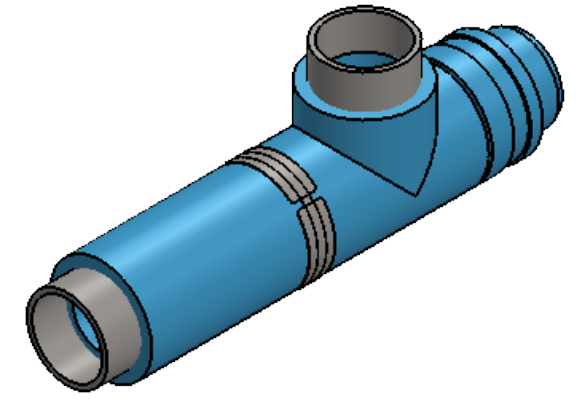
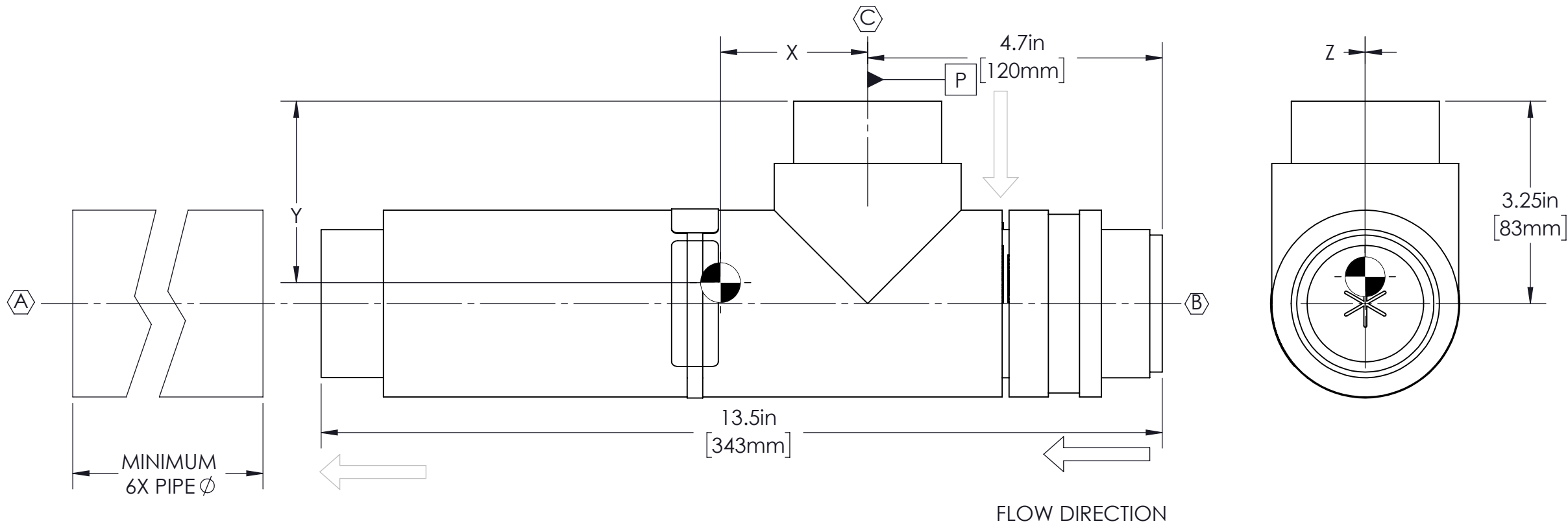


REVISION NOTES			
ECR NUMBER	RELEASE NOTES	DATE	APPROVAL
1099	UPDATE NOZZLE 2" SM	11/12/2018	KA



NOTES:

- MINIMUM STRAIGHT PIPE LENGTH WITHOUT OBSTRUCTION ON DISCHARGE SIDE TO BE 6X PIPE DIAMETER
- OLD DRAWING NUMBER: 9984000328
- READ PRODUCT MANUALS BEFORE INSTALLATION AND OPERATION
- PRODUCT DETAILS
 - SINGLE ADDITIVE SUCTION PORT
 - .75" (19.05mm) LOBESTAR MIXING NOZZLE® ORIFICE
 - 65-85 GPM MOTIVE FLOW RATE AT 100-195 FT DIFFERENTIAL HEAD (45-85 PSI DIFFERENTIAL PRESSURE WITH WATER)
 - MNP THREADED INLET AND DISCHARGE CONNECTIONS
 - URETHANE SHEAR-MIXER BODY
 - URETHANE INSERTS
 - OPERATING TEMPERATURE: -20°F TO +135°F (-29°C TO +57°C)
 - ESTIMATED WEIGHT (DRY): 4 lbs OR 1.81 kg

C.G LOCATION FROM DATUM P,Q			
CONDITION	X	Y	Z
DRY	2.20 in (56 mm)	3.10 in (79 mm)	0 in (0mm)
OPERATING	1.95 in (50 mm)	3.14 in (80 mm)	0 in (0 mm)

CUSTOMER FIELD CONNECTIONS						
MK. NO.	QUAN	SIZE	RATING	TYPE	SCHEDULE	SERVICE
A	1	2"	N/A	MNPT	N/A	BLENDED DISCHARGE
B	1	2"	N/A	MNPT	N/A	FEED INLET
C	1	2"	N/A	MNPT	N/A	SUCTION

<p>Company Confidential</p> <p>Alfa Laval Inc. 10470 Deer Trail Drive Houston, TX 77038 USA www.alfalaval.com (713) 869-2593</p> <p>This drawing and any information or descriptive material set out on it are the confidential and copyright property of Alfa Laval Inc. © and MUST NOT BE DISCLOSED, COPIED, LOANED in whole or part or used for any purpose without the written permission of Alfa Laval, Inc.</p>	<p>Tolerances: Unless Otherwise Stated: Linear Tol.: .X - = +/- .250 (6.35 mm) .XX - = +/- .188 (4.77 mm) .XXX - = +/- .125 (3.18 mm) Angular Tol.: +/- 1° All Dimensions: in</p>		<p>Workflow: Design Released to Production</p>							
	<p>Finish: N/A</p>		<p>Drawing Scale: 1:4</p>		<p>Drawn by: <i>KA</i></p>		<p>Drawn Date: <i>02/07/2017</i></p>		<p>Old Reference Number: 9984000041</p>	
	<p>Approx Weight: 4 Lbs.</p>		<p>Drawing Produced In Accordance With: ASME Y14.5M-2009</p>		<p>Engineering Approval: <i>KA</i></p>		<p>Approved Date: <i>03/28/2017</i></p>		<p>Part Number: 9984000041</p>	
	<p>Projection Method: THIRD ANGLE</p>		<p>Sheet Size: B</p>		<p>Material: SEE BOM</p>		<p>Sheet: 1 of 1</p>		<p>Drawing Number: 9984000041_SGA</p>	
									<p>Revision: F</p>	