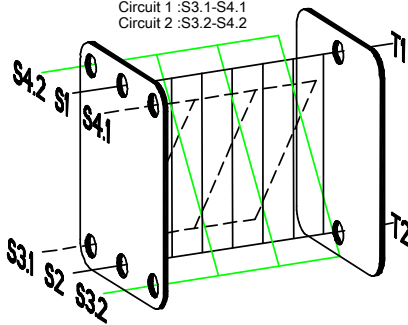


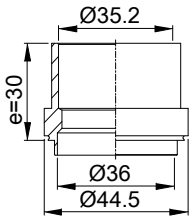
T1 T2 T3.1 T3.2 T4.1 T4.2 locations on back side correspond to S1 S2 S3.1 S3.2 S4.1 S4.2 on front side

Note that all unique customer requirements (i.e tolerance) need to be verified thru Alfa Laval.

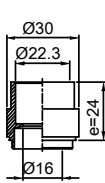
Diagonal flow type 6-ports:
Circuit 1 :S3.1-S4.1
Circuit 2 :S3.2-S4.2



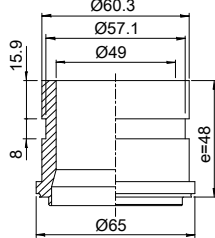
D 26
Alloy 304
S4.2, S4.1



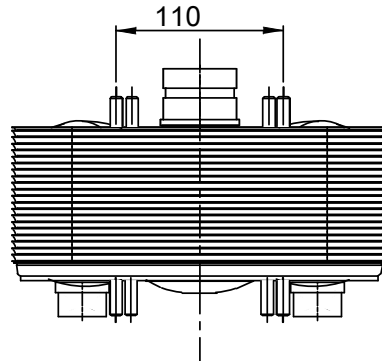
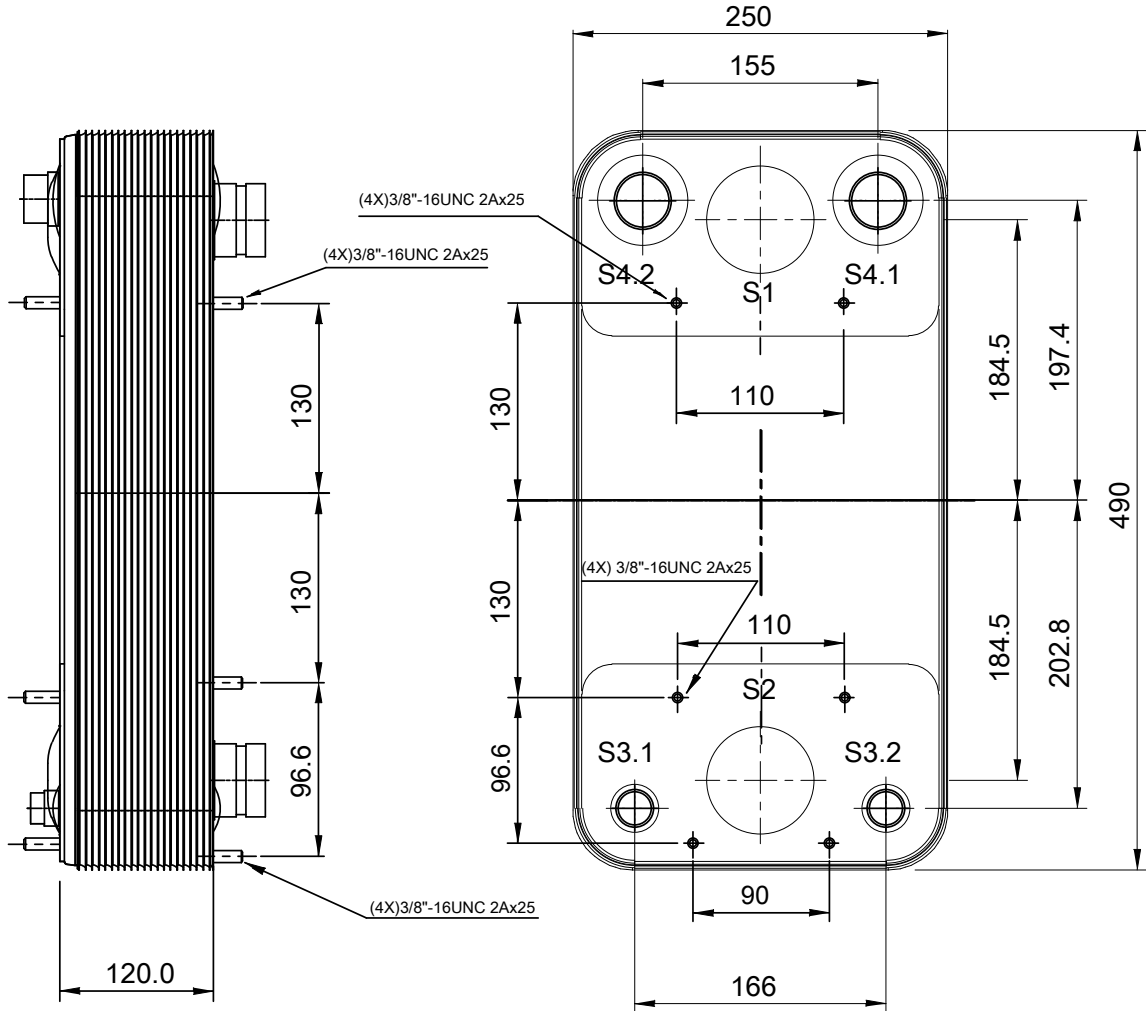
H 58
Alloy 304
S3.1, S3.2



P 32
Alloy 304
T1, T2



HEATING SURFACE
NETWEIGHT 25.2 kg
OPERATING WEIGHT kg
PLATE MATERIAL ALLOY 316
PLATE GROUPING 1*12HR|1*12HR/1*25HR



ALL DIMENSIONS IN MILLIMETERS

SIDE	MEDIA	INLET	TEMP.	OUTLET	TEMP.	FLOW RATE	PRESSURE DROP	LIQUID VOL.
1		S4.2, T2		S3.2, T1				3.90 dm ³
2		S4.1		S3.1				2.40/2.40 dm ³

PRESSURE VESSEL APPROVAL

UL/CRN

ACH-230DQ-50H-F (3287084567)

www.alfalaval.com

CUSTOMER NAME / REF. NO.

COMPANY / REF.

TOTAL LENGTH 194.0 mm
TOTAL WIDTH 250.0 mm
TOTAL HEIGHT 490.0 mm

1/15/2024
REV 0