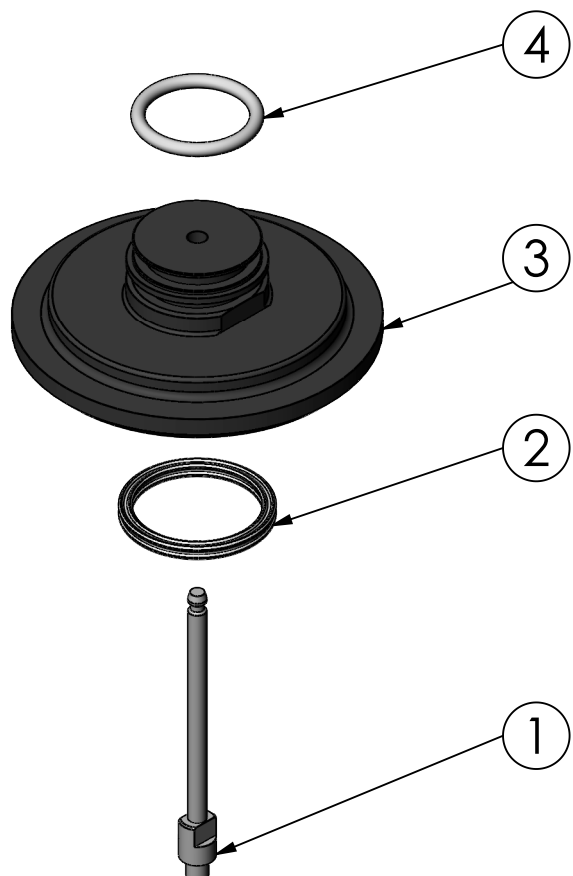
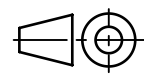



THIS DRAWING AND ALL INFORMATION SHOWN HEREON ARE EXCLUSIVE PROPERTY OF BUKKERT AND ARE SUBMITTED ONLY ON A CONFIDENTIAL BASIS. THE RECIPIENT AGREES NOT TO REPRODUCE THE DRAWING, TO RETURN IT UPON REQUEST AND THAT NO DISCLOSURE OF THE DRAWING OR THE INFORMATION HEREON WILL BE MADE TO A THIRD PARTY WITHOUT PRIOR WRITTEN CONSENT OF BUKKERT.

ITEM NO.	PART NUMBER	DESCRIPTION	QTY.
1	93540648	Pin 8691-4 AL L= 92	1
2	93536844	O-ring 34,52 x 3,53 NBR Sh70	1
3	93540644	Adapterbase 8691-4 h=45,5	1
4	93536552	O-ring 27,8 x 3,60 NBR Sh70	1



Assembly: Follow the Item Order




Version	Revision	Revision-No.	Revision Note		Date (yyyy-mm-dd)	
			Alfa-Laval Materil No.		8010015421	
<b>dimensions without tolerances</b>		Name	Date (yyyy-mm-dd)	Description <b>Adapter Kit 8692/8694 SS/SL-DN08-40</b>		
Linear Dimensions		Drawn	akj			2022-01-27
Radii		Revised				
Angles		Status				
Classification-No.		Project-No.	Model	Document	Material-No.	
					<b>93540965</b>	
				Dok.type	Lang.	
					<b>EN</b>	
				Sheet	1/1	
				format	<b>V4</b>	
					<b>SW</b>	
Scale:	Do not scale		Repl.for:	Document-Id.	Var.BOM: <input type="checkbox"/> Mass: 100 g	