



Spare Parts

ThinkTop V55



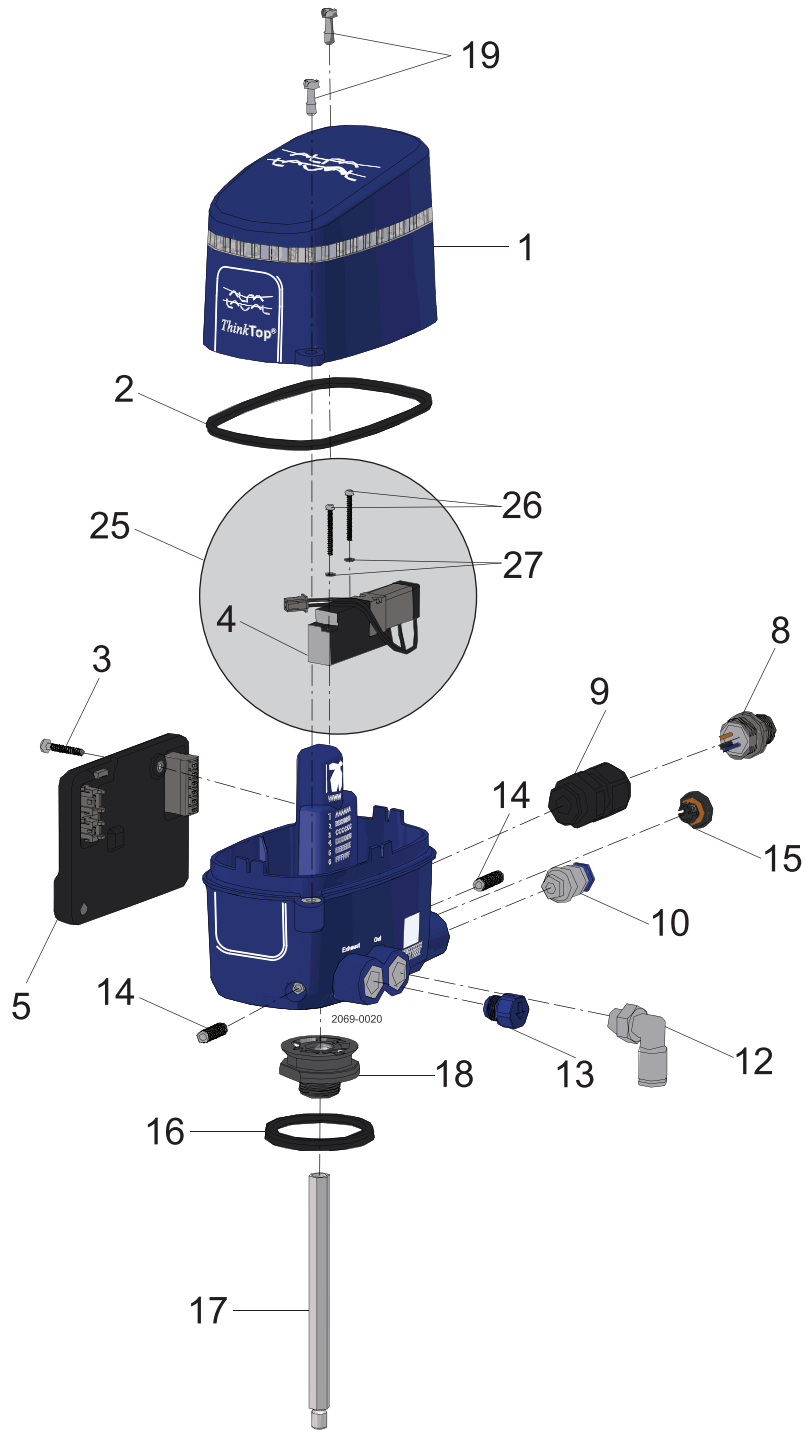
100018566-EN1

2024-09

Original manual

The information herein is correct at the time of issue but may be subject to change without prior notice

1. ThinkTop V55 Series 4



Pos	Qty	Denomination	
1	1	Top cover, complete	8010028946
2	1	Base seal	8010028942
3	1	Screw Torx 10	9611996072
4	1	Solenoid valve	
5.1	1	Control board digital	9615394901
5.2	1	Control board ASi 3.0	9615395101
5.3	1	Control board IO-link	9615395201
8.1	1	M12 plug, DIO, 8 pins/6wires	Please see note
	1	M12 plug, ASI, 4 pins/2 wires	Please see note
	1	M12 plug, IO-link, 4 pins/3 wires	Please see note
9.1	1	Cable gland, M16x1,5, Ø4,5-10	Please see note
9.2	1	Cable gland, M16x1,5, Ø2-7mm	Please see note
10.	1	Air fitting, straight, 6mm	Please see note
10.	1	Air fitting, straight, 1/4 inch	Please see note
12.	1	Air fitting angle, 6mm	Please see note
12.	1	Air fitting, anglet, 1/4 inch	Please see note
13	1	Exhaust plug	9615389001
14	2	Screw set Hex 2,5	9611996070
15	1	Gore vent	9611996065
16	1	Lip seal	8010005584
17	1	Sensor target	8010032408
18	1	Adaptor	8010028936
19	2	Screw M4 x11	9612602001
25	1	Solenoid valve kit	8010044149
26	2	Screw	
27	2	Washer	

NOTE: Further information can be found in the product catalogue "Close at Hand" under accessories.

How to contact Alfa Laval

Contact details for all countries are continually updated on our website.

Please visit www.alfalaval.com to access the information directly.

© Alfa Laval Corporate AB

This document and its contents is owned by Alfa Laval Corporate AB and protected by laws governing intellectual property and thereto related rights. It is the responsibility of the user of this document to comply with all applicable intellectual property laws. Without limiting any rights related to this document, no part of this document may be copied, reproduced or transmitted in any form or by any means (electronic, mechanical, photocopying, recording, or otherwise), or for any purpose, without the expressed permission of Alfa Laval Corporate AB. Alfa Laval Corporate AB will enforce its rights related to this document to the fullest extent of the law, including the seeking of criminal prosecution.