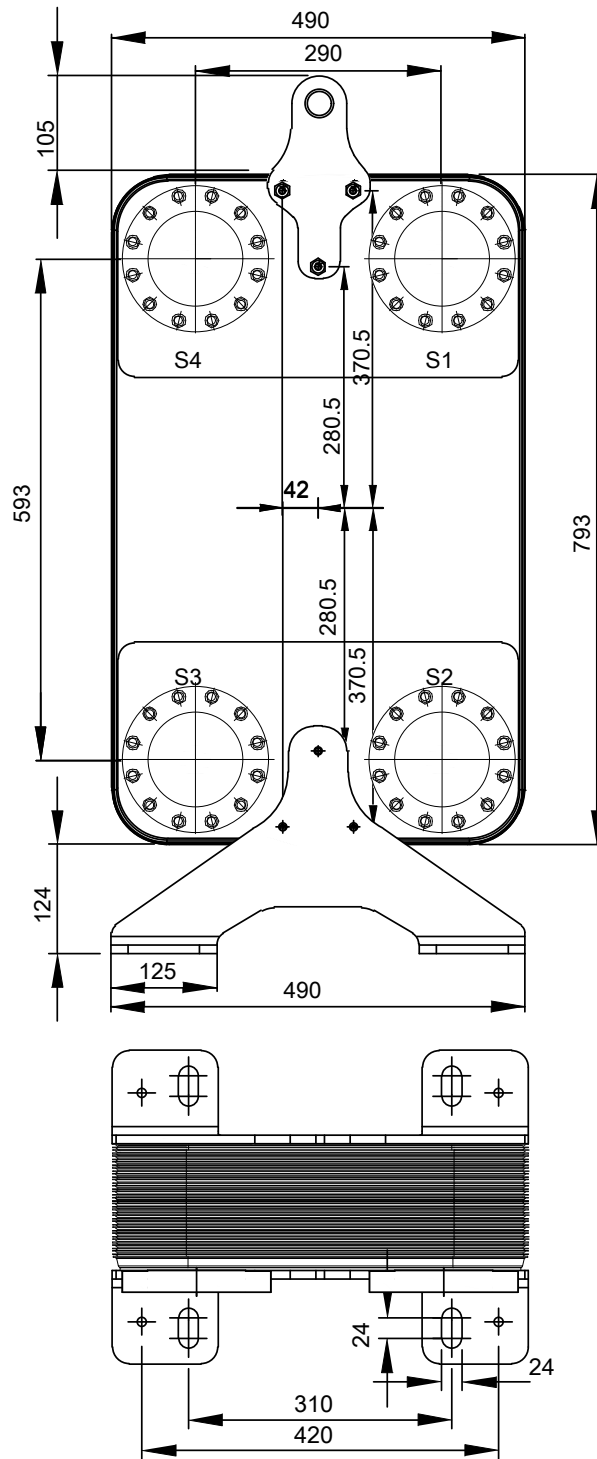
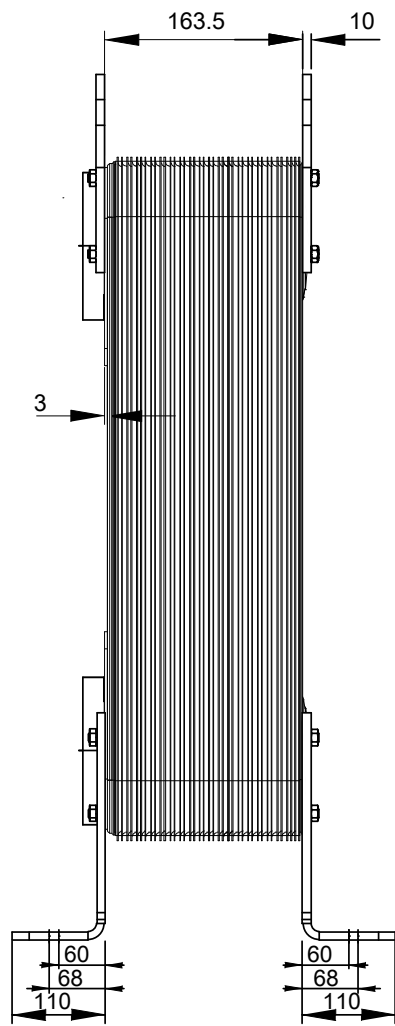
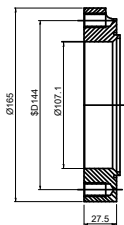


Note that all unique customer requirements (i.e tolerance) need to be verified thru Alfa Laval.

CPF100
Alloy 316
S1,S2,S3,S4



HEATING SURFACE
NETWEIGHT 118.5 kg
OPERATING WEIGHT kg
PLATE MATERIAL ALLOY 316
PLATE GROUPING 1*35AHH/1*36AHL

T1 T2 T3.1 T3.2 T4.1 T4.2 locations on back side
correspond to S1 S2 S3.1 S3.2 S4.1 S4.2 on front side

ALL DIMENSIONS IN MILLIMETERS

SIDE	MEDIA	INLET	TEMP.	OUTLET	TEMP.	FLOW RATE	PRESSURE DROP	LIQUID VOL.
1		S1		S2				10.1 dm ³
2		S3		S4				9.80 dm ³

PRESSURE VESSEL APPROVAL PED

CB410-72AH-F (3075032333)

www.alfalaval.com

CUSTOMER NAME / REF. NO.

TOTAL LENGTH 383.5 mm
TOTAL WIDTH 490.0 mm
TOTAL HEIGHT 1022.0 mm

COMPANY / REF.



4/16/2024
REV 0