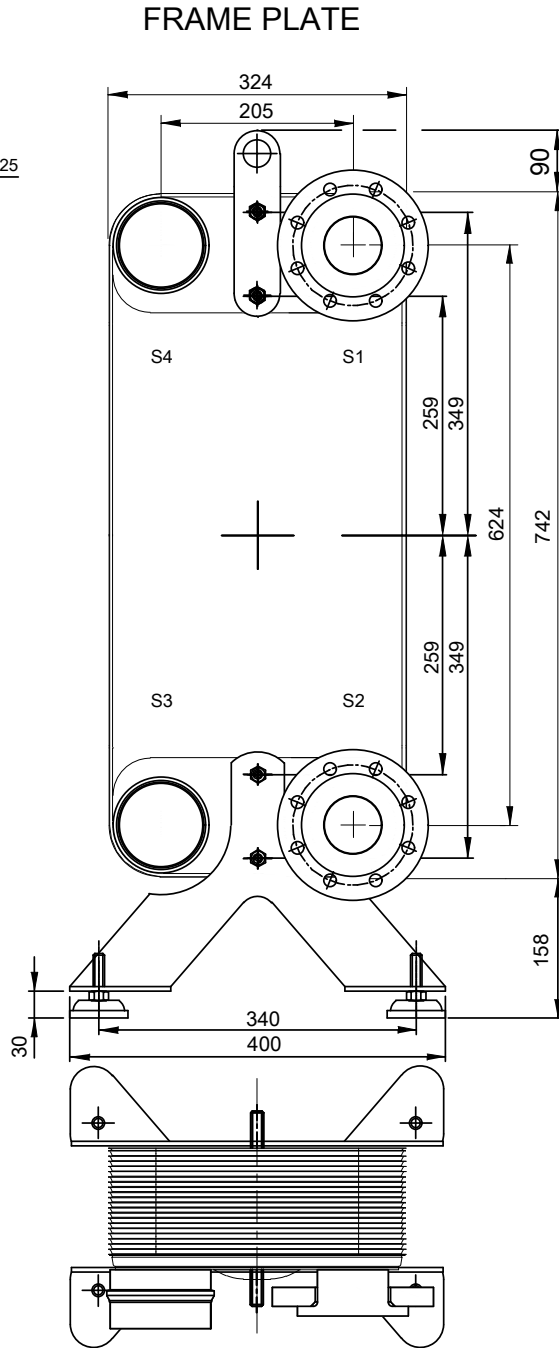
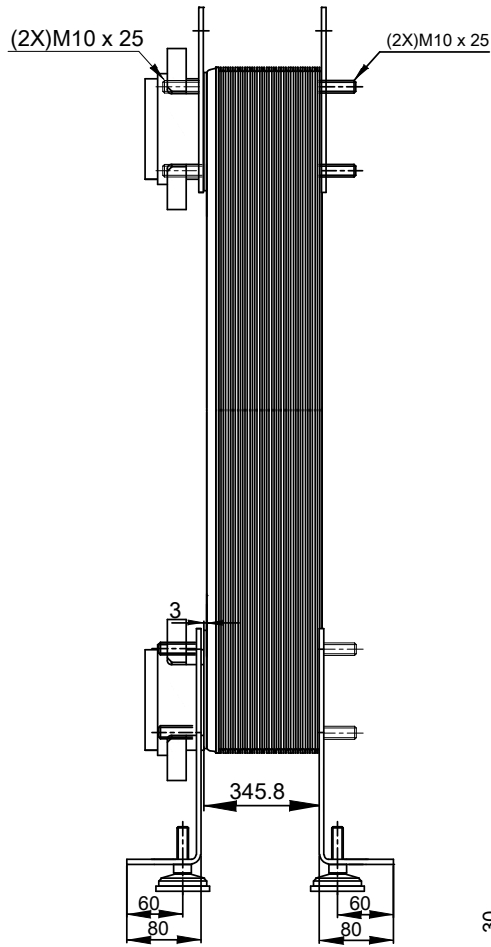
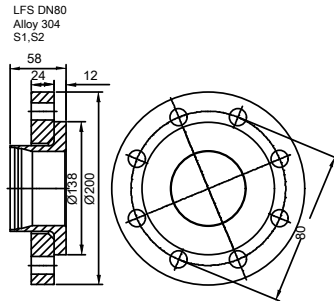
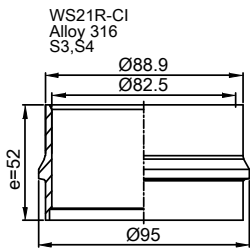


Note that all unique customer requirements (i.e tolerance) need to be verified thru Alfa Laval.



HEATING SURFACE  
NETWEIGHT 98.2 kg  
OPERATING WEIGHT kg  
PLATE MATERIAL ALLOY 316  
PLATE GROUPING 1\*61H/1\*62H

T1 T2 T3 T4 locations on back side correspond to S1 S2 S3 S4 on front side

ALL DIMENSIONS IN MILLIMETERS

SIDE	MEDIA	INLET	TEMP.	OUTLET	TEMP.	FLOW RATE	PRESSURE DROP	LIQUID VOL.
1		S1		S2				31.6 dm <sup>3</sup>
2		S3		S4				31.1 dm <sup>3</sup>



PRESSURE VESSEL APPROVAL

PED/UK

CB200-124H (3287073398)

www.alfalaval.com

CUSTOMER NAME / REF. NO.

TOTAL LENGTH 505.8 mm  
TOTAL WIDTH 324.0 mm  
TOTAL HEIGHT 990.0 mm

COMPANY / REF.



1/15/2024  
REV 0