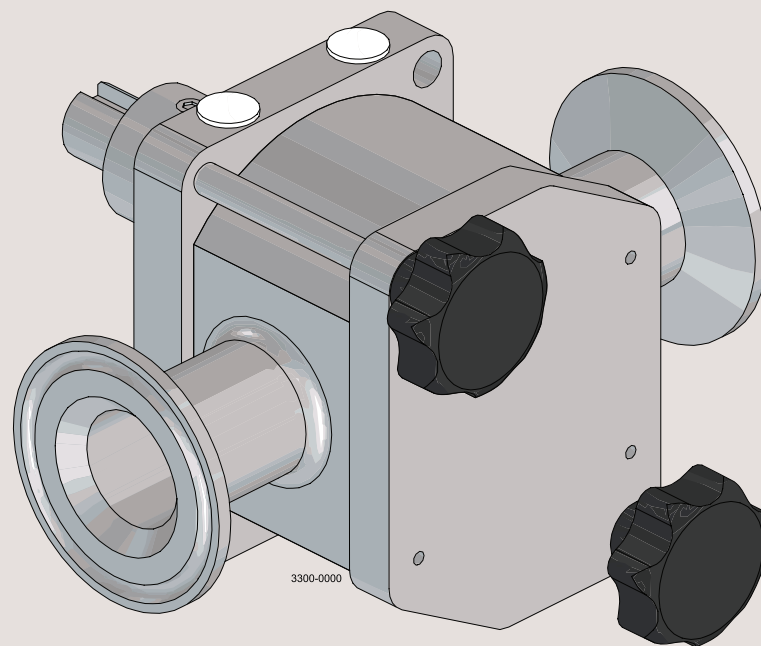




Spare Parts

Alfa Laval M Gear Pump



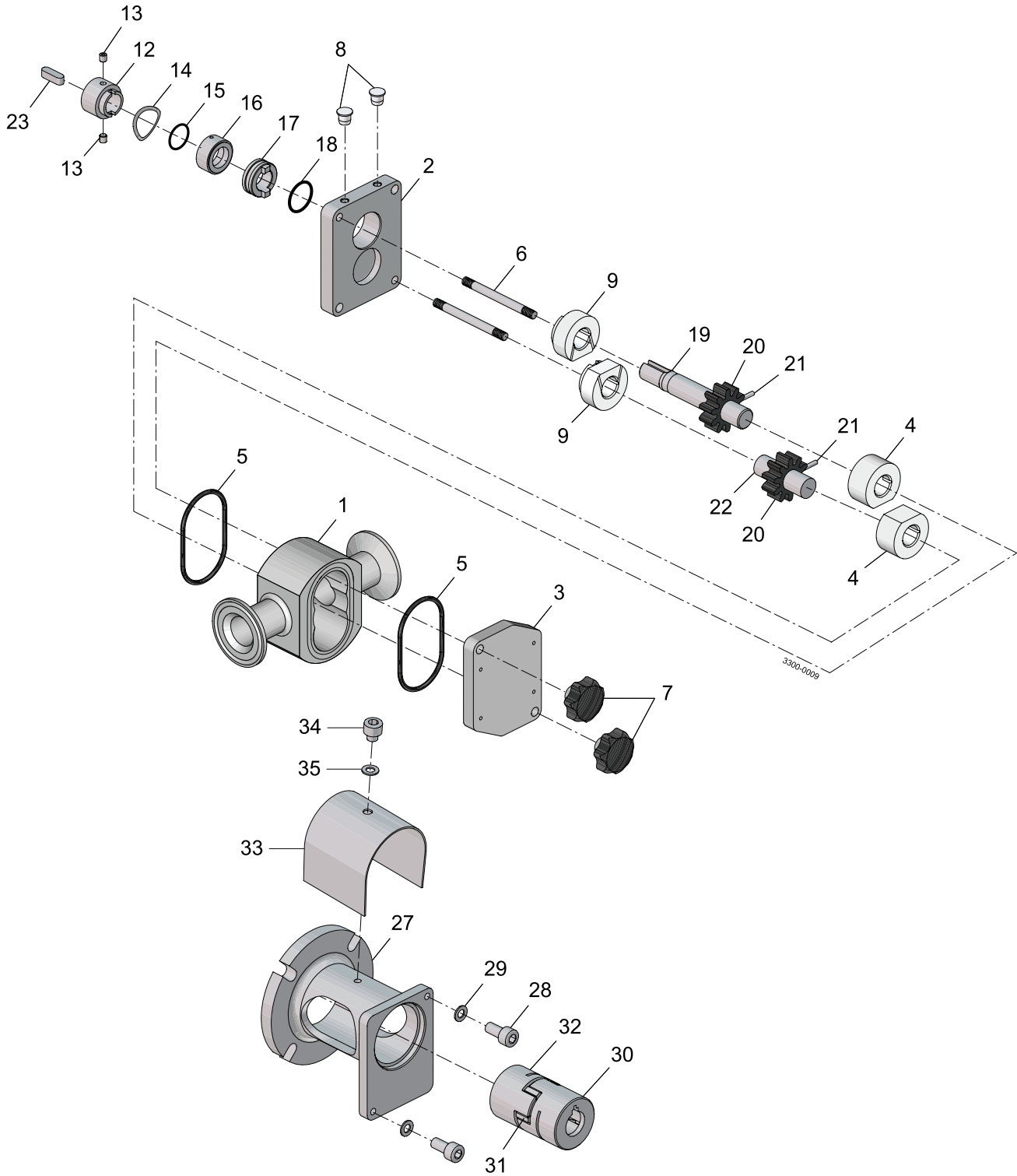
100016526-EN2

2024-02

Original manual

The information herein is correct at the time of issue but may be subject to change without prior notice

1. M Gear Pump 4



Pos	Qty	Denomination	M200	M210	M220
1	1	Body, DIN11851 1" / 25mm	9630038546	9630038546	9630038560
	1	Body, Triclam 1" / 25mm	9630038547	9630038547	9630038561
	1	Body, SMS 1" / 25mm	9630038548	9630038548	9630038562
	1	Body, BSP Femal 1/2" / 12mm	9630038551	9630038551	9630038462
	1	Body, No Thread	9630038588	9630038588	9630038589
2	1	Back Plate, Standard	9630038591	9630038591	9630038591
3	1	Cover	9630038499	9630038499	9630038499
4	2	Bush, Front – 60oC	9630038511	9630038512	9630038511
5	2	Joint Ring, NBR	9630038925	9630038925	9630038925
	2	Joint Ring, FPM	9630038926	9630038926	9630038926
	2	Joint Ring, EPDM	9630038927	9630038927	9630038927
6	2	Stud	9630038983	9630038983	9630038984
7	2	Nut, Quick Release	9630018692	9630018692	9630018692
8	2	Plug, foot mounting back plate	9630039003	9630039003	9630039003
9	2	Bush, Rear – 60oC	9630038514	9630038515	9630038514
12	1	Spring Retainer	9630038298	9630038298	9630038298
13	2	Screw	9630024658	9630024658	9630024658
14	1	Wave Spring	9630038300	9630038300	9630038300
15	1	O-ring, NBR	9630018762	9630018762	9630018762
	1	O-ring, FPM	9630038918	9630038918	9630038918
	1	O-ring, EPDM	9630038919	9630038919	9630038919
16	1	Rotary Seal Ring, Carbon – For SS/C Seal Only	9630038301	9630038301	9630038301
	1	Rotary Seal Ring, SiC – For SiC/SiC Seal Only	9630038302	9630038302	9630038302
17	1	Static Seat, St. Stl – For SS/C Seal Only	9630026543	9630026543	9630026543
	1	Static Seat, SiC – For SiC/SiC Seal Only	9630038533	9630038533	9630038533
18	1	O-ring, NBR	9630038922	9630038922	9630038922
	1	O-ring, FPM	9630023411	9630023411	9630023411
	1	O-ring, EPDM	9630038923	9630038923	9630038923
19, 20, 21	1	Drive Shaft/Gear Assembly, SS/PTFE Gear	9630038576	9630038580	9630038584
19, 20, 22	1	Drive Shaft/Gear Assembly, SS Plain Gear	9630951564	9630935422	9630933945
	1	Auxiliary Shaft/Gear Assembly, SS/PTFE Gear	9630038526	9630038295	9630038529
23	1	Auxiliary Shaft/Gear Assembly, SS Plain Gear	9630951563	9630935419	9630933946
27	1	Key, Drive Shaft	9630040444	9630040444	9630040444
	1	Flange Bracket, Frame D71 Motor	9630934728	-	-
	1	Flange Bracket, Frame D80 Motor	9630934730	9630934730	9630934730
28	2	Screw	9630024601	9630024601	9630024601
29	2	Washer	9630030121	9630030121	9630030121
30	1	Coupling Hub, Pump Side	9630934699	9630934699	9630934699
31	1	Coupling Spider, D71	9630934701	-	-
	1	Coupling Spider, D80	9630934702	9630934702	9630934702
32	1	Coupling Hub, Motor Side – D71	9630934699	-	-
	1	Coupling Hub, Motor Side – D80	9630934700	9630934700	9630934700
33	1	Guard	9630099884	9630099884	9630099884
34	1	Screw	9630027365	9630027365	9630027365
35	1	Washer	9630030121	9630030121	9630030121

Quantities shown are for complete pump (1 seal per pump)

Complete Mechanical Seal

■	1	Complete Mechanical Seal, SS/C, NBR	9630881119	9630881119	9630881119
■	1	Complete Mechanical Seal, SS/C, FPM	9630020055	9630020055	9630020055
■	1	Complete Mechanical Seal, SS/C, EPDM	9630020600	9630020600	9630020600
■	1	Complete Mechanical Seal, SiC/SiC, NBR	9630881125	9630881125	9630881125
■	1	Complete Mechanical Seal, SiC/SiC, FPM	9630038735	9630038735	9630038735
■	1	Complete Mechanical Seal, SiC/SiC, EPDM	9630038736	9630038736	9630038736

M200 M210 M220

Service kits for mechanical seal

□	Seal Service Kit, SS/C, NBR	9630045505	8010035316	9630045505
□	Seal Service Kit, SS/C, FPM	9630020077	8010035325	9630020077
□	Seal Service Kit, SS/C, EPDM	9630025972	8010035326	9630025972
□	Seal Service Kit, SiC/SiC, NBR	9630072628	8010035327	9630072628
□	Seal Service Kit, SiC/SiC, FPM	9630038737	8010035328	9630038737
□	Seal Service Kit, SS/SiC, EPDM	9630045505	8010035329	9630045505

How to contact Alfa Laval

Contact details for all countries are continually updated on our website.

Please visit www.alfalaval.com to access the information directly.

© Alfa Laval Corporate AB

This document and its contents is owned by Alfa Laval Corporate AB and protected by laws governing intellectual property and thereto related rights. It is the responsibility of the user of this document to comply with all applicable intellectual property laws. Without limiting any rights related to this document, no part of this document may be copied, reproduced or transmitted in any form or by any means (electronic, mechanical, photocopying, recording, or otherwise), or for any purpose, without the expressed permission of Alfa Laval Corporate AB. Alfa Laval Corporate AB will enforce its rights related to this document to the fullest extent of the law, including the seeking of criminal prosecution.