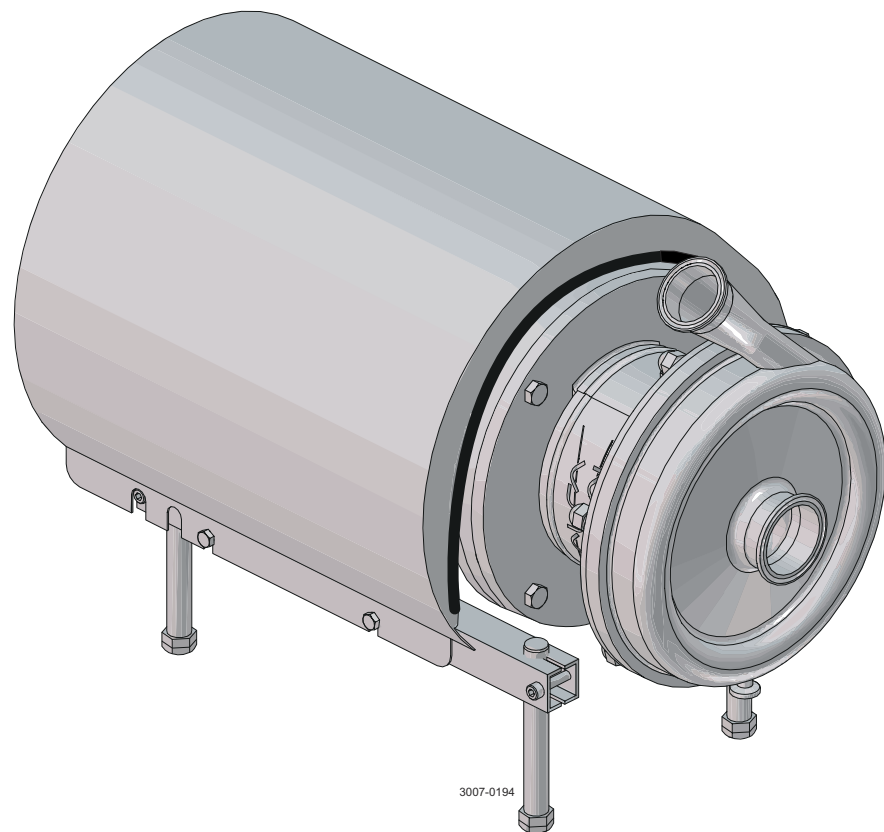


# Alfa Laval LKH UltraPure

Centrifugal pumps

---



Lit. Code

200007903-2-EN-GB

Instruction Manual

**Published by**  
Alfa Laval Kolding A/S  
Albuen 31  
DK-6000 Kolding, Denmark  
+45 79 32 22 00

**The original instructions are in English**

**© Alfa Laval AB 2026-03**

This document and its contents are subject to copyrights and other intellectual property rights owned by Alfa Laval AB (publ) or any of its affiliates (jointly "Alfa Laval"). No part of this document may be copied, re-produced or transmitted in any form or by any means, or for any purpose, without Alfa Laval's prior express written permission. Information and services provided in this document are made as a benefit and service to the user, and no representations or warranties are made about the accuracy or suitability of this information and these services for any purpose. All rights are reserved.

---

# Contents

<b>1</b>	<b>Declarations of Conformity</b>	<b>5</b>
1.1	EU Declaration of Conformity	5
1.2	UK Declaration of Conformity	6
<b>2</b>	<b>Safety</b>	<b>7</b>
2.1	Important Information	7
2.2	Safety Signs	8
2.3	Safety Precautions	10
2.4	Warning Signs in Text	15
2.5	Requirements of Personnel	16
2.6	Recycling Information	17
<b>3</b>	<b>Introduction</b>	<b>19</b>
<b>4</b>	<b>Installation</b>	<b>21</b>
4.1	Unpacking/Delivery	21
4.2	Installation	23
4.3	Pre-use Check	29
4.4	General Installation Guidelines	30
<b>5</b>	<b>Operation</b>	<b>33</b>
5.1	Operation/Control	33
5.2	Troubleshooting	36
5.3	Recommended Cleaning	37
5.3.1	Cleaning Information	38
<b>6</b>	<b>Maintenance</b>	<b>39</b>
6.1	General Maintenance	39
6.2	Cleaning Procedure	41
6.3	Dismantling of Pump/Shaft Seals	42
6.4	Assembly of Pump/Single Shaft Seal	46
6.5	Assembly of Pump/Double Mechanical Shaft Seal	49
6.6	Assembly of Flushing Set - if not supplied with pump	54
6.7	Adjustment of Shaft	56
<b>7</b>	<b>Technical Data</b>	<b>59</b>
7.1	Technical Data	59
7.2	Operating Data	60
7.3	Relubrication Intervals	60
7.4	Torque Specifications	61
7.5	Weight (kg)	61

7.6	Noise Emission.....	62
<b>8</b>	<b>Spare Parts.....</b>	<b>63</b>
8.1	Ordering Spare Parts.....	63
8.2	Alfa Laval Service.....	63
8.3	Warranty - Definition.....	64
<b>9</b>	<b>Parts Lists and Exploded Views.....</b>	<b>65</b>
9.1	LKH UltraPure -10, -20, -25, -35, -40, -45, -60, -70.....	65
9.2	LKH UltraPure - Product wetted parts.....	66
9.3	LKH UltraPure - Motor dependent parts.....	68
9.4	LKH UltraPure - Shaft seal.....	70

# 1 Declarations of Conformity

## 1.1 EU Declaration of Conformity

### The designated company

Alfa Laval Kolding A/S, Albuen 31, DK-6000 Kolding, Denmark, +45 79 32 22 00

Company name, address and phone number

### Hereby declare that

Pump

Designation

LKH UP-10, LKH UP-20, LKH UP-25, LKH UP-35, LKH UP-40, LKH UP-45, LKH UP-60, LKH UP-70

Type

AAB000000001-AAB999999999, AAX000000001-AAX999999999, 10.000-1.000.000, 100700000001-100799999999

Serial number

is in conformity with the following directives with amendments:

- Machinery Directive 2006/42/EC
- RoHS Directive 2011/65/EU and amendments

The person authorised to compile the technical file is the signer of this document.

Vice President BU Hygienic Fluid Handling

Head of Product Management

Title

Mikkel Nordkvist

Name

Kolding, Denmark

Place

2025-08-01

Date (YYYY-MM-DD)



Signature

DoC Revison\_ 01\_082025 / This Declaration of Conformity replaces Declaration of Conformity dated 2022-10-01



## 1.2 UK Declaration of Conformity

### The designated company

Alfa Laval Kolding A/S, Albuen 31, DK-6000 Kolding, Denmark, +45 79 32 22 00

Company name, address and phone number

### Hereby declare that

Pump

Designation

LKH UP-10, LKH UP-20, LKH UP-25, LKH UP-35, LKH UP-40, LKH UP-45, LKH UP-60, LKH UP-70

Type

AAB000000001-AAB999999999, AAX000000001-AAX999999999, 10.000-1.000.000, 100700000001-100799999999

Serial number

is in conformity with the following directives with amendments:

- The Supply of Machinery (Safety) Regulations 2008
- The Restriction of the Use of Certain Hazardous Substances in Electrical and Electronic Equipment Regulations 2012

Signed on behalf of: Alfa Laval Kolding A/S.

Vice President BU Hygienic Fluid Handling  
Head of Product Management

Title

Mikkel Nordkvist

Name

Kolding, Denmark

Place

2025-08-01

Date (YYYY-MM-DD)





Signature

DoC Revison\_ 02\_082025



## 2 Safety

### Read this first

 	<p>This Instruction Manual is designed for operators and service engineers working with the supplied Alfa Laval product.</p> <p>Operators must read and understand the <b>Safety, Installation and Operating</b> instructions of the supplied Alfa Laval product before carrying out any work or before you put the supplied Alfa Laval product into service!</p> <p>Not following the instructions can result in serious accidents.</p> <p>This documentation describes the authorized way to use the supplied Alfa Laval product. Alfa Laval will take no responsibility for injury or damage if the equipment is used in any other way.</p> <p>This Instruction Manual is designed to provide the user with the information to perform tasks safely for all phases in the lifetime of the supplied Alfa Laval product.</p> <p>The operator shall always read the chapter <b>Safety</b> first. Hereafter the operator can skip to the relevant section for the task to be carried out or for the information needed.</p> <p><b>Always</b> read the chapter <b>Technical Data</b> thoroughly.</p> <p>This is the complete Instruction Manual for the supplied Alfa Laval product.</p>
---	--

#### NOTE

The illustrations and specifications in this Instruction Manual were effective at the date of printing. However, as continuous improvements are our policy, we reserve the right to alter or modify the Instruction Manual without prior notice or any obligation.

The English version of the Instruction Manual is the original manual. Alfa Laval cannot be held responsible for incorrect translations. In case of doubt, the English version applies.

### 2.1 Important Information

#### NOTE

**Always** read the manual before using the pump!

This Instruction Manual is designed to provide the user with the information to perform tasks safely for all phases in the life time of the product supplied.

The User shall **always** read the safety chapter first. Hereafter the User can skip to the relevant section for the task to be carried out or for the information needed.

This is the complete manual for the supplied product.

## 2.2 Safety Signs

### Mandatory Action Signs

	General mandatory action sign.
	Refer to instruction manual.
	Use ear protection in noisy environments - noise protector.
	Use eye protection - safety glasses.
	Wear protective equipment - safety shoes.
	Use protective hand wear - safety gloves.
	Wear protective equipment - safety helmet.


## Warning Signs

	General warning.
	Electricity.
	Transportation with forklift truck or other industrial vehicles if heavy.
	Heavy object lifting.
	Hot surface and burning danger.
	Sharp element.
	Crushing of hands.
	Corrosive substance.






## 2.3 Safety Precautions

All warnings in the manual are summarised on this page. Pay special attention to the instructions below so that severe personal injury and/or damage to the Supplied Alfa Laval Product is avoided.





### General



	<p>Technical data must be observed during installation, operation and maintenance.</p> <p>All personnel should be informed about the technical data.</p> <p>The rules of Intended use are absolute. Use of the supplied Alfa Laval product is allowed only when in compliance with the technical data supplied with the Intended use.</p> <p>Differing utilisation, other than agreed with Alfa Laval Kolding A/S, exclude any liability and warranty.</p> <p>No modification or alteration of the supplied Alfa Laval product is allowed, unless explicit permission is granted by Alfa Laval Kolding A/S.</p>
---	---

### Transportation and Lifting





  	<p><b>Never</b> lift or elevate in any way other than described in this manual.</p> <p><b>Always</b> use the original packaging or similar during transportation.</p> <p><b>Always</b> ensure that personnel must have experience with lifting operations.</p> <p><b>Always</b> transport the pump in its upright position.</p> <p><b>Always</b> drain the pump head and accessories of any liquid.</p>
 	<p><b>Always</b> ensure that the unit is securely fixed during transportation.</p> <p><b>Always</b> ensure the lifting point to be in line with center of gravity. Adjust lifting point if necessary.</p> <p><b>Always</b> use suitable transport device ie. forklift or pallet lifter.</p> <p><b>Always</b> use appropriate lifting equipment for heavy parts when relevant.</p> <p><b>Always</b> keep an eye on the load and stay clear during the lifting operation.</p>

## Installation


	<p>If the local safety regulations prescribe that the installation has to be inspected and approved by responsible authorities before the supplied Alfa Laval product is put into service, consult with such authorities before installing the equipment and have the projected installation approved by them.</p> <p><b>Always</b> read the <i>Technical Data</i> on page 59 thoroughly.</p> <p><b>Always</b> check the pump before operation. See <i>Pre-use Check</i> on page 29.</p> <p>Check the direction of rotation of the impeller before operation. See the indication label on the pump.</p> <p><b>Always</b> remove the impeller before checking the direction of rotation.</p> <p>Stay clear and ensure no one is near the shaft during test of rotation.</p> <p><b>Never</b> start in the wrong direction of rotation with liquid in the pump.</p> <p>The large pump sizes are very heavy. <b>Always</b> use appropriate lifting equipment when handling the pump.</p> <p>Alfa Laval cannot be held responsible for incorrect unpacking.</p> <p>Alfa Laval cannot be held responsible for incorrect installation.</p> <p>Be aware that certain pump configurations can tilt, and therefore cause injuries to feet or fingers. The pump should be supported underneath the adaptor, when not installed in the process line.</p> <p>In case of shaft seal leakage, the media will drip from the slot in the bottom of the adaptor. In case of shaft seal leakage, Alfa Laval recommends putting a drip tray underneath the slot to collect the leakage.</p> <p>The 3A standard requires minimum clearance between the lowest part of the base, pump, motor or drive and for the floor to be no less than 100 mm / 4".</p> <p>The pump does not prevent back flow when intentionally or unintentionally stopped. If back flow can cause any hazardous situations, precautions must be taken e.g. a check valve can be installed in the system preventing hazardous situations.</p> <p>If the pump has been stored for longer period of time there is a risk that the seal faces may stick together and consequently cause damage to the seal at start-up. Please ensure that the pump shaft can be rotated by hand before start-up.</p>
	<p><b>Never</b> start the pump if the impeller is fitted and the pump casing is removed.</p>
	<p><b>Always</b> use a lifting crane when handling the pump.</p>
	<p><b>Always</b> ensure all pipe lines (product, air, and water) are depressurized and emptied before installation, inspection, assembling and disassembling.</p>




	<p><b>Always</b> have the pump electrically connected by authorised personnel. (See the motor instructions).</p> <p>Alfa Laval recommends the installation of a lockable repair breaker. If the repair breaker is to be used as an emergency stop, the colours of the repair breaker must be red and yellow.</p> <p>Alfa Laval recommends the supply disconnecting device shall be in accordance with EN60204-1. Always disconnect the supply disconnecting device safely after installation before continuing the installation.</p>
	<p><b>Always</b> ensure the adaptor shield and motor fan guard are present and mounted correctly and allow no access to rotating parts before installing and starting the pump.</p>

## Operation

	<p><b>Always</b> read the <i>Technical Data</i> on page 59 thoroughly.</p> <p><b>Never</b> run the pump when partially installed or not completely assembled.</p> <p><b>Necessary</b> precautions must be taken if leakage occurs as this can lead to hazardous situations.</p> <p><b>Never</b> use the pump for products not mentioned in the Alfa Laval pump selection program.</p> <p>The Alfa Laval pump selection program can be acquired from your local Alfa Laval sales company.</p> <p>Study the instructions carefully and pay special attention to the warnings!</p> <p>Alfa Laval cannot be held responsible for incorrect operation/control.</p> <p>The shaft seal must not run dry.</p> <p><b>Never</b> throttle the inlet side.</p> <p>The supplied product is designed for cleaning in place (CIP). Use clean water free from chlorides.</p>
	<p><b>Never</b> run the pump with both the suction side and the pressure side blocked.</p>
	<p><b>Never</b> touch the supplied product or the pipelines when processing hot liquids or sterilizing.</p> <p>If pumps are sterilised using steam, standard 3A requires the process system to be designed to automatically shut down if the product pressure in the system becomes less than of the atmosphere and it cannot be started until the system is re-sterilised.</p>
	<p><b>Always</b> follow the instructions in the safety data sheet for the cleaning agent.</p> <p><b>Always</b> handle lye and acid with great care.</p> <p>The cleaning agents must be stored/disposed of in accordance with current regulations and directives.</p> <p><b>Always</b> rinse well with clean water after the cleaning.</p>

## Maintenance

	<p>In order to optimise the operation of the supplied Alfa Laval product and to minimize the down time due repair activities, the maintenance should consist of:</p> <ul style="list-style-type: none"> <li>• Inspection and maintenance of the supplied Alfa Laval product: strictly follow the technical documentation</li> <li>• <b>Preventive maintenance:</b> visual inspection of the supplied Alfa Laval product followed by necessary adjustments and planned periodic replacement of wear and tear parts</li> <li>• <b>Repairs:</b> unscheduled break-down of a component, often causing the system to stop. Damaged components shall be replaced or repaired</li> <li>• <b>Stock of Alfa Laval genuine spare parts:</b> Alfa Laval recommend keeping a stock of genuine spare parts facilitating preventive maintenance and reducing down time in case of unplanned break-downs</li> </ul> <p><b>Always</b> read the <i>Technical Data</i> on page 59 thoroughly.</p> <p><b>Never</b> service the pump if pressurised.</p> <p><b>Always</b> use Alfa Laval genuine spare parts.</p> <p><b>Motors with grease nipples:</b></p> <p><b>Always</b> lubricate according to motor manufactures recommended procedures.</p> <p><b>Always</b> locate and remove grease vent plugs, if provided, prior to adding grease.</p> <p><b>Always</b> check motor nameplate for grease type and lubrication intervals.</p> <p>Only use the grease type specified on the motor name plate.</p> <p>For Motor Maintenance, see motor instruction manual.</p> <p>Maintain the pump carefully.</p> <p>Study the instructions carefully and pay special attention to the warnings!</p> <p><b>Always</b> keep spare shaft seals and rubber seals in stock.</p> <p>Check the pump for smooth operation after service.</p> <p>All scrap must be stored/disposed of in accordance with current regulations and directives.</p> <p>If the pump is supplied with FEP O-rings. Alfa Laval recommends that the casing O-ring is replaced during pump maintenance.</p> <p>If pump is not supplied with flush connections, the holes in the adaptor must be covered by the guard.</p>
---	--

	<p><b>Never</b> service the pump when it is hot.</p>
	<p><b>Always</b> disconnect the power supply when servicing the pump.</p> <p>Fit the electrical connections correctly if they have been removed from the motor during service.</p>
	<p><b>Always</b> follow the instructions in the safety data sheets from the suppliers of cleaning agents, detergents, oils etc.</p> <p><b>Always</b> follow the instructions in the safety data sheet for the cleaning agent.</p>

## Storage



### Alfa Laval recommend:

- Store the supplied Alfa Laval product as supplied in original packaging
- Port opening(s) should be protected against any ingress
- Bare steel (not stainless) should be lightly oiled/greased
- Store in a clean, dry place without direct sunlight or UV light
- Temperature range -5 °C to +40 °C / +23 °F to +104 °F
- Relative humidity less than 60%
- No exposure to corrosive substances (including contained air)

## Noise



Under certain operating conditions, the supplied Alfa Laval product and/or the systems in which they are installed can produce high sound pressure levels. Appropriate noise protection measures should be taken when necessary and in accordance with local legislation.

## Safety check



A visual inspection of any protective device (shield, guard, cover or other) on the supplied Alfa Laval product shall be carried out at least every 12 months. If the protective device is lost or damaged, especially when this leads to deterioration of safety performance, it shall be replaced. The fixing of the protective device should only be replaced with fixings of the same or an equivalent type.

### Inspection acceptance criteria:

- It should not be possible to reach moving parts originally protected by a protective device
- The protective device must be securely mounted
- Ensure that screws for the protective device are securely tightened

### Procedure in case of non-acceptance:

- Fix and/or replace the protective device

## 2.4 Warning Signs in Text

Pay attention to the safety instructions in this Instruction Manual.

Below are definitions of the four grades of warning signs used in the text where there is a risk for injury to personnel or damage to the supplied Alfa Laval product.

 **DANGER**

Indicates an imminently hazardous situation which, if not avoided, will result in death or serious injury.

 **WARNING**

Indicates a potentially hazardous situation which, if not avoided, could result in death or serious injury.

 **CAUTION**

Indicates a potentially hazardous situation which, if not avoided, may result in minor or moderate damage to the supplied Alfa Laval product.

 **NOTE**

Indicates important information to simplify or clarify procedures.

## 2.5 Requirements of Personnel

### **Operators**

The operators shall read and understand this Instruction Manual.

### **Maintenance personnel**

The maintenance personnel shall read and understand this Instruction Manual. The maintenance personnel or technicians shall be skilled within the field required to carry out the maintenance work safely.

### **Trainees**

Trainees can perform tasks under the supervision of an experienced employee.

### **People in general**

The public shall not have access to the supplied Alfa Laval product.

In some cases, specially skilled personnel may need to be hired (i.e. electricians, welders). In some cases the personnel has to be certified according to local regulations with experience of similar types of work.

## 2.6 Recycling Information

### Unpacking

Packing material may consist of wood, plastics, cardboard boxes and in some cases metal straps.



- Wood and cardboard boxes can be reused, recycled or used for energy recovery
- Plastics should be recycled or burnt at a licensed waste incineration plant
- Metal straps should be sent for material recycling

### Maintenance

During maintenance, oil (if used) and wear parts in the supplied Alfa Laval product should be replaced.

- Oil and all non-metal wear parts must be disposed of in accordance with local regulations
- Rubber and plastics should be burnt at a licensed waste incineration plant. If not available they should be disposed of in accordance with local regulations
- Bearings and other metal parts should be sent to a licensed handler for material recycling
- Seal rings and friction linings should be disposed of to a licensed land fill site. Check your local regulations
- All metal parts should be sent for material recycling
- Worn out or defected electronic parts should be sent to a licensed handler for material recycling

### Scrapping

At end of use, the equipment must be recycled in accordance with the relevant local regulations. Besides the equipment itself, any hazardous residues from the process liquid must be considered and dealt with in a proper manner. When in doubt, or in the absence of local regulations, please contact your local Alfa Laval sales company.

### How to contact Alfa Laval

Contact details for all countries are continually updated on our website.

Please visit [www.alfalaval.com](http://www.alfalaval.com) to access the information directly.

This page is intentionally left blank.

---

## 3 Introduction

The Alfa Laval LKH UltraPure Centrifugal Pump is designed for use in high-purity applications where high efficiency, exceptional cleanability, contamination safety, robust design and low maintenance are of paramount importance. With verified cleanability, these pumps provide unobstructed product flow, very low NPSH requirements and excellent hydraulic efficiency.

Precision-engineered, the LKH UltraPure pump delivers greater energy efficiency than similar pumps. Its optimized design, premium motor, tight tolerances and advanced impeller design minimize recirculation and reduce energy consumption.

This page is intentionally left blank.

## 4 Installation

### 4.1 Unpacking/Delivery

#### WARNING

Be aware that certain pump configurations can tilt, and therefore cause injuries to feet or fingers. The pump should be supported underneath the adaptor, when not installed in the process line.

#### CAUTION

Alfa Laval cannot be held responsible for incorrect unpacking.

**Always** use a lifting crane when handling the pump.

#### NOTE

The large pump sizes are very heavy. **Always** use appropriate lifting equipment when handling the pump.

#### Check the delivery for:

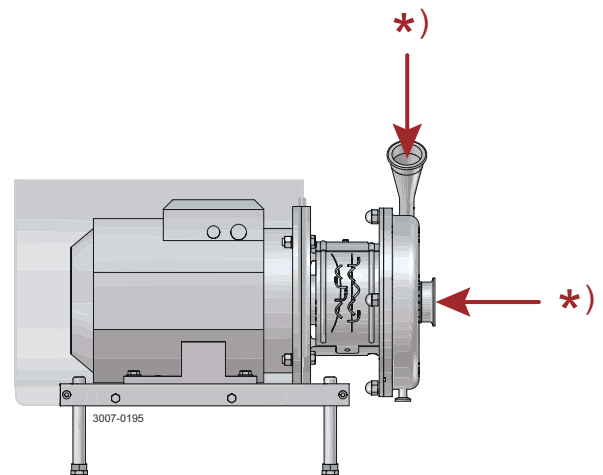
- Complete pump
- Delivery note
- Motor instructions

- 1 Remove any packing materials from the inlet and the outlet.

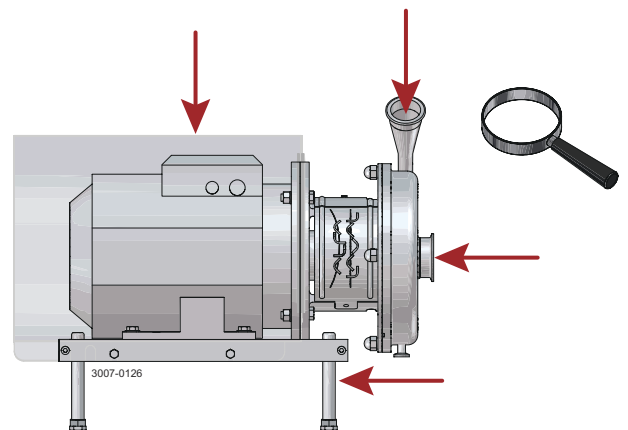
Avoid damaging the inlet and the outlet.

Avoid damaging the connections for flushing liquid, if supplied.

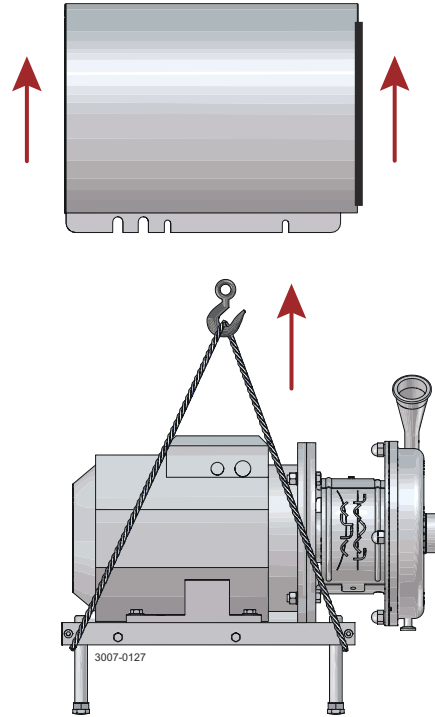
\*) Remove packing materials!



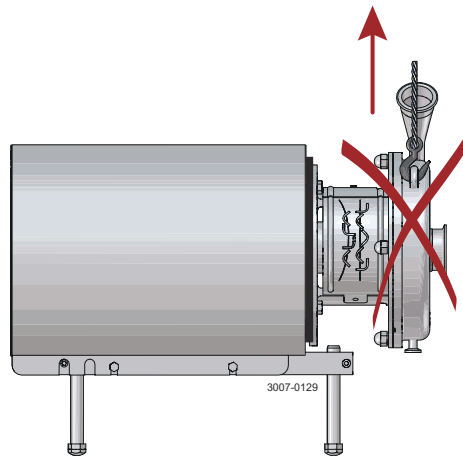
- 2 Inspect the pump for visible transport damage.



- 3 Always remove the shroud, if fitted, before lifting the pump.



- 4 Do **NOT** use eyebolt in casing to lift the pump. The eyebolt is for casing removal only.



## 4.2 Installation

### WARNING

**Always** have the pump electrically connected by authorised personnel. (See the motor instructions).

Alfa Laval recommends the installation of a lockable repair breaker. If the repair breaker is to be used as an emergency stop, the colours of the repair breaker must be red and yellow.

Alfa Laval recommends the supply disconnecting device shall be in accordance with EN60204-1. Always disconnect the supply disconnecting device safely after installation before continuing the installation.



### CAUTION

Alfa Laval cannot be held responsible for incorrect installation.

**Always** use a lifting crane when handling the pump.

The pump does not prevent back flow when intentionally or unintentionally stopped. If back flow can cause any hazardous situations, precautions must be taken e.g. a check valve can be installed in the system preventing hazardous situations.

If the pump has been stored for longer period of time there is a risk that the seal faces may stick together and consequently cause damage to the seal at start-up. Please ensure that the pump shaft can be rotated by hand before start-up.

### NOTE

Study the instructions carefully and pay special attention to the warnings!

**Always** read the *Technical Data* on page 59 thoroughly.

**Always** check the pump before operation. See *Pre-use Check* on page 29.

The large pump sizes are very heavy. **Always** use appropriate lifting equipment when handling the pump.

In case of shaft seal leakage, the media will drip from the slot in the bottom of the adaptor. In case of shaft seal leakage, Alfa Laval recommends putting a drip tray underneath the slot to collect the leakage.

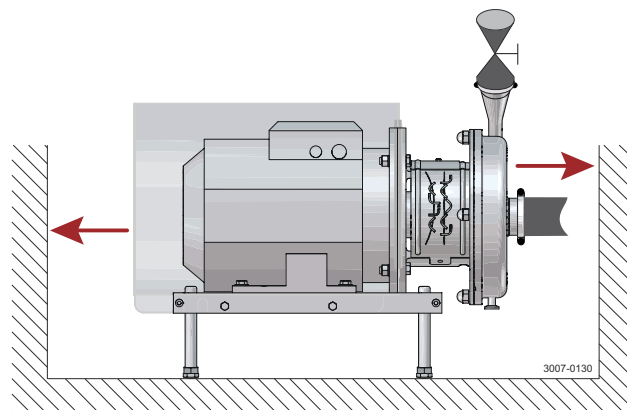
The 3A standard requires minimum clearance between the lowest part of the base, pump, motor or drive and for the floor to be no less than 100 mm / 4".

- 1 Ensure at least 0.5 m / 1.6' clearance around the pump.

Ensure the floor/frame is able to support the weight of the pump. See *Technical Data* on page 59.

Ensure the pump is supported by all four feet equally.

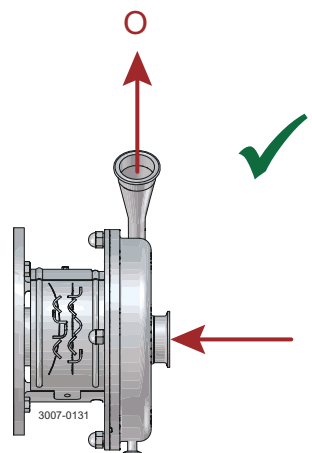
DO NOT fixate the motor and/or leg bracket to floor and/or frame.



2 Check that the flow direction is correct.

O: Outlet

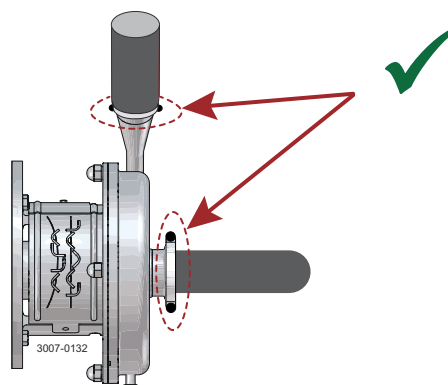
I: Inlet



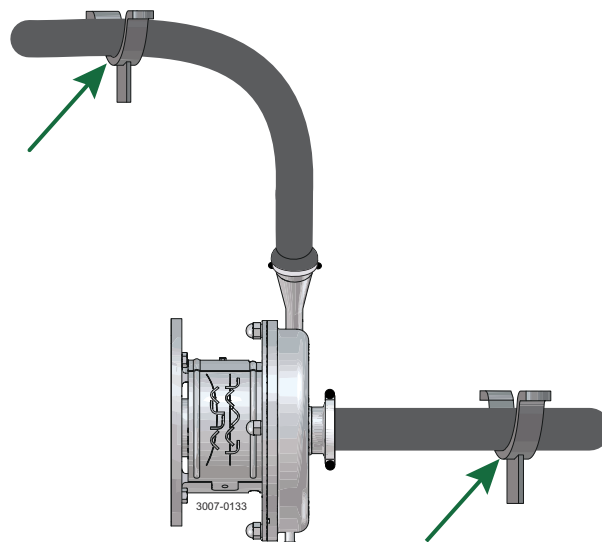
3 a) Ensure that the pipelines are routed correctly.

b) Ensure that the connections are tight.

c) Remember seal rings. Few bends.

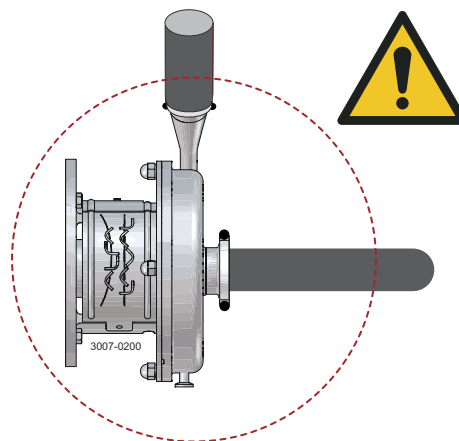


- 4 Avoid stress on the pump.  
**Piping system must be self-supported.**

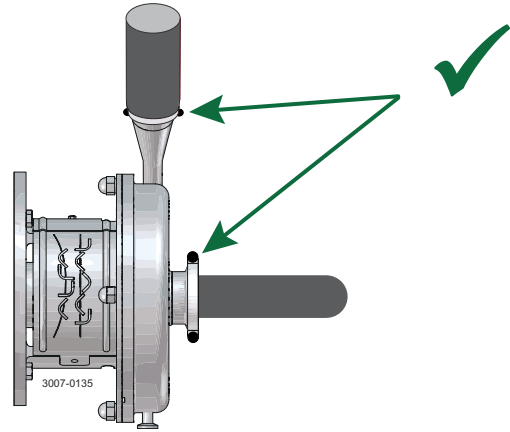


Pay special attention to:

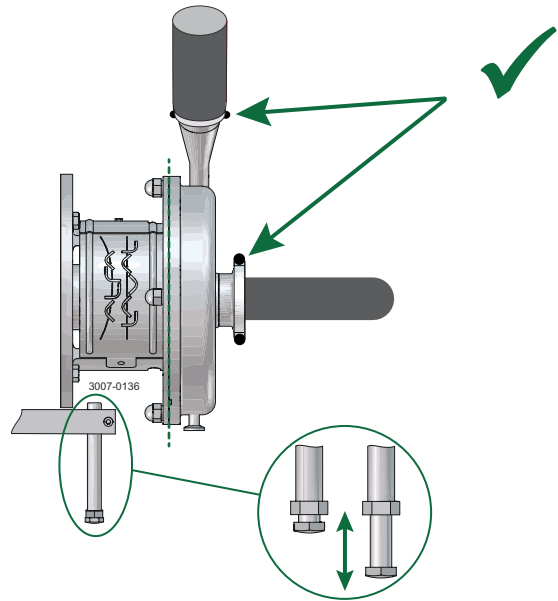
- Vibrations
- Thermal expansion of the tubes
- Excessive welding
- Overloading of the pipelines



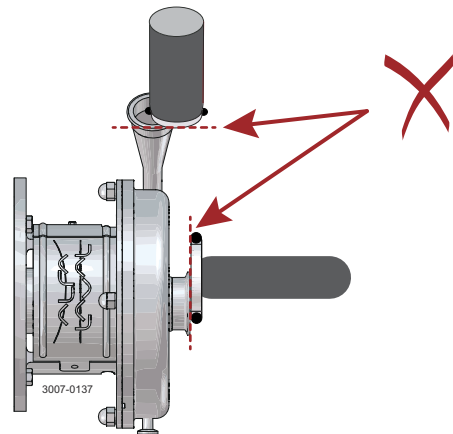
- 5 Ensure correct alignment of pump inlet and outlet with piping system.



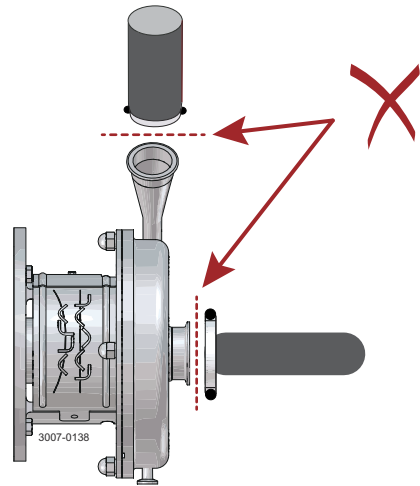
Alignment can be done by adjusting the pump legs.



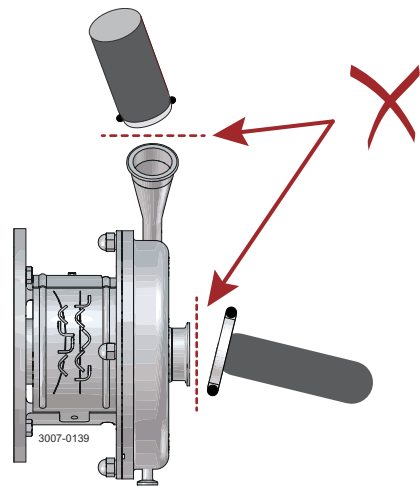
Centre of inlet and outlet to be aligned with centre of piping system.



No gaps between connections on pump inlet and inlet pipe, and pump outlet and outlet pipe.



Angle between connections on pump inlet and inlet pipe, pump outlet and outlet pipe not allowed.

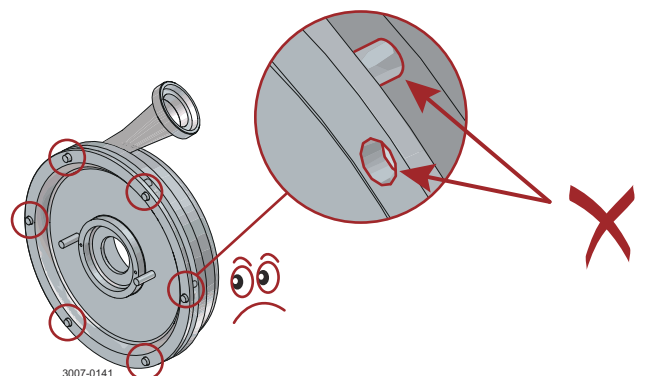
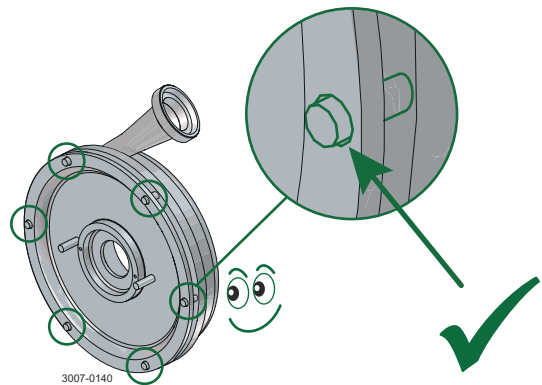


**6** Ensure correct alignment of pump casing and pump backplate.

Angle not allowed.

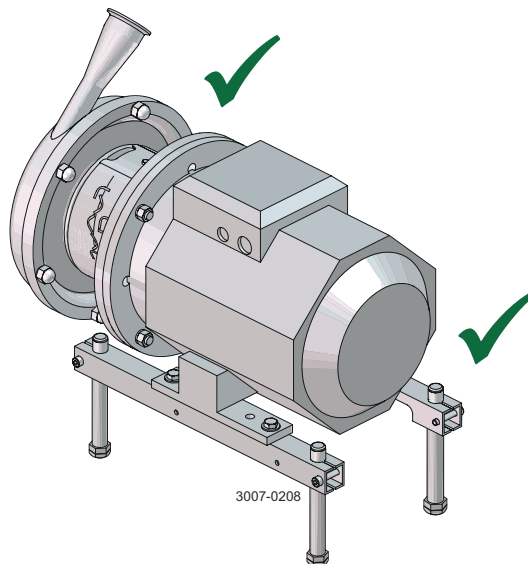
Alignment can be done by adjusting the pump legs.

Ensure stud bolts in casing are aligned with holes in backplate.



 **WARNING**

**Always** ensure the adaptor shield and motor fan guard are present and mounted correctly and allow no access to rotating parts before installing and starting the pump.



## 4.3 Pre-use Check

### NOTE

Study the instructions carefully and pay special attention to the warnings!

Check the direction of rotation of the impeller before operation. See the indication label on the pump.

### WARNING

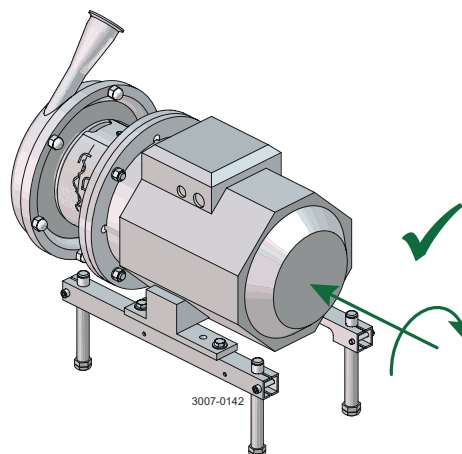
**Never** start the pump if the impeller is fitted and the pump casing is removed.



### CAUTION

**Never** start in the wrong direction of rotation with liquid in the pump.

- 1 a) Connect power supply.
- b) Start and stop the motor momentarily.
- c) Ensure that the direction of rotation of the motor fan is **clockwise** as viewed from the rear end of the motor.
- d) Disconnect power supply safely.



## 4.4 General Installation Guidelines

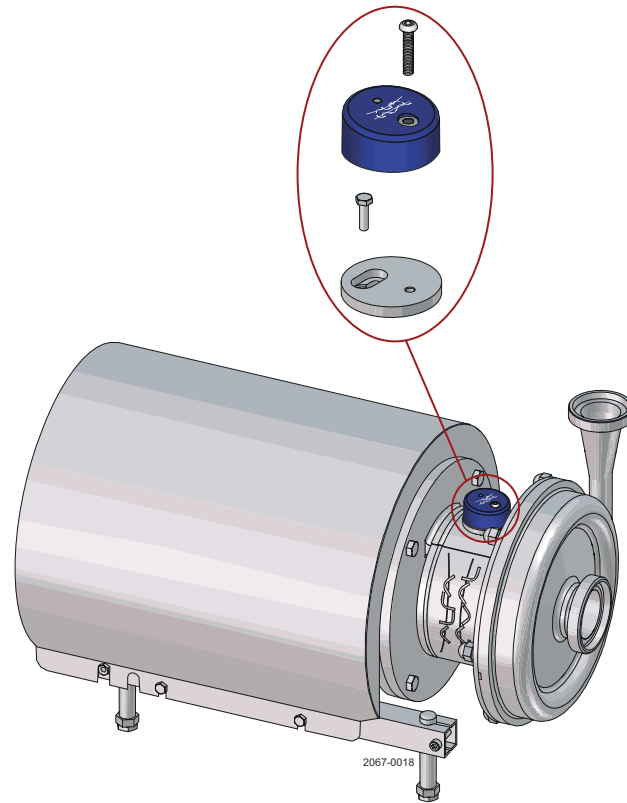
### NOTE

When mounting the CM, it is important to achieve a solid mechanical connection between the equipment and the CM adapter plate. The CM can be mounted on surfaces up to 80 °C / 176 °F.

### LKH guidelines

The CM is assembled on the top of the adapter.

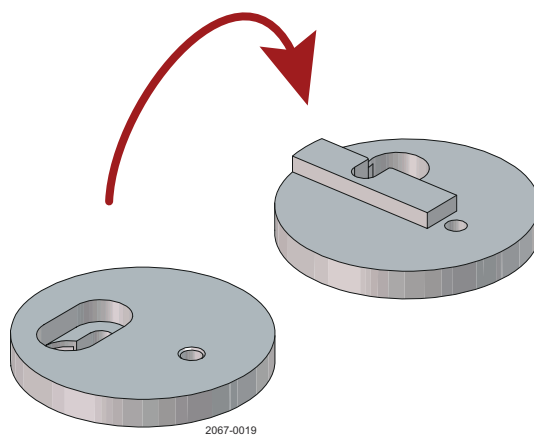
Motor size	Tool Spanner Adapter screw	Tool Hex key CM screw	Max. torque Adapter screw / CM screw
IEC 80–280 NEMA 182–405	8 mm	4 mm	4.5 Nm / 8 Nm 3.3 ft-lb / 5.9 ft-lb



### Hygienic recommendations

For a hygienic installation, use an FDA approved sealant between the equipment and the adapter plate, and between the CM and the adapter plate.

## Adapter details



Kit Type / Article No. <sup>1</sup>	Screw Hex screw	Dimensions Ø / H	Weight
<b>8010008558</b>	M5 x 16	58 mm / 11 mm 2.3" / 0.43"	0.13 kg 0.29 lbs

<sup>1</sup> All adapters are made of stainless steel EN 1.4301 (AISI 304). The CM is included.

This page is intentionally left blank.

## 5 Operation

### 5.1 Operation/Control

#### NOTE

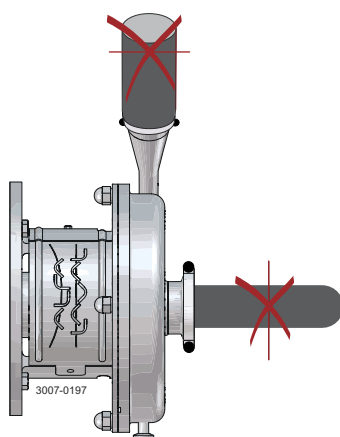
Study the instructions carefully and pay special attention to the warnings!

**Always** read the *Technical Data* on page 59 thoroughly.

#### DANGER Explosion danger!

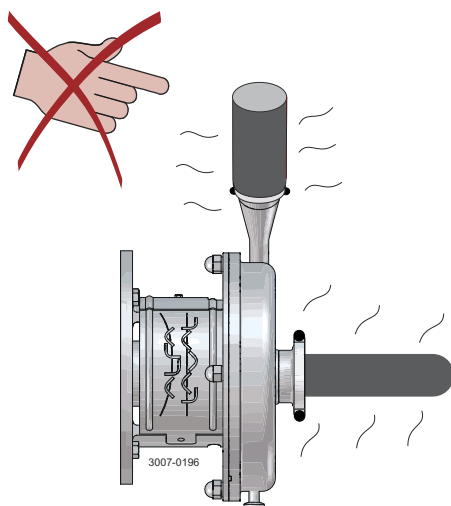
**Never** run the pump with both the suction side and the pressure side blocked.

See the warning label!



#### WARNING Burning risk!

**Never** touch the supplied product or the pipelines when processing hot liquids or sterilizing.

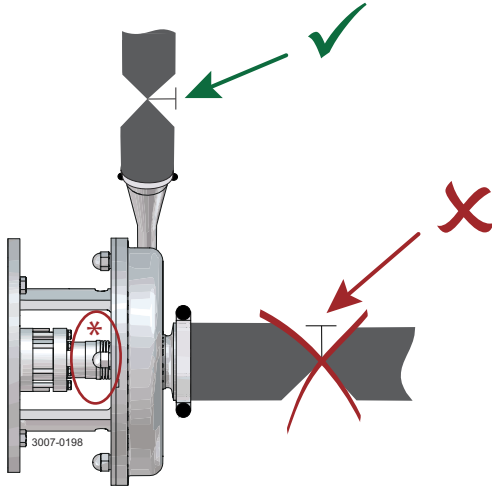


**CAUTION**

The shaft seal must not run dry.

**Never** throttle the inlet side.

\*) **Do not allow to run dry**



**CAUTION**

Alfa Laval cannot be held responsible for incorrect operation/control.

**Double Mechanical Seal**

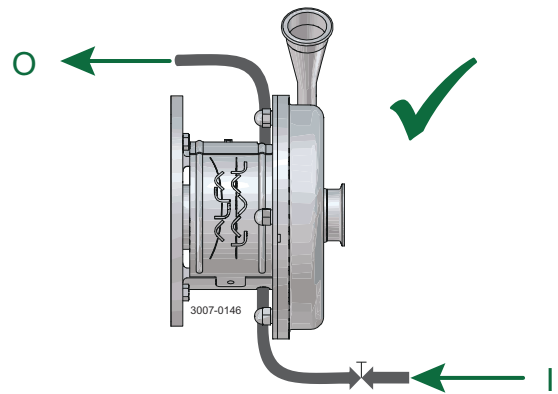
If equipped with Double Mechanical Seal (DMS):

1. Connect the inlet of the flushing liquid correctly.
2. Regulate the water supply correctly.

Outlet $T_{max}$ :	70 °C / 158 °F
$P_{max}$ LKH UP10-60:	5 bar / 72.5 psi
$P_{max}$ LKH UP70:	3 bar / 43.5 psi

O: Outlet

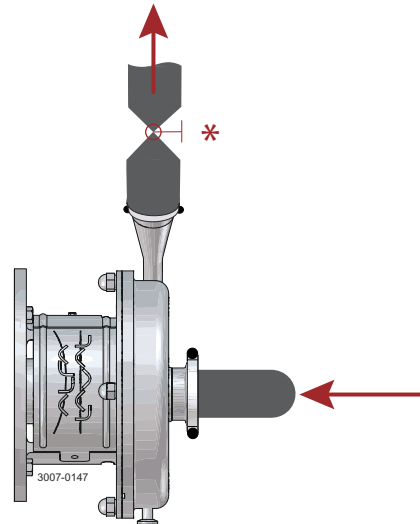
I: Inlet



## Control

Reduce the capacity and the power consumption by means of:

- \*) Throttling the pressure side of the pump
- Reducing the impeller diameter
- Reducing the speed of the motor



## 5.2 Troubleshooting


**NOTE**

Read the maintenance instructions carefully before replacing worn parts.

Problem	Cause/result	Remedy
Overloaded Motor.	Pumping of viscous liquids.	Larger motor or smaller impeller.
	Pumping of high density liquids.	
	Low outlet pressure (counter pressure).	Increase counter pressure (throttling).
	Lamination of precipitates from the liquid.	Frequent cleaning.
Cavitation: <ul style="list-style-type: none"> <li>• Damage</li> <li>• Pressure reduction (sometimes to zero)</li> <li>• Increase in the noise level</li> </ul>	<ul style="list-style-type: none"> <li>• Low inlet pressure</li> <li>• High liquid temperature</li> </ul>	<ul style="list-style-type: none"> <li>• Increase the inlet pressure</li> <li>• Reduce the liquid temperature</li> <li>• Reduce the pressure drop before the pump</li> <li>• Reduce speed</li> <li>• <math>NPSH_A &gt; NPSH_R</math></li> </ul>
Leaking shaft seal.	<ul style="list-style-type: none"> <li>• Dry run</li> <li>• Incorrect rubber grade</li> <li>• Abrasive particles in the liquid</li> </ul>	Replace all wear parts. If necessary: <ul style="list-style-type: none"> <li>• Change rubber grade</li> <li>• Change seal face material</li> </ul>
Leaking O-ring seals.	<ul style="list-style-type: none"> <li>• Incorrect rubber grade</li> <li>• Aged O-ring</li> </ul>	Change rubber grade. Change O-rings

## 5.3 Recommended Cleaning

**⚠ WARNING Risk of burns!**

Never touch the supplied product or the pipelines when sterilizing.



**⚠ CAUTION**

Always handle lye and acid with great care.



**! NOTE**

The supplied product is designed for cleaning in place (CIP).

NaOH = Caustic soda.

HNO<sub>3</sub> = Nitric acid.

The cleaning agents must be stored/disposed of in accordance with current regulations/directives.

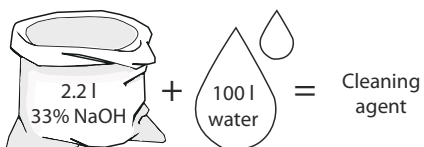
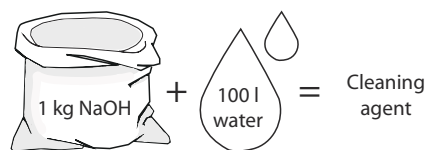
### Examples of cleaning agents

**! NOTE**

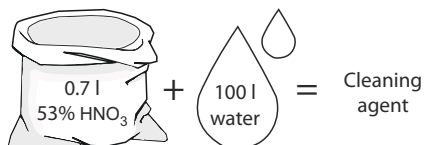
Use clean water free from chlorides.

#### Metric System

1. 1% by weight NaOH at 70°C

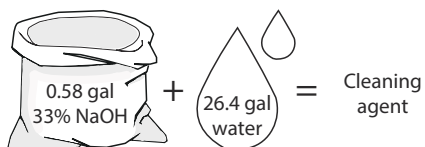
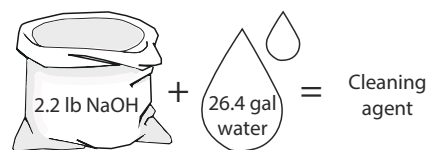


2. 0.5% by weight HNO<sub>3</sub> at 70°C

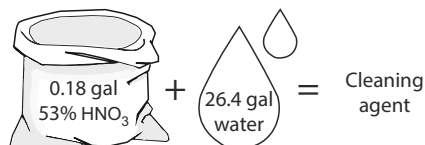


#### Imperial System

1. 1% by weight NaOH at 158°F



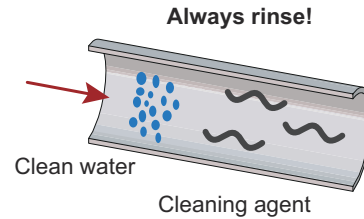
2. 0.5% by weight HNO<sub>3</sub> at 158°F



1. Avoid excessive concentration of the cleaning agent ⇒ **Dose gradually!**
2. Adjust the cleaning flow to the process  
**Milk sterilization/viscous liquids ⇒ Increase the cleaning flow!**

**CAUTION**

**Always** rinse well with clean water after the cleaning.



### 5.3.1 Cleaning Information

**NOTE**

If pumps are sterilised using steam, standard 3A requires the process system to be designed to automatically shut down if the product pressure in the system becomes less than of the atmosphere and it cannot be started until the system is re-sterilised.

The LKH pump range has been designed for Clean in Place (CIP) operation with both 3A and EHEDG certification. However, due to variations in pumped product, system design, cleanliness requirements and chemicals used we recommend that users develop suitable CIP processes during commissioning on normal operation conditions and products and verify these meet the required levels of cleanliness ensuring a minimum flow velocity of 1.5 m/s in the pump inlet.

To ensure optimum drainability of the pumpcase we recommend the pump is specified with 270° outlet position (horizontal bottom) or a drainvalve.

## 6 Maintenance

### 6.1 General Maintenance

#### NOTE

Maintain the pump carefully.

Study the instructions carefully and pay special attention to the warnings!

For motor maintenance, see motor instruction manual.

**Always** read the *Technical Data* on page 59 thoroughly.

**Always** keep spare shaft seals and rubber seals in stock.

Check the pump for smooth operation after service.

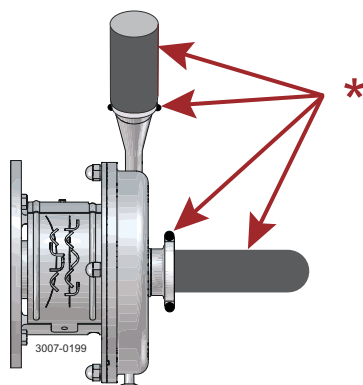
All scrap must be stored/disposed of in accordance with current regulations and directives.

If the pump is supplied with FEP O-rings. Alfa Laval recommends that the casing O-ring is replaced during pump maintenance.

#### DANGER

**Never** service the pump if pressurised.

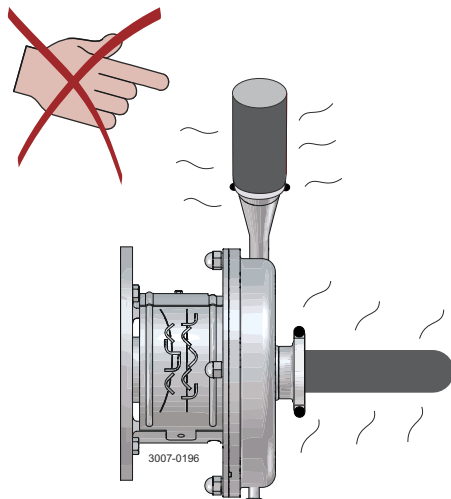
\*Atmospheric pressure required!



#### WARNING

**Burning risk!**

**Never** service the pump when it is hot.





**Always** disconnect the power supply when servicing the pump.

Fit the electrical connections correctly if they have been removed from the motor during service.



	Shaft seal	Rubber seals	Motor bearings
Preventive maintenance	<b>Replace after 12 months:</b> (one-shift) Complete shaft seal.	Replace when replacing the shaft seal.	
Maintenance after leakage (leakage normally starts slowly)	<b>Replace at the end of the day:</b> Complete shaft seal.	Replace when replacing the shaft seal.	
Planned maintenance	<ul style="list-style-type: none"> <li>Regular inspection for leakage and smooth operation</li> <li>Keep a record of the pump</li> <li>Use the statistics for planning of inspections</li> </ul> <b>Replace after leakage:</b> Complete shaft seal.	Replace when replacing the shaft seal.	Yearly inspection is recommended <ul style="list-style-type: none"> <li>Replace complete bearing if worn</li> <li>Ensure that the bearing is axially locked (See motor instructions)</li> </ul>
Lubrication	<b>Before fitting:</b> Lubricate the O-rings with silicone grease or silicone oil.	<b>Before fitting:</b> Lubricate with silicone grease or silicone oil.	See information on motor name plate.

**Pre-use Check**

See [Pre-use Check](#) on page 29.

## 6.2 Cleaning Procedure



**Always** follow the instructions in the safety data sheet for the cleaning agent.

### Cleaning procedure for soiled impeller screw tapped hole

1. Remove stub shaft (7) as per section 4 of the Service Manual
2. Submerge and soak stub shaft for 5 minutes in COP tank with 2% caustic wash
3. Scrub the blind tapped impeller screw hole vigorously by plunging a clean 1/2" diameter sanitary bristle pipe brush in and out of the hole for two minutes while submerged
4. Soak Stub Shaft (7) in acid sanitiser for 5 minutes, then scrub blind tapped hole as described in step 3 above
5. Rinse well with clean water and blow-dry blind tapped hole with clean air
6. Swab test the inside of the tapped hole to determine cleanliness
7. Should the swab test fail, repeat steps 2 to 6 above until swab test is passed

Should swab testing continue to fail, or time is of the essence, install a new (spare) stub shaft (7).

## 6.3 Dismantling of Pump/Shaft Seals

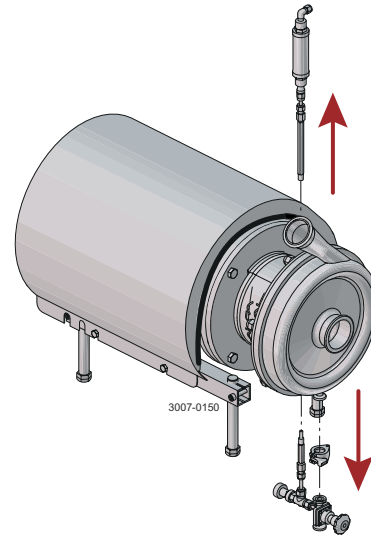
### NOTE

Study the instructions carefully and pay special attention to the warnings!

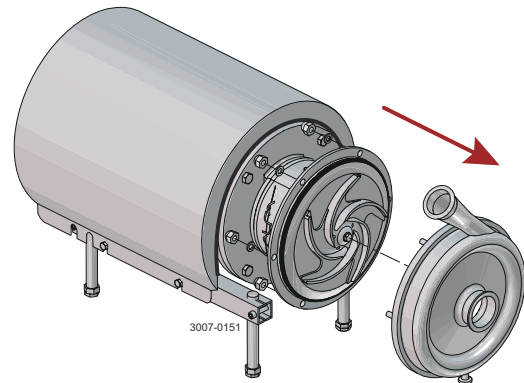
The items refer to *Parts Lists and Exploded Views* on page 65.

- 1 If equipped with  
**flushing set for double mechanical shaft seal:**

- a) Remove flow meter and upper tube.
- b) Remove flushing set (54) from pump casing (29) and lower tube.

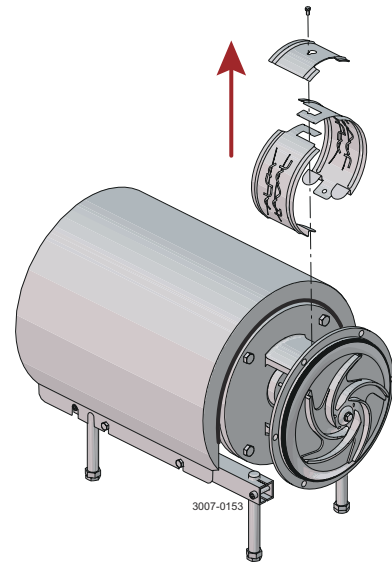


- 2 Unscrew cap nuts (24) and remove washers (24a) and pump casing (29).

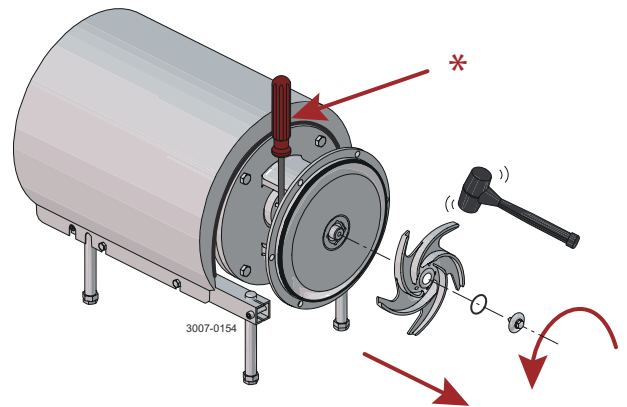


- 3 **Double mechanical shaft seal:**  
Remove tubes at top and bottom from connection in seal housing (40a).

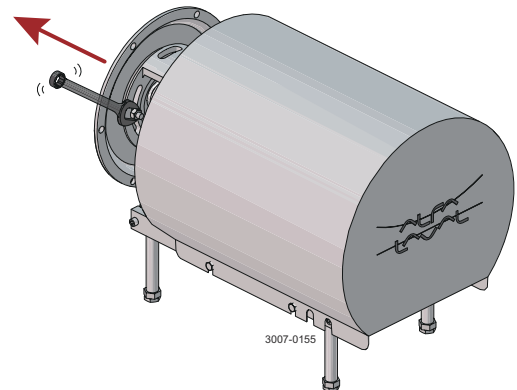
- 4 Remove screw (23) and safety guard (22).



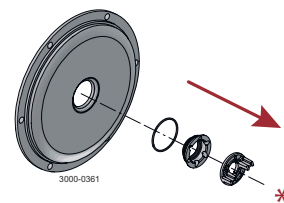
- 5
- Remove impeller screw (36).
  - Remove impeller (37). If necessary, loosen the impeller by knocking gently on the impeller vanes.
  - Remove the O-ring (38) from the impeller
- \* Counterhold with a screwdriver!



- 6
- Pull off the O-ring (26) from back plate (25).
  - Unscrew nuts (20) and remove washers (21) and the back plate.

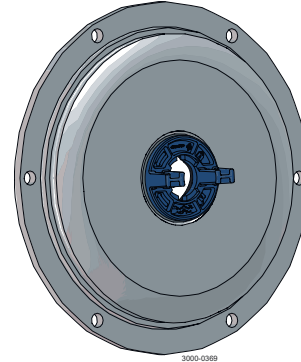


- 7
- Remove the stationary seal ring (11).
  - Remove the O-ring (12) from back plate (25).
- \*) Use the tool supplied. Left hand thread!

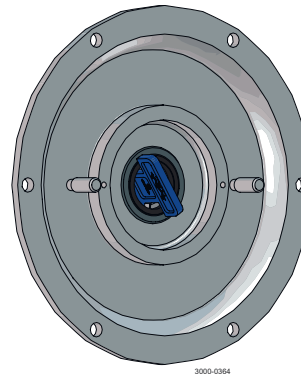


- 8 In the event the stationary seal ring (11) is difficult to untread from the backplate (25), the extra seal tool supplied can be used to fixate the seal tool in the stationary seal ring (11).

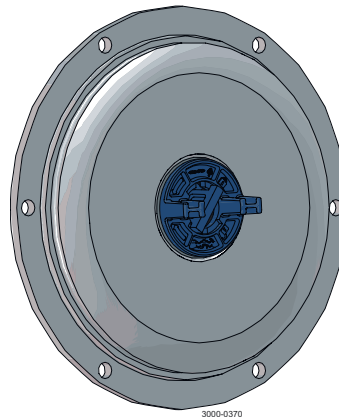
a) The seal tool is fitted into the stationary seal ring (11).



b) The extra seal tool is assembled from rear side of the backplate (25) and turned to either side for locking the seal tool into the stationary seal ring (11).

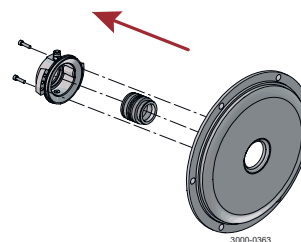


c) Now the seal tool can be untreaded without losing grip of the stationary shaft seal.



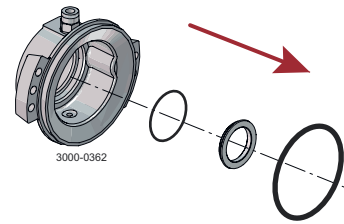
9 **Double mechanical shaft seal:**

- a) Remove screws (41) and seal housing (40a).
- b) Remove rotating seal rings (14) and drive ring (52) from spring (13).
- c) Remove O-rings (15) from rotating seal rings (14).

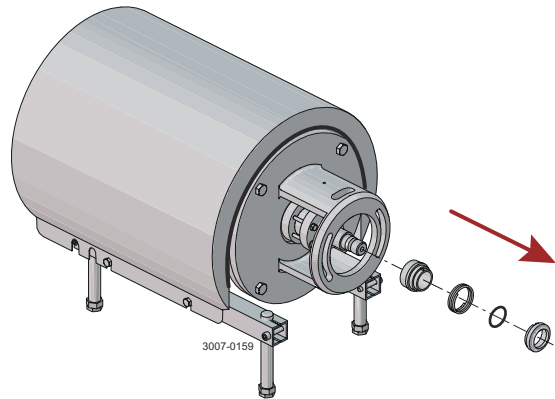


**10 Double mechanical shaft seal:**

- a) Remove stationary seal ring (51) from seal housing (40a/40b).
- b) Remove O-ring (50) from stationary seal ring (51).
- c) Remove O-ring (44) from seal housing (40a/40b).

**11 Single shaft seal:**

- a) Remove the complete shaft seal from stub shaft (7).
- b) Remove spring (13) and rotating seal ring (14) from the drive ring (10).



## 6.4 Assembly of Pump/Single Shaft Seal

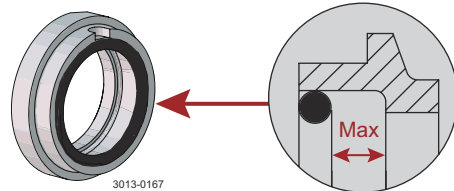
**NOTE**

Study the instructions carefully and pay special attention to the warnings!  
The items refer to *Parts Lists and Exploded Views* on page 65.

**1** Remove spring (13).

**NOTE**

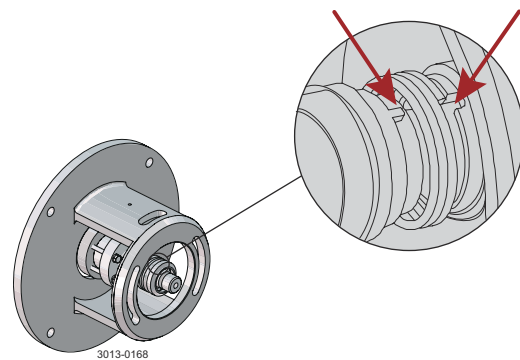
Make sure that O-ring (15) has maximum clearance from the sealing surface.



- 2**
- Refit spring (13) on rotating seal ring (14).
  - Fit the spring and the rotating seal ring on drive ring (10).

**CAUTION**

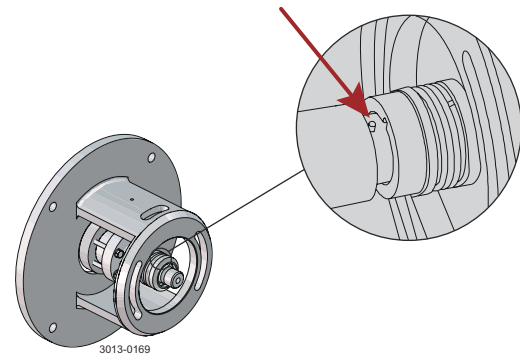
Ensure that the driver on the drive ring enters the notch in the rotating seal ring.



**3** Fit the complete shaft seal onto the stub shaft (7)

**CAUTION**

Make sure that Connex pin (8) on the stub shaft enters the notch in drive ring (10).

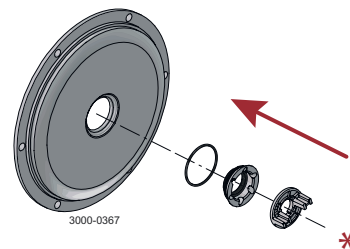


- 4**
- Fit O-ring (12) on stationary seal ring (11) and lubricate.
  - Screw the stationary seal ring into back plate (25).

**CAUTION**

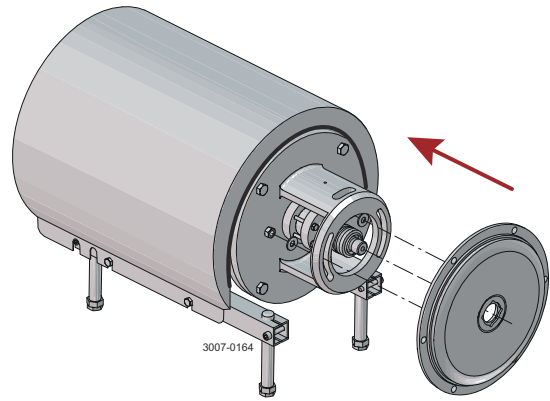
Only tighten by hand to avoid deforming the stationary seal ring.

(Max. 7 Nm / 5 lbf-ft)

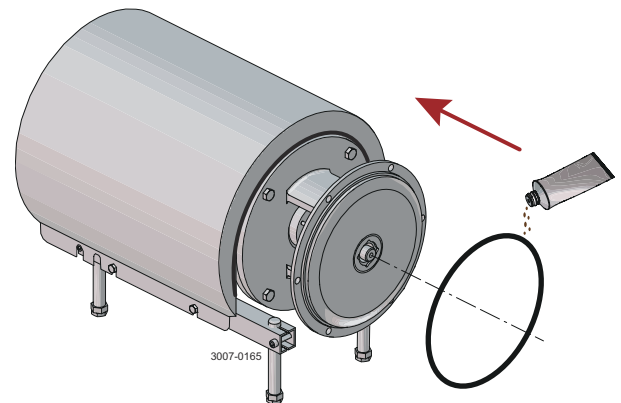


\*) Use the tool supplied. Left hand thread!

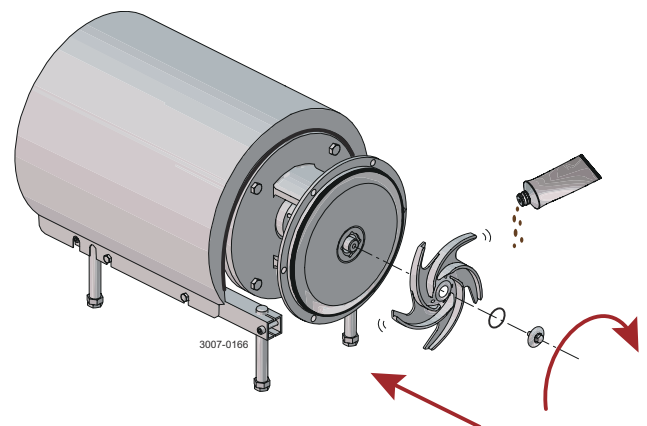
- 5
- Clean the sealing surfaces with contact cleaner before fitting back plate (25).
  - Carefully guide the back plate onto adaptor (16).
  - Fit washers (21) and nuts (20) and tighten according to [Torque Specifications](#) on page 61.



- 6
- Lubricate O-ring (26) and slide it onto back plate (25).



- 7
- Lubricate O-ring (38) and fit it in impeller (37).
  - Lubricate impeller hub with silicone grease or oil.
  - Screw the impeller onto stub shaft (7).
  - Fit impeller screw (39) and tighten.

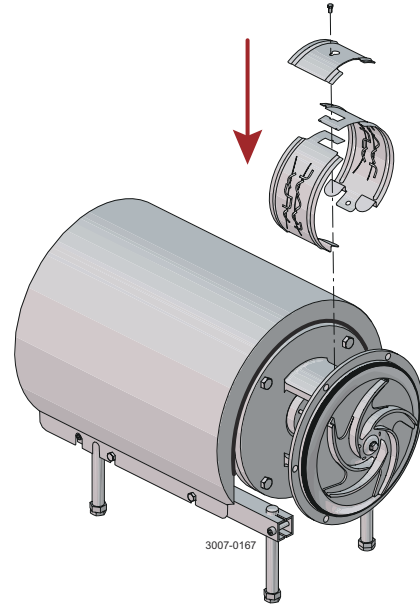


Size	Tightening torque	
	Nm	lbf-ft
LKH UP-10 to -60:	20	15
LKH UP-70:	50	37

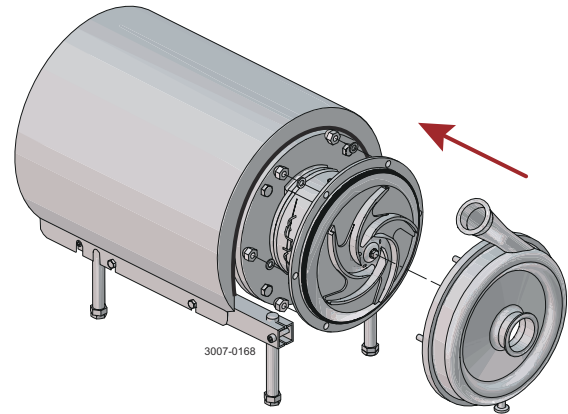
- 8 Fit safety guards (22) and screw (23) and tighten.



If pump is not supplied with flush connections, the holes in the adaptor must be covered by the guard.



- 9
- Fit pump casing (29), washers (24a) and cap nuts (24).
  - Adjust pump casing (29) to correct position.
  - Tighten nuts (20) for back plate (25) and tighten cap nuts (24), according to [Torque Specifications](#) on page 61.



## 6.5 Assembly of Pump/Double Mechanical Shaft Seal

### NOTE

Study the instructions carefully and pay special attention to the warnings!

The items refer to *Parts Lists and Exploded Views* on page 65.

### NOTE

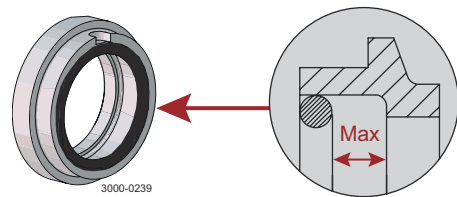
If changed from single shaft seal to double mechanical shaft seal the shaft needs to be adjusted. See *Adjustment of Shaft* on page 56.

1

- a) Fit O-rings (15) in rotating seal rings (14).

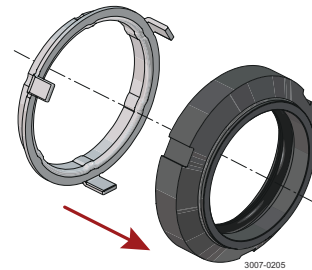
### NOTE

Make sure that O-ring (15) has maximum clearance from the sealing surface.

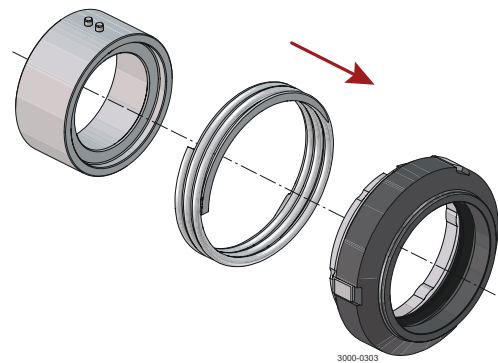


- b) **LKH UP-70:** Fit cups (54) on rotating seal rings (14).

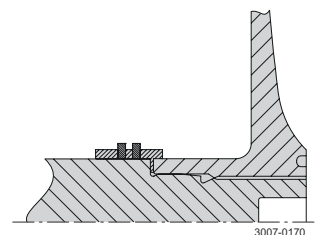
LKH UP 70



- c) Fit spring (13) on one of the rotating seal rings (14) and place the drive ring (52) in rotating seal ring.



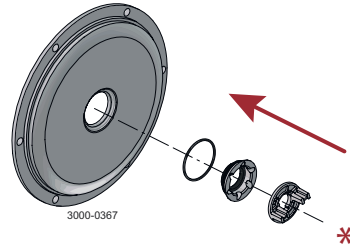
- d) **LKH UP-70:** Turn the drive ring (52) in order to place it correctly on the pump shaft (7).



- 2
- Fit O-ring (12) on stationary seal ring (11) and lubricate.
  - Screw the stationary seal ring into back plate (25).

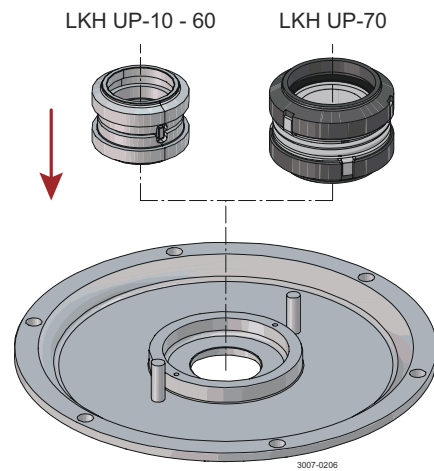


Only tighten by hand to avoid deforming the stationary seal ring.  
(Max. 7 Nm / 5 lbf-ft)

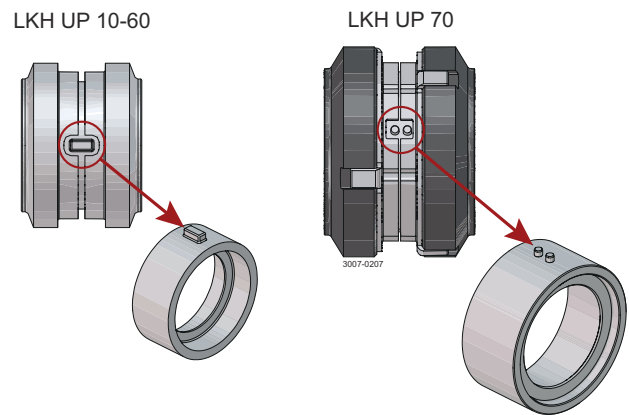


\*) Use the tool supplied. Left hand thread!

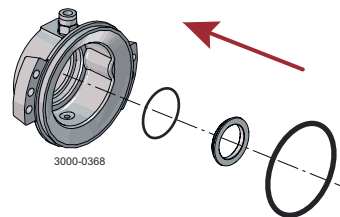
- 3
- Fit the second rotating seal ring (14) on the other end of the spring.
  - Clean the sealing surfaces with contact cleaner.
  - Place the parts on the stationary seal ring fitted in the back plate (25).



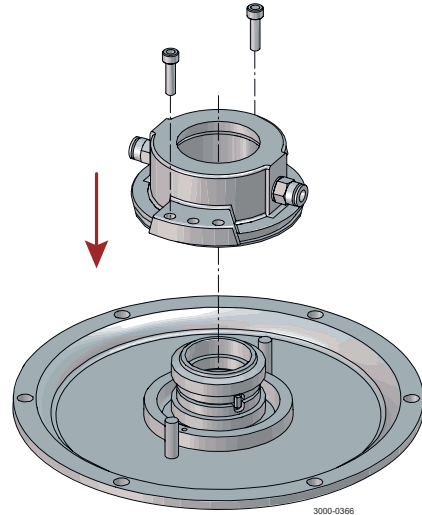
Ensure that both drive pin(s) on the drive ring enter the notches in the rotating seal rings.



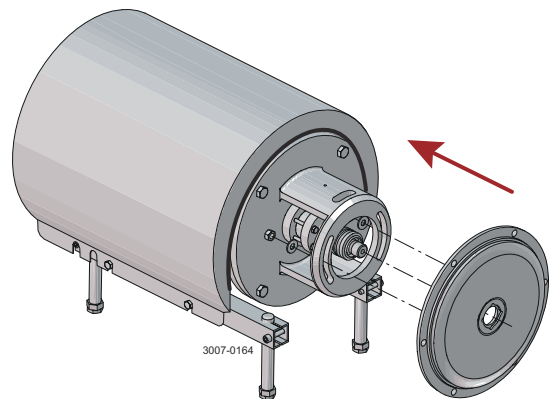
- 4
- Lubricate O-ring (44) and slide onto seal housing (40a).
  - Lubricate O-ring (50) and fit on stationary seal ring (51) and fit this in the seal housing.



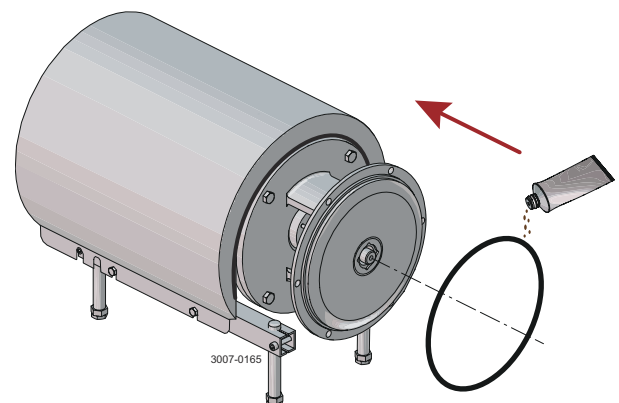
- 5
- Clean the sealing surfaces with contact cleaner.
  - Fit seal housing (40a) on the back plate (25) and tighten screws (41).



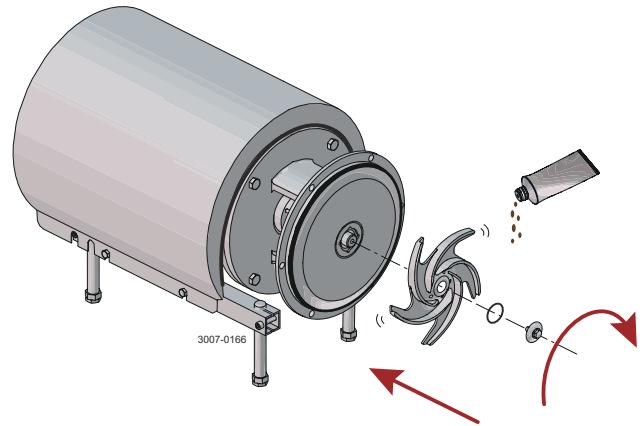
- 6
- To enable fitting of back plate (25) with the shaft seal, remove Connex pin (8) from stub shaft (7), if fitted.
  - Carefully guide the back plate onto adaptor (16).
  - Fit washers (21) and nuts (20) and tighten according to *Torque Specifications* on page 61.



- 7
- Lubricate O-ring (26) and slide it onto back plate (25).

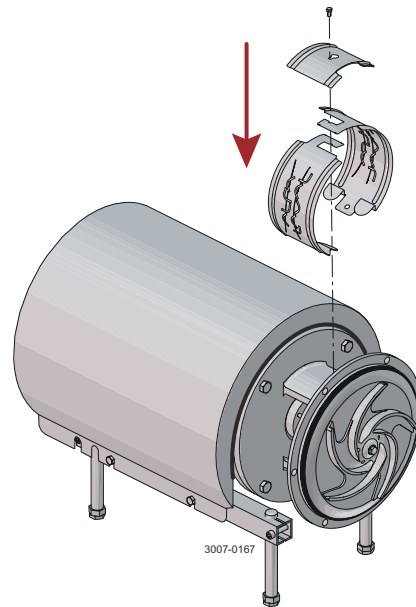


- 8
- a) Lubricate O-ring (38) and fit it in impeller (37), if impeller screw is used.
  - b) Lubricate the impeller hub with silicone grease or oil.
  - c) Screw impeller (37) onto stub shaft (7).
  - d) Fit impeller screw (36) and tighten, if used.



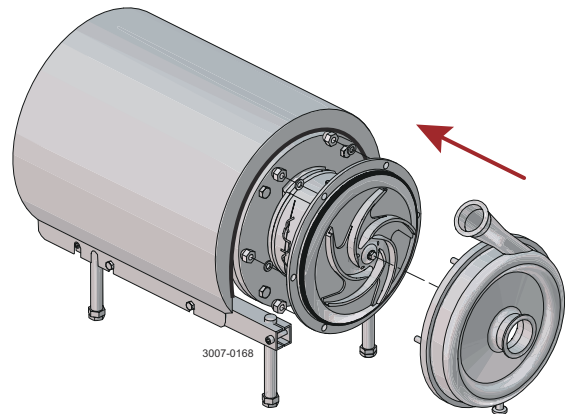
Size	Tightening torque	
	Nm	lbf-ft
LKH UP-10 to -60:	20	15
LKH UP-70:	50	37

- 9
- a) Fit tubes in connection at top and bottom in seal housing (40a)
  - b) Fit safety guard (22) and screw (23) and tighten.



- 10
- a) Fit pump casing (29), washers (24a) and cap nuts (24).
  - b) Tighten nuts (20) for back plate (25).
  - c) Tighten nuts (20) for back plate (25) and tighten cap nuts (24).

Size	Tightening torque	
	Nm	lbf-ft
LKH UP-10 to -20:	20	15
LKH UP-25 to -70:	40	29.5



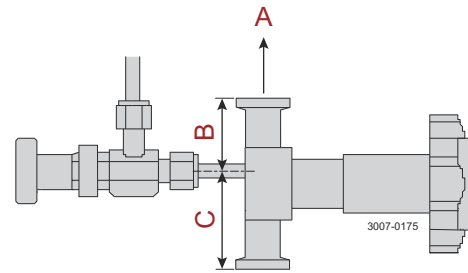
### 11 Flushing set for double mechanical shaft seal:

- Fit membrane valve on drain on pump casing. Ensure the bypass tube is in the right position (see drawing).
- Fit lower tube to the needle valve.
- Fit pressure gauge to upper tube.
- Fit flow meter to upper tube.

A: Up

B: 26 mm / 1.2"

C: 37.6 mm / 1.48"

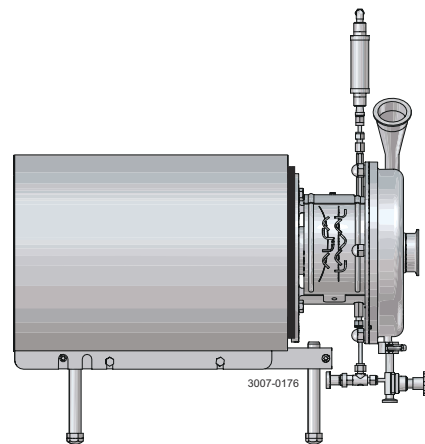


### 12 Adjustment of flushing set:

- Drain valve is used for draining the pump.
- Flushing water is adjusted by the needle valve until the flow meter reads between 250 and 500 ml/min (0.25-0.5 l/min) (0.066-0.132 gpm)

#### NOTE

Flushing set is not considered product area and therefore not hygienically designed. Flushing set will not prevent return flush into the pump. If return flush is at risk Alfa Laval recommend precautions to be taken for preventing this.



## 6.6 Assembly of Flushing Set - if not supplied with pump

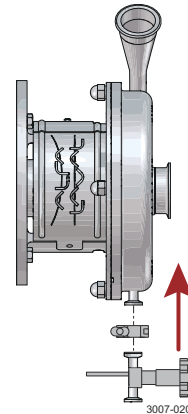
### NOTE

Study the instructions carefully and pay special attention to the warnings!

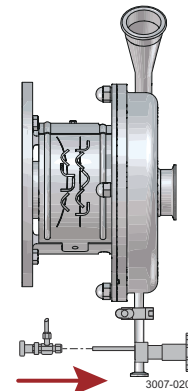
The items refer to *Parts Lists and Exploded Views* on page 65.

If the pump has a single shaft seal, rebuild it to a double mechanical shaft seal (see *Assembly of Pump/ Double Mechanical Shaft Seal* on page 49)

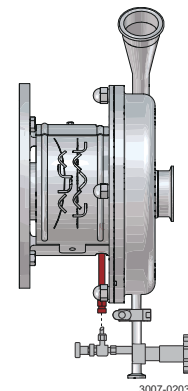
- 1
  - a) Fit membrane valve on pump casing drain.
  - b) Ensure the bypass tube is in the right position (see *Assembly of pump/double mechanical shaft seal, Step 10*).



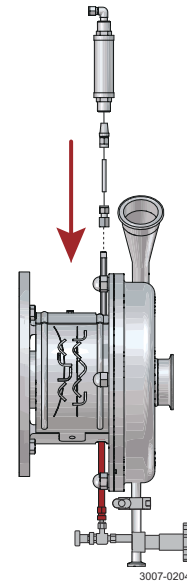
- 2
  - a) Fit needle valve to bypass tube from membrane valve.
  - b) Adjust the length of the bypass tube to ensure the outlet of needle valve is aligned with the inlet in the bottom of the flushing house.



- 3
  - a) Fit connection in bottom hole of of flush housing.
  - b) Cut and fit 6 mm / 1/4" tube in between needle valve and connection in flush housing.



- 4
- Fit connection in top hole of flush housing.
  - Cut and fit 6 mm / 1/4" tube supplied in between straight connections and connection in flush housing.
  - Fit flow meter to straight connection and fit elbow connection to other end of flowmeter.
  - Connection or threaded outlet from flow meter to be connected to on-site flush water installation.



## 6.7 Adjustment of Shaft

### NOTE

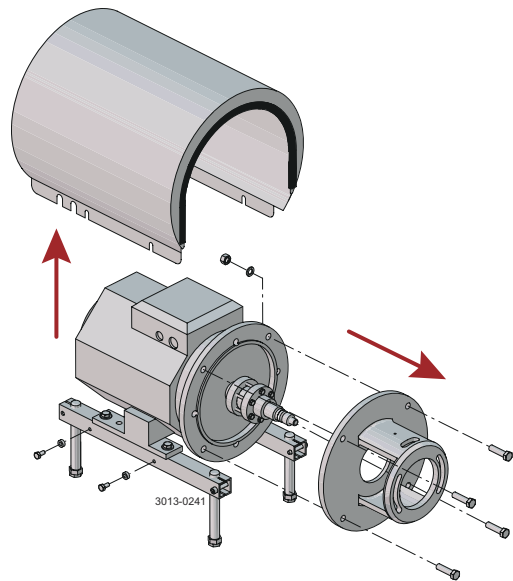
Study the instructions carefully and pay special attention to the warnings!

The items refer to *Parts Lists and Exploded Views* on page 65.

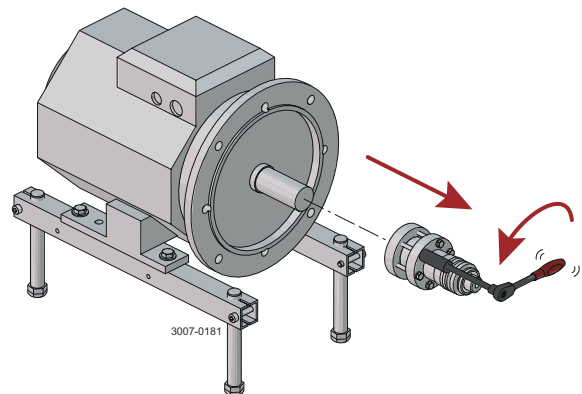
For securing the best fixture to the motor shaft ensure the following:

- Conical surfaces on the pump shaft and compression rings are applied with grease
- No grease on the motor shaft
- No grease on the inside diameter of the pump shaft
- Screws for the compression rings are applied with grease

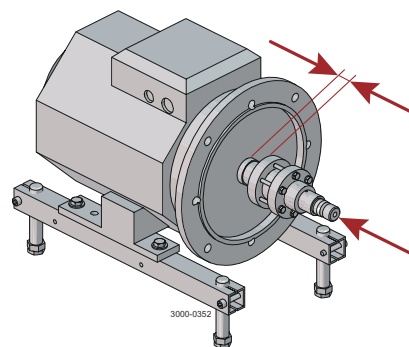
- 1
  - a) Remove shroud (2).
  - b) Unscrew nuts (18) and remove washers (19), screws (17) and adapter (16).



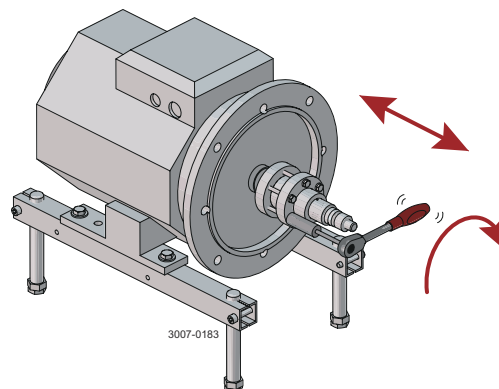
- 2
  - a) Loosen screws (6).
  - b) Pull off stub shaft (7) together with compression rings (5a, 5b).



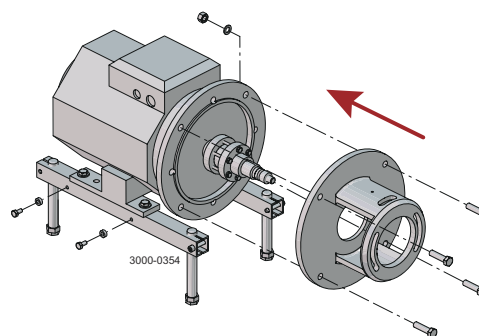
- 3
- Push stub shaft (7) together with compression rings (5a, 5b) onto the motor shaft.
  - Check that the clearance between the end of the stub shaft and the motor flange is 10-20 mm / 0.39-0.78".



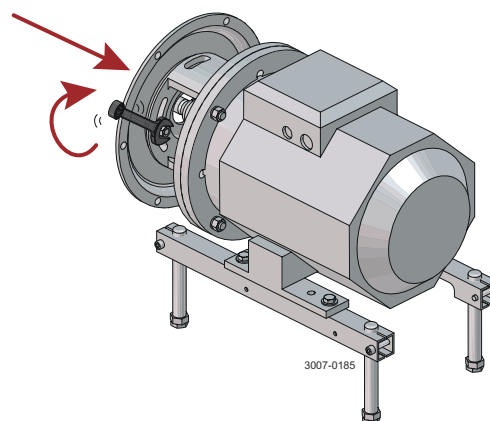
- 4
- Tighten screws (6) lightly and evenly.
  - Ensure that stub shaft (7) can be moved on the motor shaft.



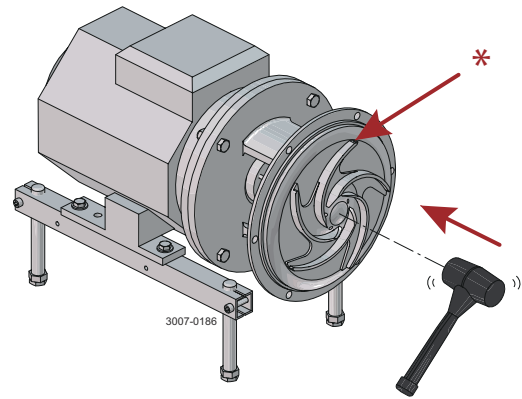
- 5
- Fit adapter (16), screws (17), washers (19) and nuts (18), and tighten.



- 6
- Double mechanical shaft seal:**  
Fit drive ring (52) on stub shaft (7).
  - Fit back plate (25), washers (21) and nuts (20) and tighten according to [Torque Specifications](#) on page 61.



- 7
- Fit impeller (37) on stub shaft (7).
  - Ensure that the clearance between the impeller and back plate (25) is correct:  
**LKH UP10, 20, 25, 35, 45 and 60:** 0.5 mm / 0.02"  
**LKH UP40 and 70:** 1.0 mm / 0.039"
  - Tighten screws (6) evenly until the stub shaft (7) cannot move on the motor shaft.



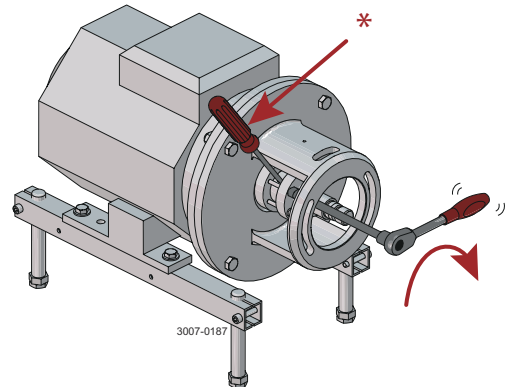
**NOTE**

The clearance can be adjusted by knocking gently with a plastic hammer.

Please note LKH UP-40 impeller is marked with "1.0 mm GAP".

If NOT marked with "1.0 mm GAP" the clearance shall be 0.5 mm.

- 8
- Remove impeller (37), back plate (25) and drive ring (52).
  - Tighten screws (6) evenly to 15 Nm (11 lbf-ft).



**NOTE**

Tighten screws diagonally.

\*Counterhold with a screwdriver.

## 7 Technical Data

### NOTE

Technical data must be observed during installation, operation and maintenance.  
All personnel should be informed about the technical data.

### 7.1 Technical Data

The LKH UltraPure pump is a highly efficient and economical centrifugal pump, which meets the requirements of the pharmaceutical industries. It provides gentle product treatment and is chemically resistant.

LKH UltraPure is available in the following sizes, LKH UltraPure-10 , -20, -25, -35, -40, -45, -60 and -70.

#### Materials

Product wetted steel parts:	W. 1.4404 ( AISI 316L and 329L) with material traceability 3.1 according to EN 10204 (Mill test reports)
Other steel parts:	Stainless steel
Product wetted elastomers:	EPDM - USP Class VI, 121 °C / 249.8 °F. Chapter 88, and Chapter 87 (standard) or fluorinated rubber (FPM) and FEP <sup>1</sup>
Other elastomers:	EPDM
Stationary seal ring:	Acid-resistant steel with sealing surface of silicon carbide
Rotating seal ring:	Silicon carbide

<sup>1</sup> Recommended only for applications running with steady temperature range. Drip leakage can occur at large temperature drop.

#### Motor

**IEC:** Foot-flanged motor according to the IEC metric standard, 2 poles = 3000/3600 rpm at 50/60 Hz, 4 poles = 1500/1800 rpm at 50/60 Hz, IP 55 (with drain hole with labyrinth plug), insulation class F.

**NEMA:** Standard C-faced, foot mounted motor according to NEMA standard. 60 Hz. 3500 rpm or 1750 rpm. Premium efficiency, Class F.

#### Motor sizes

50 Hz:	1.5-75 kW
60 Hz:	1.2-80 kW
60 Hz:	2-100 Hp

#### Min/max motor speed

2 poles: 0.75-45 kW:	1-60 Hp	900-4000 rpm
2 poles: 55-110 kW:	75-100 Hp	900-3600 rpm
4 poles: 0.75-75 kW:	1-100 Hp	900-2200 rpm

## 7.2 Operating Data

### Max. inlet pressure<sup>1</sup>

LKH UltraPure-10 to -60: (USA - Not CE marked)	1000 kPa / 10 bar / 145 psi
LKH UltraPure-70: (USA - Not CE marked)	500 kPa / 5 bar / 72.5 psi
LKH UltraPure-10 to -70: (Rest of the world)	500 kPa / 5 bar / 72.5 psi

<sup>1</sup> Max. 5 bar (72 psi) inlet pressure allowed if the pump is mounted on an explosion proof motor.

### Temperature

Temperature range:	-10 °C to +140 °C / +14 °F to +284 °F (EPDM)
Flush media:	Max. 70 °C / 158 °F
Flush housing sterilization (pump not in operation):	Max. 125 °C / 257 °F

### Viscosity

Maximum product viscosity:	800 cP
----------------------------	--------

### Double Mechanical Shaft Seal

Water pressure inlet, LKH UltraPure-10 to -60:	Max. 500 kPa / 72.5 psi (5 bar)
Water pressure inlet, LKH UltraPure-70:	Max. 300 kPa / 43.5 psi (3 bar)
Water consumption:	0.25-0.5 l./min. / 4-8 USGPH

### Connections for Double Mechanical Shaft Seal

LKH UltraPure-10 to -70:	1/8" / Ø6 mm / Ø1/4"
--------------------------	----------------------

## 7.3 Relubrication Intervals

For recommended general maintenance follow the recommendations in the motor instruction manual.

Motor bearings are permanently lubricated.

## 7.4 Torque Specifications

### NOTE

The table below specifies the tightening torques for the screws, bolts and nuts in this pump.

Always use the torques specified below if no other values are shown. This may affect personal safety.

Size	Tightening torque	
	Nm	lbf-ft
M8	20	15
M10	40	30
M12	67	49
M14	110	81

## 7.5 Weight (kg)

### NOTE

Weight can vary depending of configuration. Weight is only to be seen as a reference value during handling, transporting and packaging.

### Pump Type: LKH UltraPure

Size	Motor																		
	90			100			112		132		160			180	200		250		280
	1.5 kW	2.2 kW	3 kW	4 kW	5.5 kW	7.5 kW	11 kW	15 kW	18.5 kW	22 kW	30 kW	37 kW	45 kW	55 kW	75 kW				
10	61	77	88	100															
20	63	79	90	102	130	138													
25				106	134	142	213	213											
35				106	134	142	213	213											
40						145	216	216	246	286									
45				107	135	143	214	214											
60					138	146	217	217	247	287	395								
70					174	182	238	238	268	320	426	430	573	691	971				

## 7.6 Noise Emission

Pump Type	Sound pressure level (dBA)
LKH-5	60
LKH-10	69
LKH-15	72
LKH-20	70
LKH-25	74
LKH-35	71
LKH-40	75
LKH-45	70
LKH-50	75
LKH-60	77
LKH-70	88
LKH-75	79
LKH-85	86
LKH-90	75
LKH Prime 10	69
LKH Prime 20	74
LKH Prime 40	77
LKH-112	70
LKH-113	69
LKH-114	68
LKH-122	75
LKH-123	77
LKH-124	80

Pump Type	Sound pressure level (dBA)
SolidC-1	68
SolidC-2	72
SolidC-3	73
SolidC-4	72
MR-166	76
MR-185	82
MR-200	81
MR-300	82
GM	54
FM-OS	61

The above LKH noise levels are the same for LKHPPF, LKHI, LKH UltraPure, LKH Evap and LKHex.

The above LKH Prime is the same for LKH Prime UltraPure, LKHex Prime and LKHex Prime UltraPure.

The above SolidC noise levels are the same for SolidC UltraPure.

The noise measurements have been carried out with the original motor and shroud, approximately at the Best Efficiency Point (BEP) with water at ambient temperature and at 50Hz.

Often the noise level generated by the flow through the process system (eg. valves, pipes, tanks etc.) is much higher than that generated by the pump itself. Therefore it is important to consider the noise level from the whole system and take the necessary precautions with regard to personal safety, if required.

---

## 8 Spare Parts

For every delivered Alfa Laval Product, a spare part list is available.

This spare part list contains a range of the most common wear parts for the machinery. If any component not mentioned is required, please contact your local Alfa Laval representative for availability.

You can find our spare part catalogue at <https://hygienicfluidhandling-catalogue.alfalaval.com>.

**Always** use Alfa Laval genuine spare parts. The warranty of Alfa Laval products is dependent on use of Alfa Laval genuine spare parts.

### 8.1 Ordering Spare Parts

When ordering spare parts, please always state:

1. Serial number (if available)
2. Item number/spare part number (if available)
3. Capacity or other relevant identification

### 8.2 Alfa Laval Service

Alfa Laval is represented in all larger countries of the world.

Do not hesitate to contact your local Alfa Laval representative, with any questions or requirement of spare parts for Alfa Laval equipment.

## 8.3 Warranty - Definition



The rules of Intended use are absolute. Use of the supplied Alfa Laval product is allowed only when in compliance with the technical data supplied with the Intended use.

Differing utilisation, other than agreed with Alfa Laval Kolding A/S, exclude any liability and warranty.

No modification or alteration of the supplied Alfa Laval product is allowed, unless explicit permission is granted by Alfa Laval Kolding A/S.



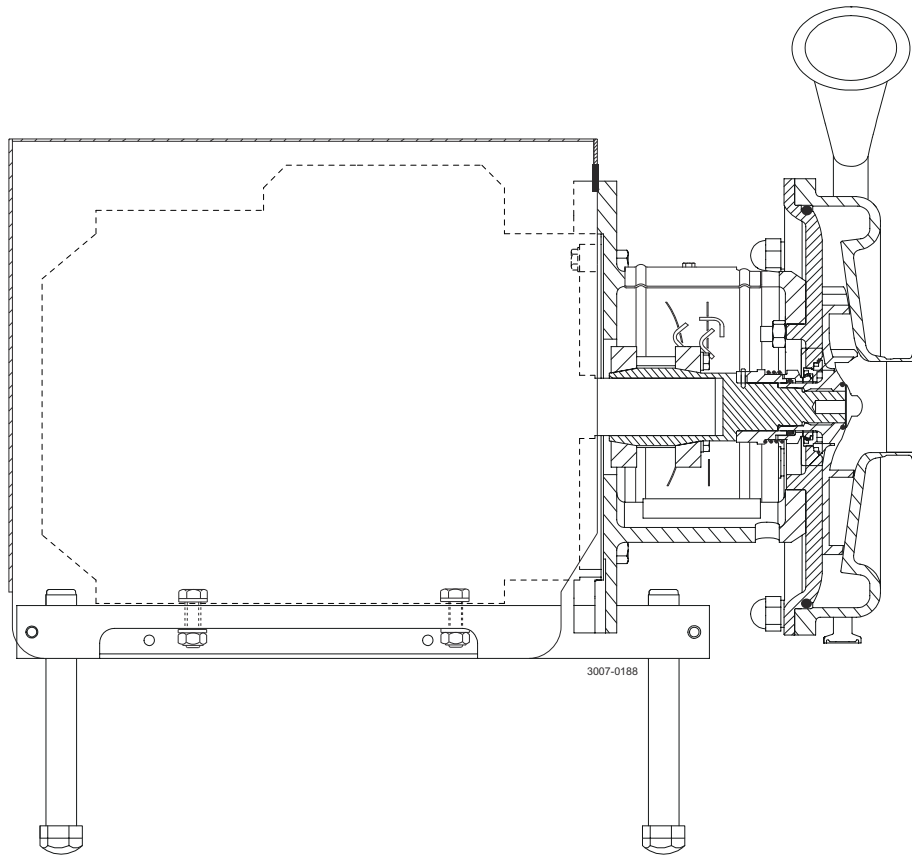
### Liability and warranty are excluded:

- If advice and instruction of operating instructions are ignored
- For incorrect operation or for insufficient maintenance of the supplied Alfa Laval product
- For any kind of change of function of the supplied Alfa Laval product without prior written agreement by Alfa Laval Kolding A/S
- If supplied Alfa Laval product is modified by non-authorized persons
- If using the supplied Alfa Laval product without attention of appropriate safety regulations, (see [Safety](#) on page 7)
- If protection equipment is not used and vessel process / ancillary equipment is not brought to a standstill
- If the supplied Alfa Laval product and ancillary parts are not properly maintained (to be executed in intervals and including fitting of prescribed replacement parts)

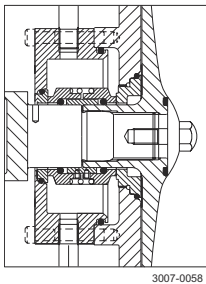
When exchanging parts, only original replacement parts, released from the manufacturer, must be used.

## 9 Parts Lists and Exploded Views

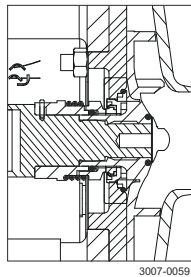
### 9.1 LKH UltraPure -10, -20, -25, -35, -40, -45, -60, -70



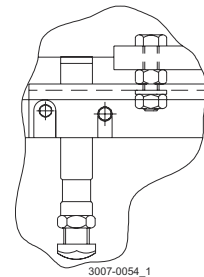
US legs are different to the ones shown. For further information see US spare parts.



Double mechanical shaft seal

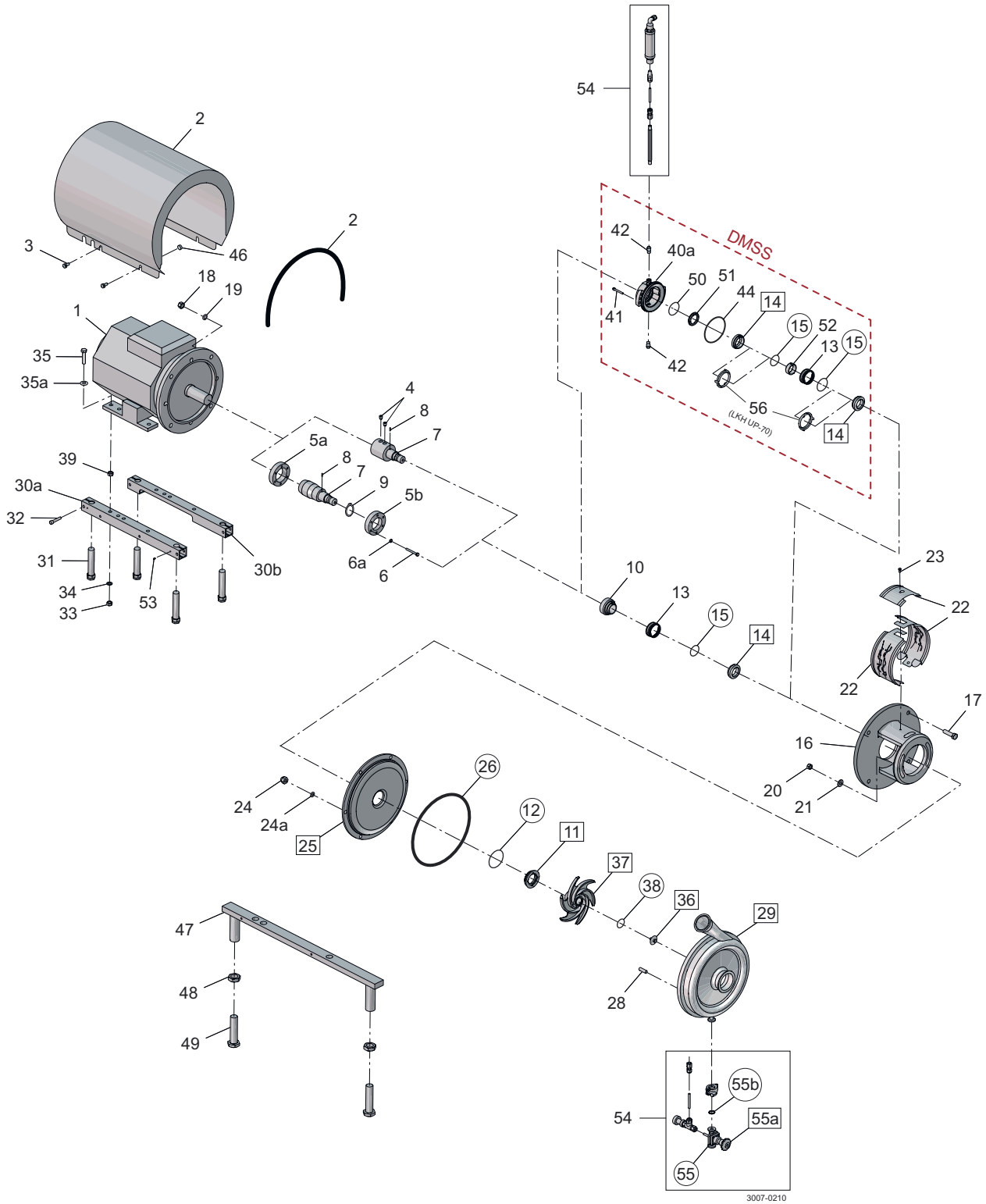


Single shaft seal



Only used for 3 kW  
Fitting of legs

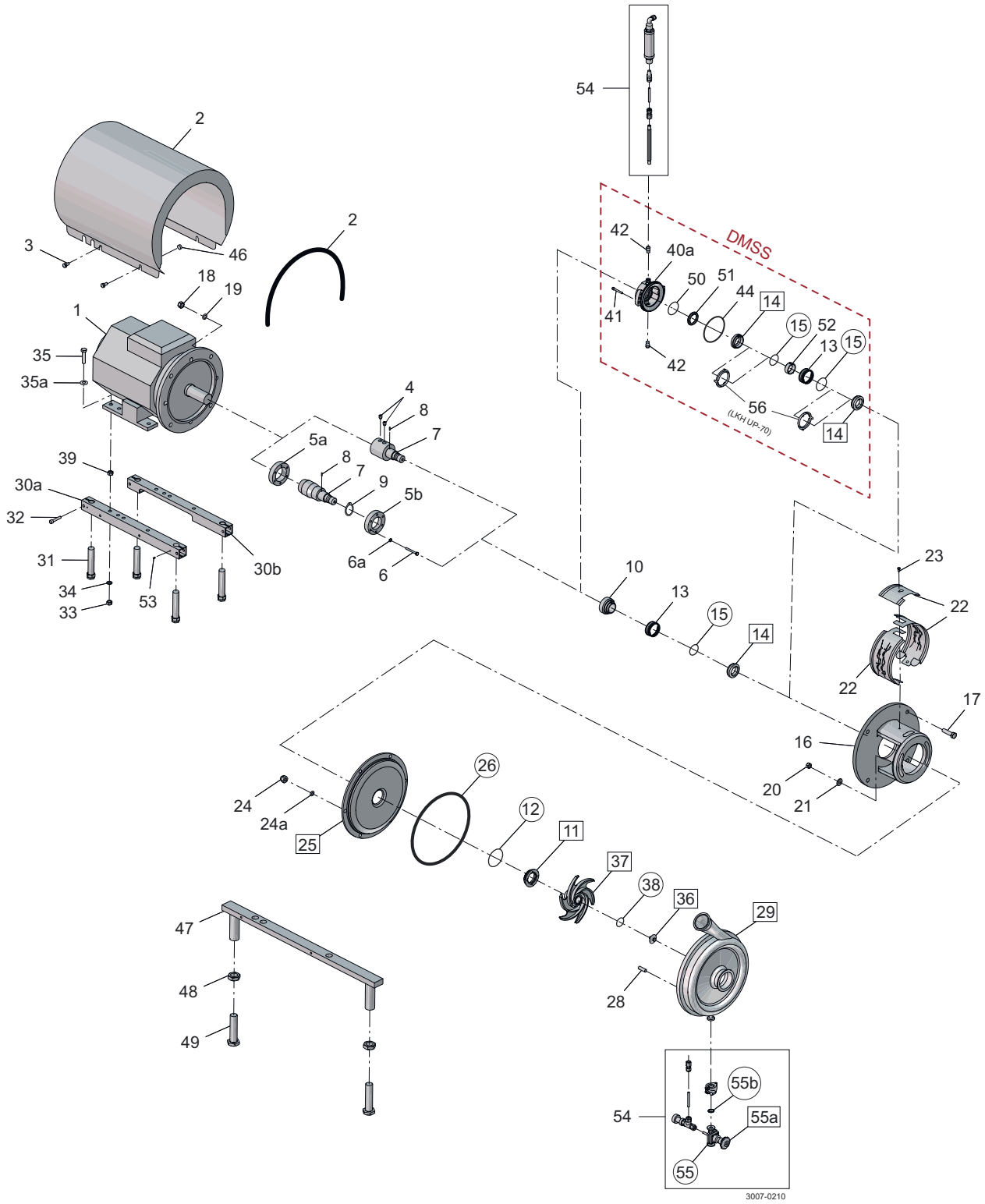
## 9.2 LKH UltraPure - Product wetted parts



<b>Pos.</b>	<b>Qty.</b>	<b>Denomination</b>
20	2	Nut
21	2	Washer
24	6	Cap nut
24a	6	Washer
25	1	Backplate compl
26	1	Pump casing O-ring

<b>Pos.</b>	<b>Qty.</b>	<b>Denomination</b>
28	6	Bolt
29	1	Connections and drain
36	1	Impeller screw
37	1	Impeller
38	1	O-ring impeller screw

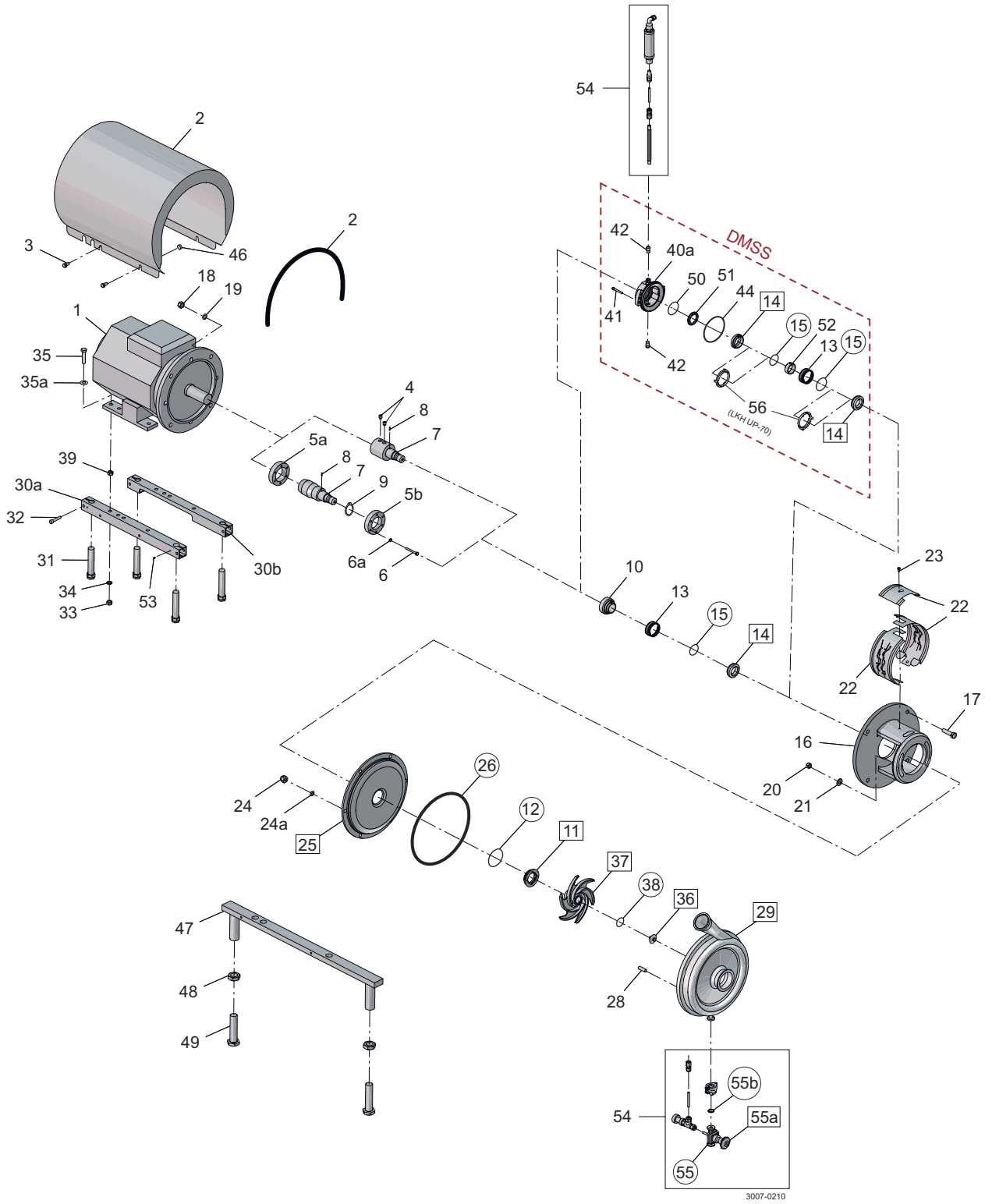
### 9.3 LKH UltraPure - Motor dependent parts



Pos.	Qty.	Denomination
1	1	Motor ABB
2	1	Shroud
3	4	Screw
5a	1	Compression ring with thread
5b	1	Compression ring without thread
6	6	Screw
6a	6	Washer
7	1	Shaft
8	1	Connex pin
9	1	Retaining ring
16	1	Adaptor
17	4	Screw for adaptor
18	4	Nut for adaptor
19	4	Washer for adaptor
22	1	Safety guard set

Pos.	Qty.	Denomination
23	1	Screw for safety guard
30a	1	Support bar, right
30b	1	Support bar, left
31	4	Leg
32	4	Screw
33	4	Nut
34	4	Spring washer
35	4	Screw
35a	4	Washer
39	4	Nut
46	4	Distance sleeve
47	2	Leg bracket
48	4	Nut for leg
49	4	Screw for leg
53	4	Pivot screw

### 9.4 LKH UltraPure - Shaft seal



3007-0210

Pos.	Qty.	Denomination
10	1	Drive ring
11	1	Stationary seal ring
12	1	O-ring
13	1	Spring
14	1	Rotating seal ring
15	1	O-ring
40a	1	Seal housing
41	2	Screw for seal housing
42	2	Fittings

Pos.	Qty.	Denomination
44	1	O-ring for seal housing
50	1	O-ring
51	1	Sec. stationary seal ring
52	1	Drive ring
54	1	Basic 1/2"
55	1	Diaphragm EPDM
55a	1	Diaphragm valve
55b	1	1/2" clamp gasket
56	2	Cup