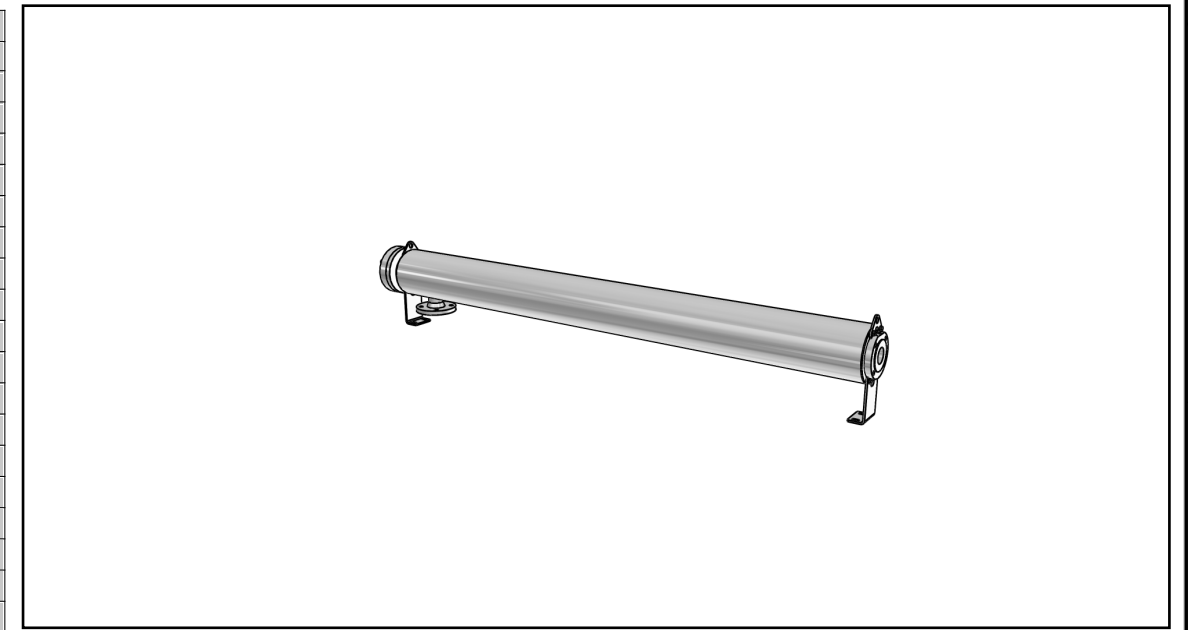
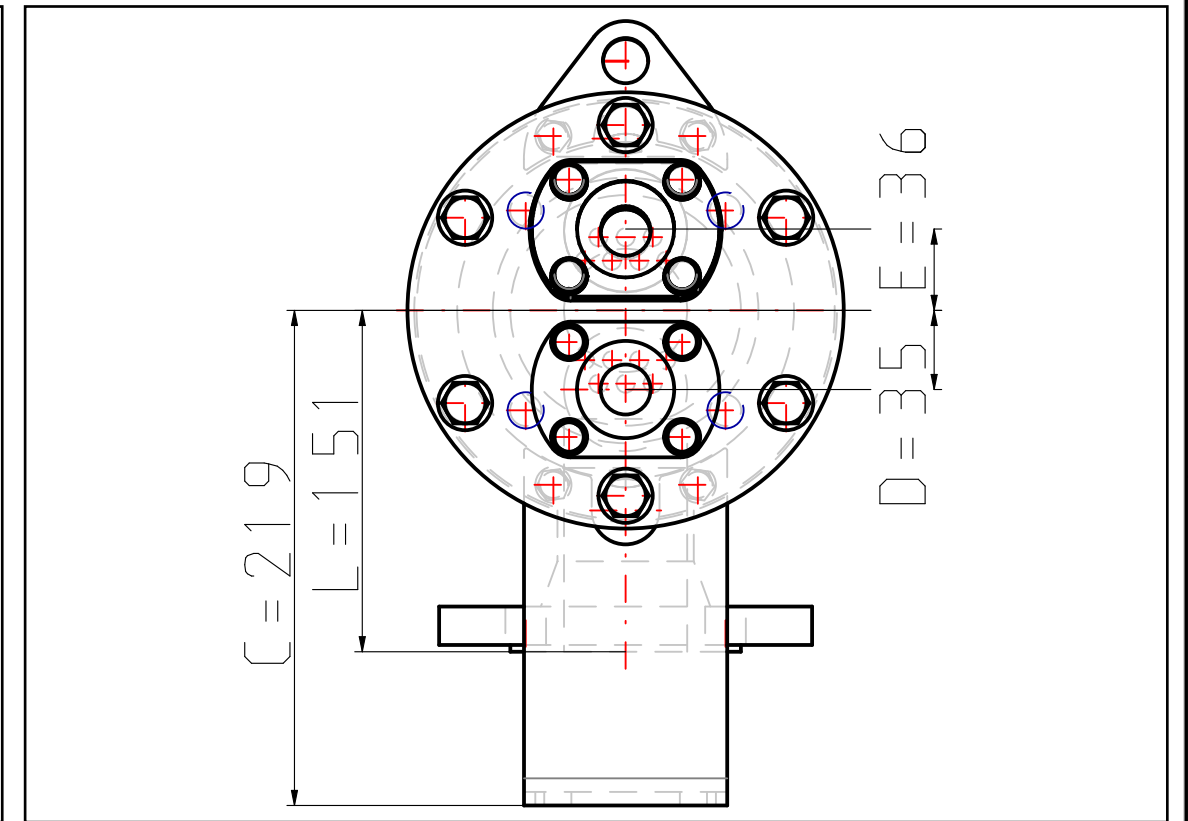
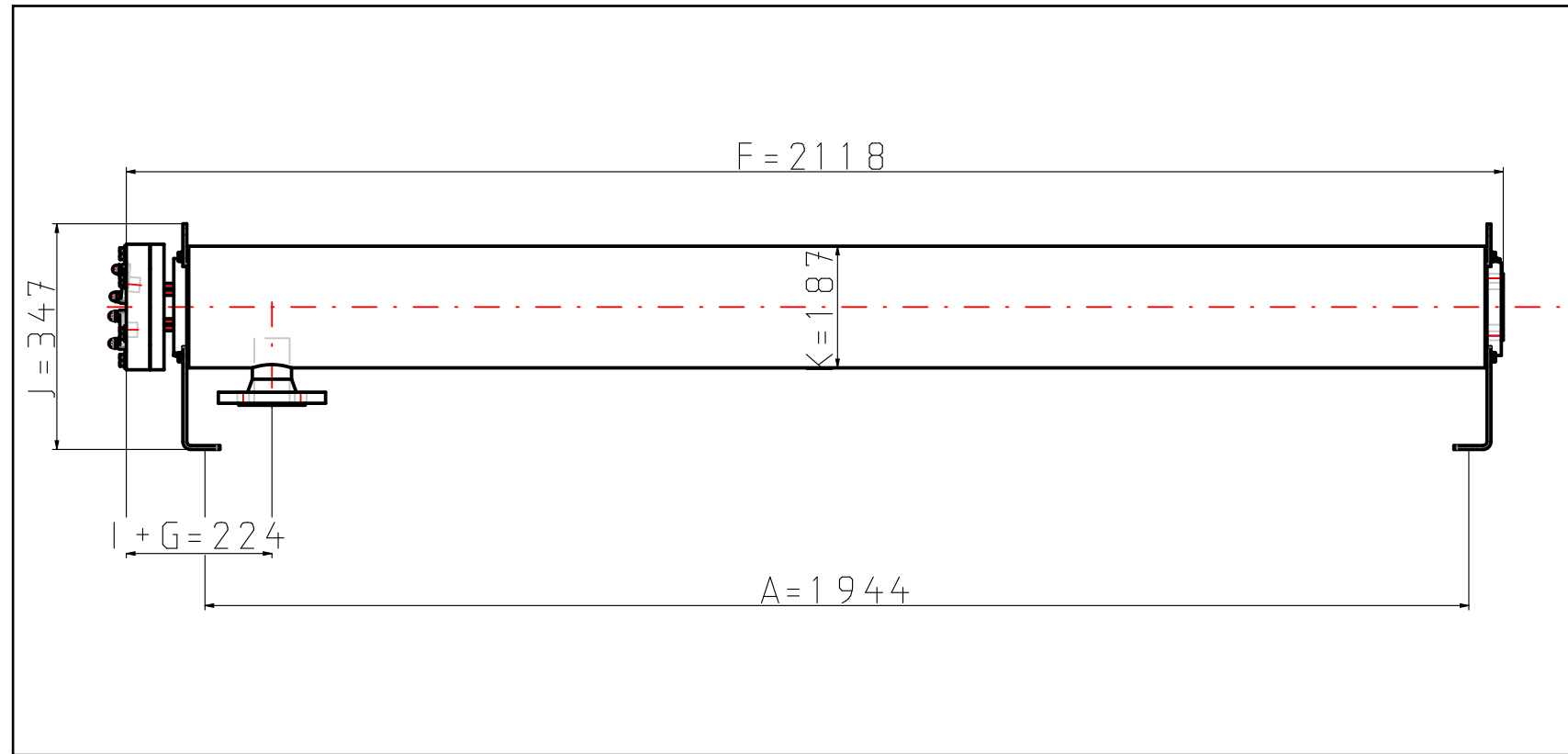


This document and its contents is owned by Alfa Laval AB (publ) or its affiliates and protected by laws governing intellectual property and thereto related rights. Without limiting any rights related to this document, no part of this document may be copied, reproduced or transmitted in any form or by any means (electronic, mechanical, photocopying, recording, or otherwise), or for any purpose than expressed permission of Alfa Laval. Nor may it be used in any other way of for any other purpose than expressly permitted by Alfa Laval. Alfa Laval will enforce its rights related to this document to the fullest extent of the law, including the seeking of criminal prosecution.

Pharma-line S Double Tube Sheet Shell & Tube Heat Exchanger



| | |
|--|---|
| Item No | 9615012631 |
| Model name | Pharma-line S 2-0.6 |
| Product connection size | NAC plate for Tri-clamp ASME BPE 1" |
| Shell connection size | Flange DN50 |
| Item description | Pharma-line S 2-0.6 0,4EP PED |
| Extra description | IY ASME BPE1" DIN2635DN50DN50 |
| Volume shell side | 8.8 l |
| Volume tube side | 1 l |
| Weight empty | 51 kg |
| Nozzles size Tube | ASME/OD 1" |
| Nozzle size flange | DIN2635/EN1092 DN 50 |
| A (Distance) | 1944 mm |
| B (Diameter) | 193 mm |
| C (Height) | 219 mm |
| D (Distance) | 35 mm |
| E (Distance) | 36 mm |
| F (Length) | 2118 mm |
| G (Distance) | 121 mm |
| I (Distance) | 103 mm |
| J (Height) | 347 mm |
| L (Height) | 151 mm |
| K (Diameter) | 187 mm |
| Pressure vessel code | PED (directive 97/23/EC) |
| Design pressure / Shell side | -1/10 bar (g) |
| Design temperature / Shell side | -10/150 °C |
| Material / Shell side | SS 304/304L |
| Material / Media side (tube) | SS316L |
| Connection standard & size / Shell side | Flange: DIN2635/EN1092-1 |
| Connection standard & size / Media side (tube) | NAC plate for Tri-clamp |
| Surface finish | Ra<0,4 EP on product wetted parts |
| Insulation | ASTM C795 with stainless steel cladding |

| Qty | Pos | Item No | Description | Material | Weight (kg) |
|---|-----|---------|-------------------------------------|------------------|----------------------------|
| Edges broken to 0,4x45° or R0,5 Burrs removed | | A3 | Size | 12/07/2016 06:45 | Date |
| | | MM | All Dimm. in | AL CAD Portal | Drawn by |
| | | | Title | | Dept. |
| | | | | | Checked by |
| | | | | | Appr. by |
| | | | | | Std. Checked |
| | | | | | Prod. Checked |
| | | | Special requirements | | |
| | | | First angle projection 150 method E | | |
| | | | | | Complementary document No. |
| | | | | | DRG No. |
| | | | | | 9615012631 |
| | | | | | 1 OF 1 |

Only to the extent expressly agreed by us this document may constitute a contractual obligation on our part

| | | | |
|---------------------|---|---------------------|---|
| Revision No | - | Appr. | - |
| Checked | - | Checked | - |
| Revised | - | Revised | - |
| Date | - | Date | - |
| Revision | - | Revision | - |
| Replaces drawing No | - | Replaces drawing No | - |
| Rev No | - | Rev No | - |

