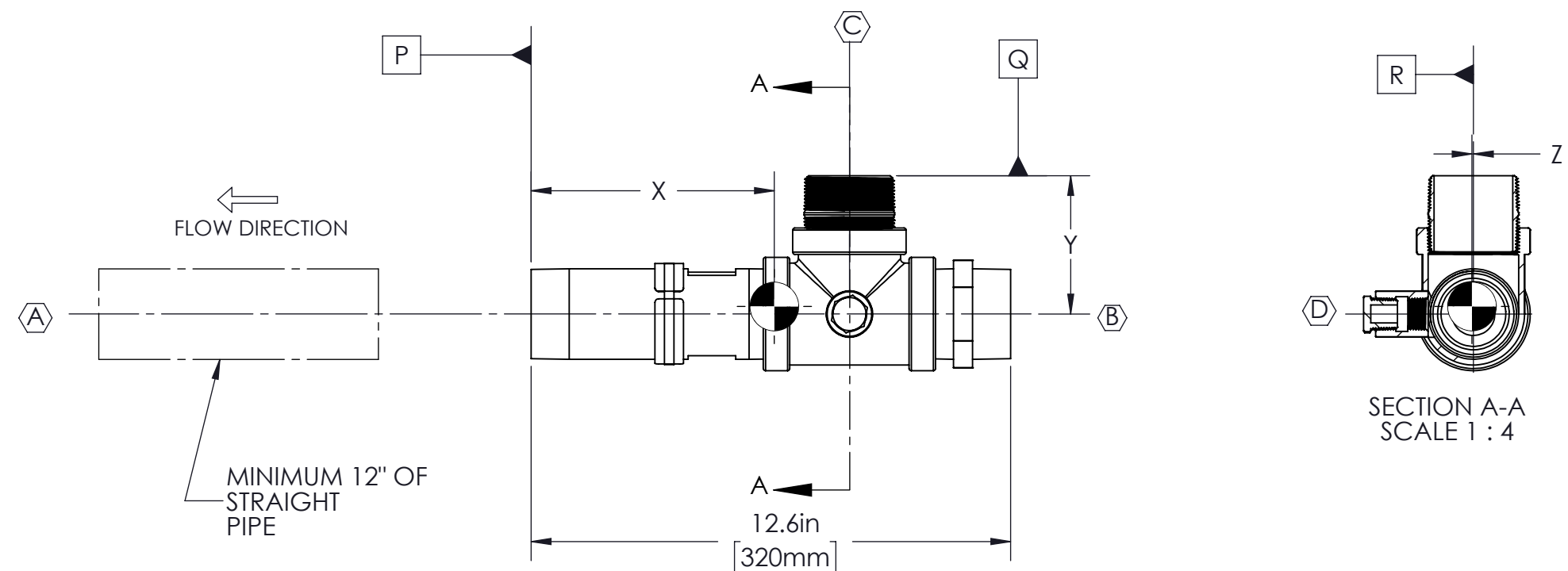


REVISION NOTES			
ECR NUMBER	RELEASE NOTES	DATE	APPROVAL
1139	UPDATE TEMPERATURE INFORMATION	08/05/2019	KA



- NOTES:
- MINIMUM STRAIGHT PIPE LENGTH WITHOUT OBSTRUCTION ON DISCHARGE SIDE TO BE 6X PIPE DIAMETER
 - READ PRODUCT MANUALS BEFORE INSTALLATION AND OPERATION
 - PRODUCT DETAILS
 - SINGLE ADDITIVE SUCTION PORT
 - 0.75" (19.05mm) LOBESTAR MIXING NOZZLE® ORIFICE
 - 65-85 GPM MOTIVE FLOW RATE AT 100-195 FT DIFFERENTIAL HEAD (45-85 PSI DIFFERENTIAL PRESSURE WITH WATER)
 - STAINLESS STEEL SHEAR-MIXER BODY
 - STAINLESS STEEL INSERTS
 - ESTIMATED WEIGHT (DRY): 11lbs OR 5.0 kg

MK. NO.	QTY.	SIZE	RATING & STANDARD	TYPE	SERVICE
A	1	2"	150#, ASME B1.20.1	MNPT	BLENDED DISCHARGE
B	1	2"	150#, ASME B1.20.1	MNPT	FEED INLET
C	1	2"	150#, ASME B1.20.1	MNPT	SUCTION
D	1	1/2"	150#, MSS SP-114	FNPT	GAUGE PORT

C.G LOCATION FROM DATUM P,Q,R			
CONDITION	X	Y	Z
DRY	6.38" (162 mm)	3.65" (92 mm)	0.06 in (1.5 mm)
OPERATING	6.40" (162 mm)	3.65" (92 mm)	0.05 in (1 mm)

Company Confidential Alfa Laval Inc. 10470 Deer Trail Drive Houston, TX 77038 USA www.alfalaval.com (713) 869-2593	Tolerances: Unless Otherwise Stated: Linear Tol.: .X - = +/- .250 (6.35 mm) .XX - = +/- .188 (4.77 mm) .XXX - = +/- .125 (3.18 mm) Angular Tol.: +/- 1° All Dimensions: in		Workflow: Design Released to Production		
	Description: SHEAR-MIXER,SM2003_SGA				
Finish: 125	Drawing Scale: 1:2	Drawn by: <i>XC</i>	Drawn Date: <i>02/15/2019</i>	Old Reference Number: 9984000950	
Approx Weight: 11 Lbs.	Drawing Produced In Accordance With: ASME Y14.5M-2009	Engineering Approval: <i>XC</i>	Approved Date: <i>03/08/2019</i>	Part Number: 9984000950	
Projection Method: THIRD ANGLE	Sheet Size: B	Material: SEE DWG	Sheet: 1 of 1	Drawing Number: 9984000950_SGA	Revision: A