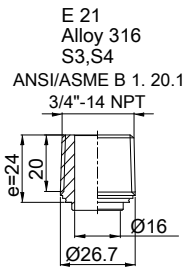
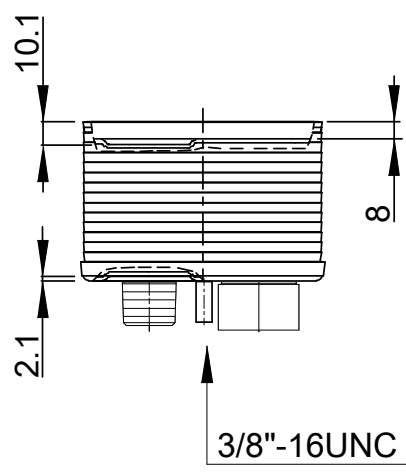
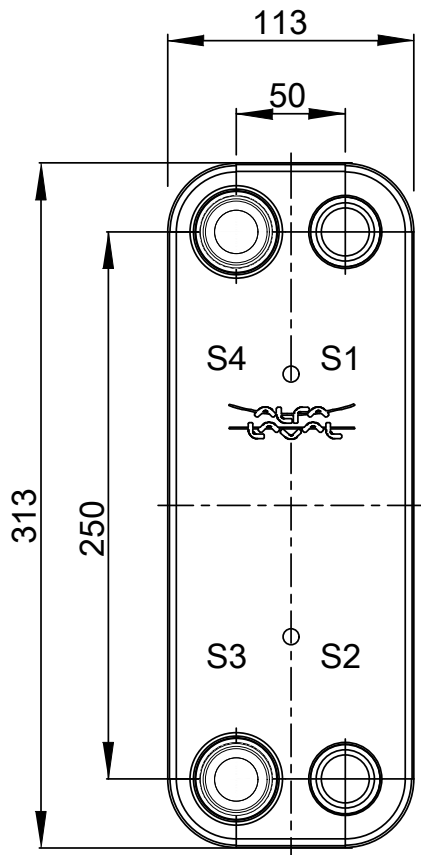
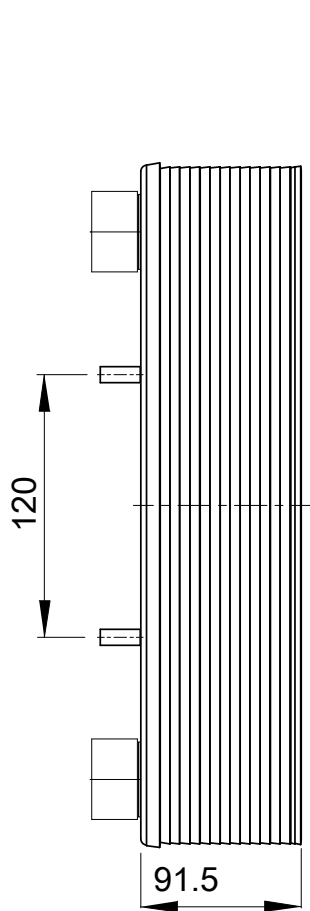
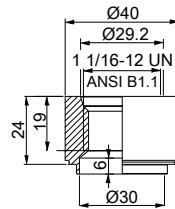


Note that all unique customer requirements (i.e tolerance) need to be verified thru Alfa Laval.



Z45  
Alloy 316  
S1,S2



HEATING SURFACE  
NETWEIGHT 5.3 kg  
OPERATING WEIGHT kg  
PLATE MATERIAL ALLOY 316  
PLATE GROUPING 1\*16H/1\*17H

T1 T2 T3 T4 locations on back side correspond to S1 S2 S3 S4 on front side

ALL DIMENSIONS IN MILLIMETERS

SIDE	MEDIA	INLET	TEMP.	OUTLET	TEMP.	FLOW RATE	PRESSURE DROP	LIQUID VOL.
1		S1		S2				0.92 dm <sup>3</sup>
2		S3		S4				0.86 dm <sup>3</sup>



PRESSURE VESSEL APPROVAL  
CB30-34H (3287112619)

UL/CRN

www.alfalaval.com

CUSTOMER NAME / REF. NO.	TOTAL LENGTH	117.5 mm
	TOTAL WIDTH	113.0 mm
	TOTAL HEIGHT	313.0 mm
COMPANY / REF.		
		1/15/2024 REV 0