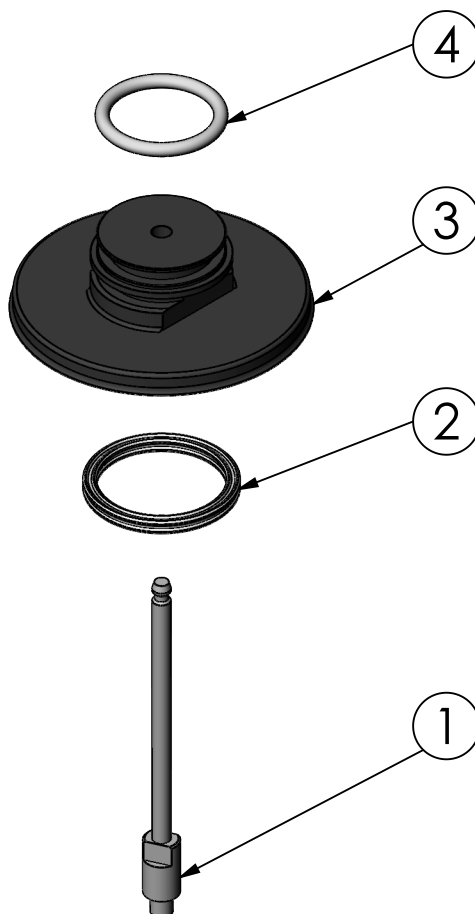


THIS DRAWING AND ALL INFORMATION SHOWN HEREON ARE EXCLUSIVE PROPERTY OF ALFA LAVAL AND ARE SUBMITTED ONLY ON A CONFIDENTIAL BASIS. THE RECIPIENT AGREES NOT TO REPRODUCE THE DRAWING, TO RETURN IT UPON REQUEST AND THAT NO DISCLOSURE OF THE DRAWING OR THE INFORMATION HEREON WILL BE MADE TO A THIRD PARTY WITHOUT PRIOR WRITTEN CONSENT OF ALFA LAVAL.

ITEM NO.	PART NUMBER	DESCRIPTION	QTY.
1	93540645	Adapterbase 8691-4 AL h= 32,5	1
2	93540649	Pin 8691-4 AL L= 107	1
3	93536844	O-ring 34,52 x 3,53 NBR Sh70	1
4	93536552	O-ring 27,8 x 3,60 NBR Sh70	1



Assembly: Follow the Item Order



Version	Revision	Revision-No.	Revision Note	Date (yyyy-mm-dd)

	Alfa-Laval Material No. <p style="text-align: center;">8010014422</p>	
	dimensions without tolerances Drawn: akj Date: 2022-01-27	Name: akj Date: 2022-01-27

Linear Dimensions	Revised	Status	Classification-No. Project-No. Model	Document	Material-No.	Dok.type	Lang.	Sheet 1/1
Radii	Draw-No.	93540655		93540655	EN	format V4	SW	
Angles								

Scale: Do not scale	Repl.for:	Document-Id.	Var.BOM: <input type="checkbox"/>	Mass: 100 g
---------------------	-----------	--------------	-----------------------------------	-------------