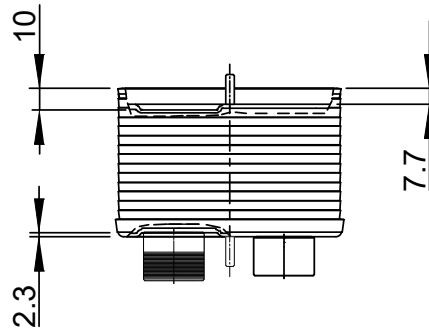
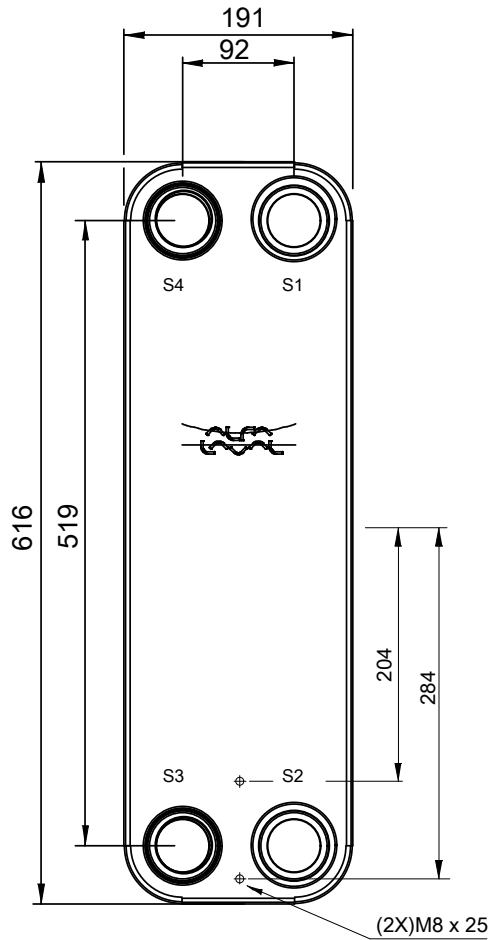
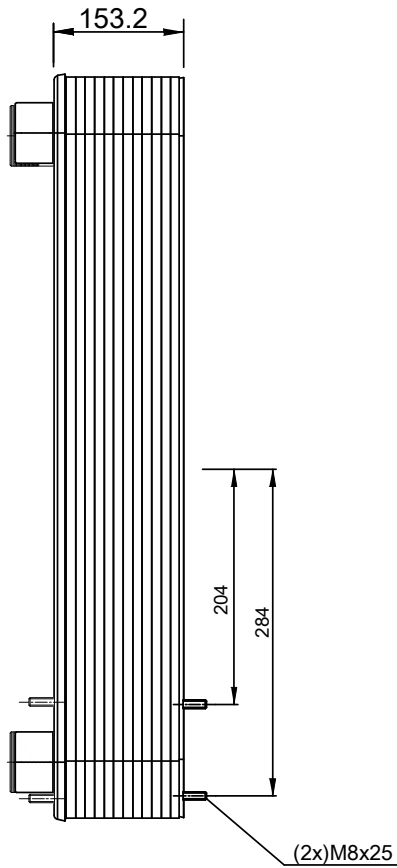
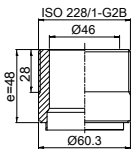


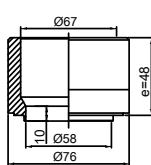
Note that all unique customer requirements (i.e tolerance) need to be verified thru Alfa Laval.



B 23
Alloy 316
S3,S4



O 5
Alloy 316
S1,S2



HEATING SURFACE
NETWEIGHT 25.5 kg
OPERATING WEIGHT kg
PLATE MATERIAL ALLOY 316
PLATE GROUPING 1*26L/1*27L

ALL DIMENSIONS IN MILLIMETERS

SIDE	MEDIA	INLET	TEMP.	OUTLET	TEMP.	FLOW RATE	PRESSURE DROP	LIQUID VOL.
1		S1		S2				5.67 dm ³
2		S3		S4				5.46 dm ³

PRESSURE VESSEL APPROVAL

PED



CB110-54L (3287101757)

www.alfalaval.com

CUSTOMER NAME / REF. NO.

TOTAL LENGTH 216.2 mm
TOTAL WIDTH 191.0 mm
TOTAL HEIGHT 616.0 mm

COMPANY / REF.



1/15/2024
REV 0