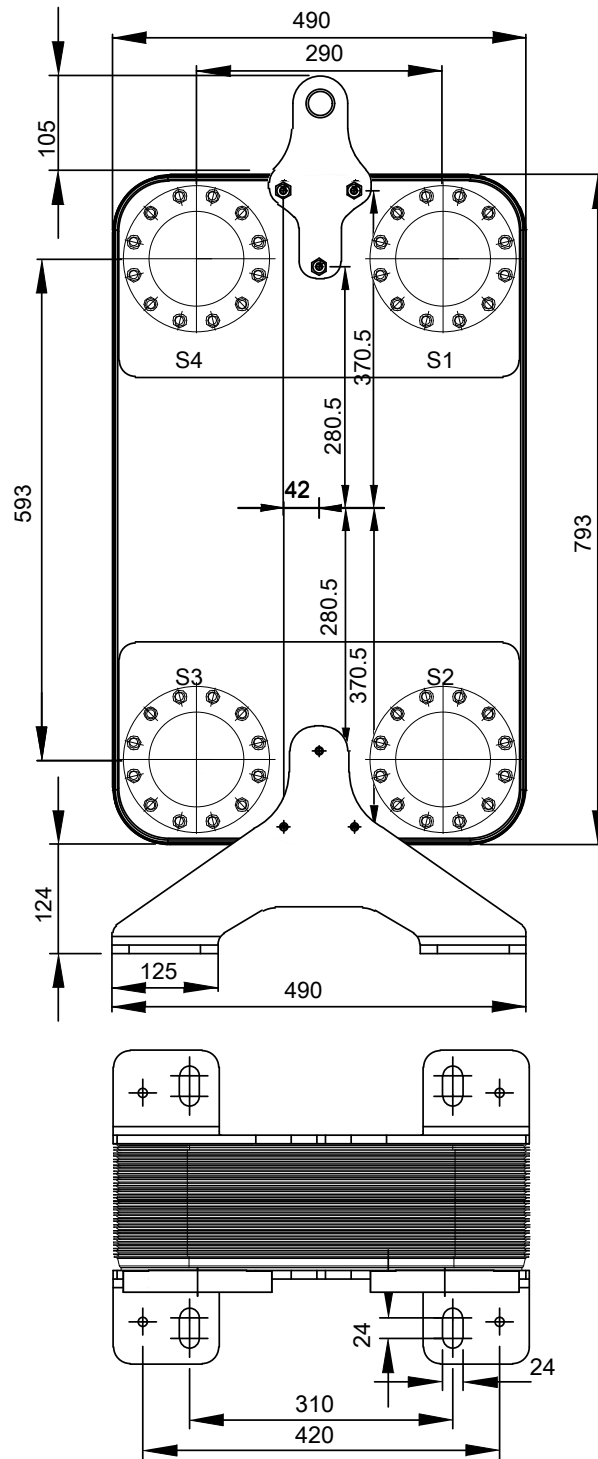
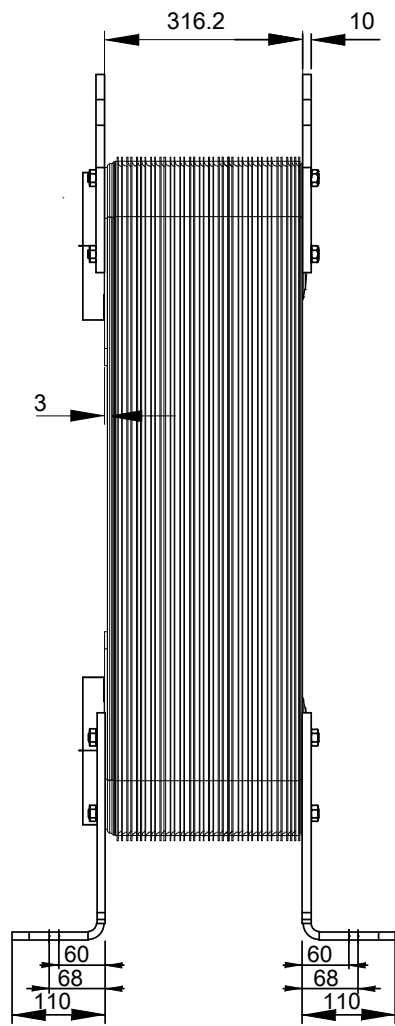
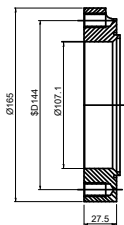


Note that all unique customer requirements (i.e tolerance) need to be verified thru Alfa Laval.

CPF100
Alloy 316
S1,S2,S3,S4



HEATING SURFACE
NETWEIGHT 195.9 kg
OPERATING WEIGHT kg
PLATE MATERIAL ALLOY 316
PLATE GROUPING 1*69L/1*70L

T1 T2 T3.1 T3.2 T4.1 T4.2 locations on back side
correspond to S1 S2 S3.1 S3.2 S4.1 S4.2 on front side

ALL DIMENSIONS IN MILLIMETERS

SIDE	MEDIA	INLET	TEMP.	OUTLET	TEMP.	FLOW RATE	PRESSURE DROP	LIQUID VOL.
1		S1		S2				48.3 dm³
2		S3		S4				47.6 dm³

PRESSURE VESSEL APPROVAL

PED



CB410-140L-F (3075007677)

www.alfalaval.com

CUSTOMER NAME / REF. NO.

TOTAL LENGTH 536.2 mm
TOTAL WIDTH 490.0 mm
TOTAL HEIGHT 1022.0 mm

COMPANY / REF.



1/15/2024
REV 0