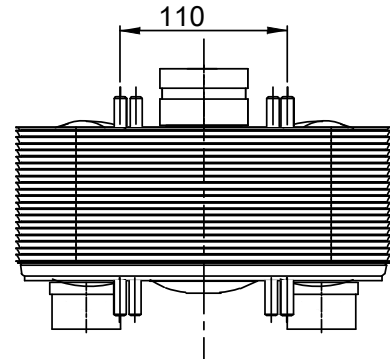
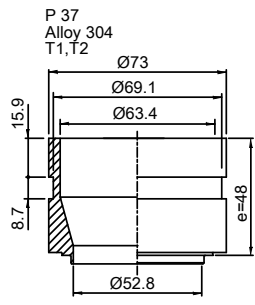
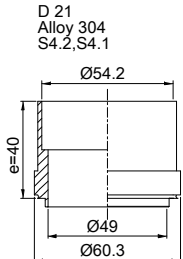
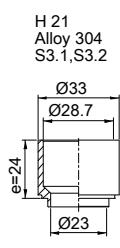
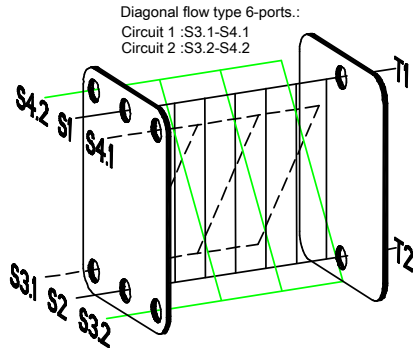
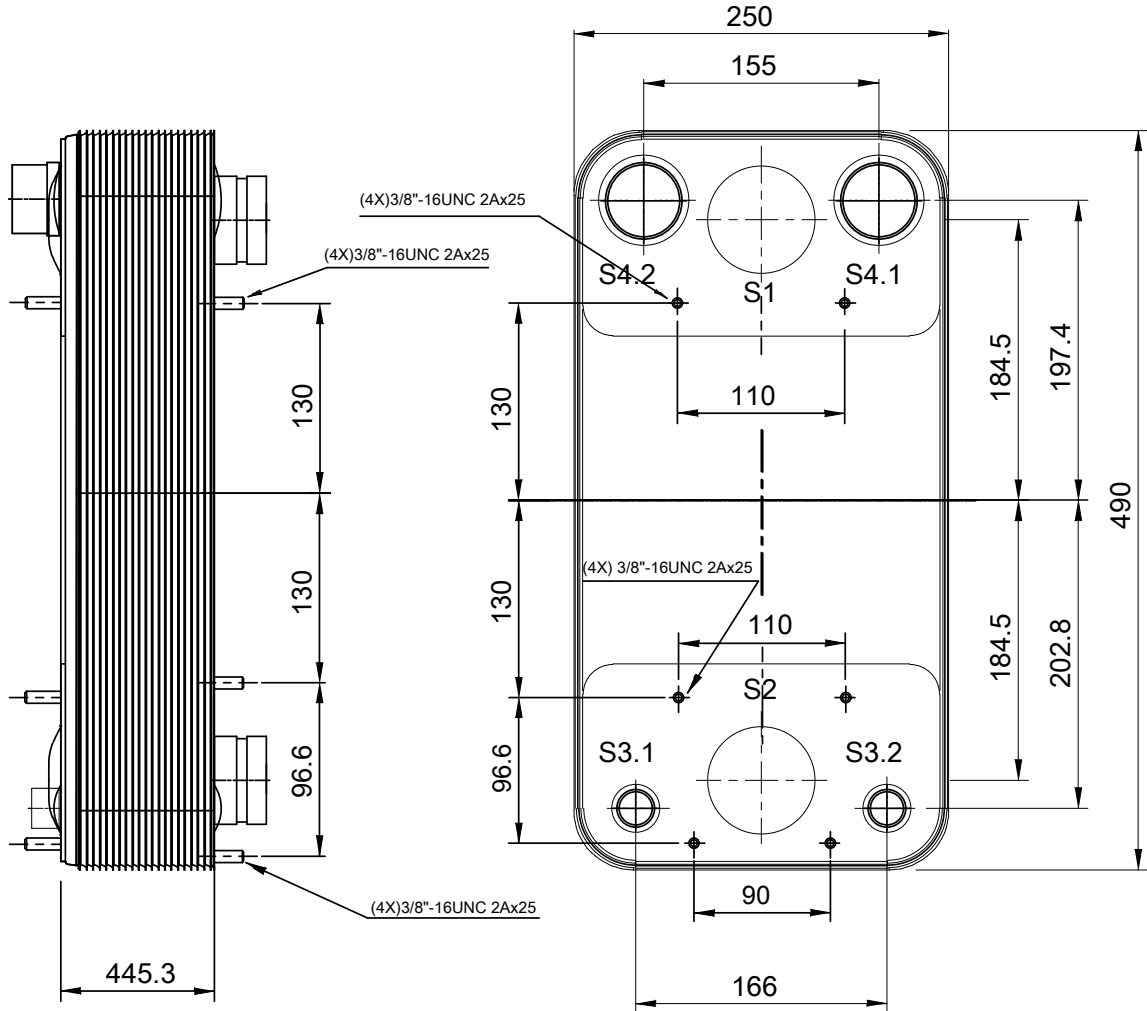


T1 T2 T3.1 T3.2 T4.1 T4.2 locations on back side correspond to S1 S2 S3.1 S3.2 S4.1 S4.2 on front side

Note that all unique customer requirements (i.e tolerance) need to be verified thru Alfa Laval.



HEATING SURFACE  
 NETWEIGHT 86.2 kg  
 OPERATING WEIGHT kg  
 PLATE MATERIAL ALLOY 316  
 PLATE GROUPING 1\*50HR|1\*50HR/1\*101HR

ALL DIMENSIONS IN MILLIMETERS

SIDE	MEDIA	INLET	TEMP.	OUTLET	TEMP.	FLOW RATE	PRESSURE DROP	LIQUID VOL.
1		S4.2,T2		S3.2,T1				15.8 dm <sup>3</sup>
2		S4.1		S3.1				10.0/10.0 dm <sup>3</sup>

PRESSURE VESSEL APPROVAL UL/CRN

ACH-230DQ-202H-F (3287084574)

www.alfalaval.com

CUSTOMER NAME / REF. NO.	TOTAL LENGTH	529.3 mm
	TOTAL WIDTH	250.0 mm
	TOTAL HEIGHT	490.0 mm
COMPANY / REF.		
		1/15/2024 REV 0