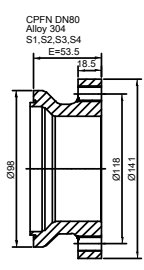
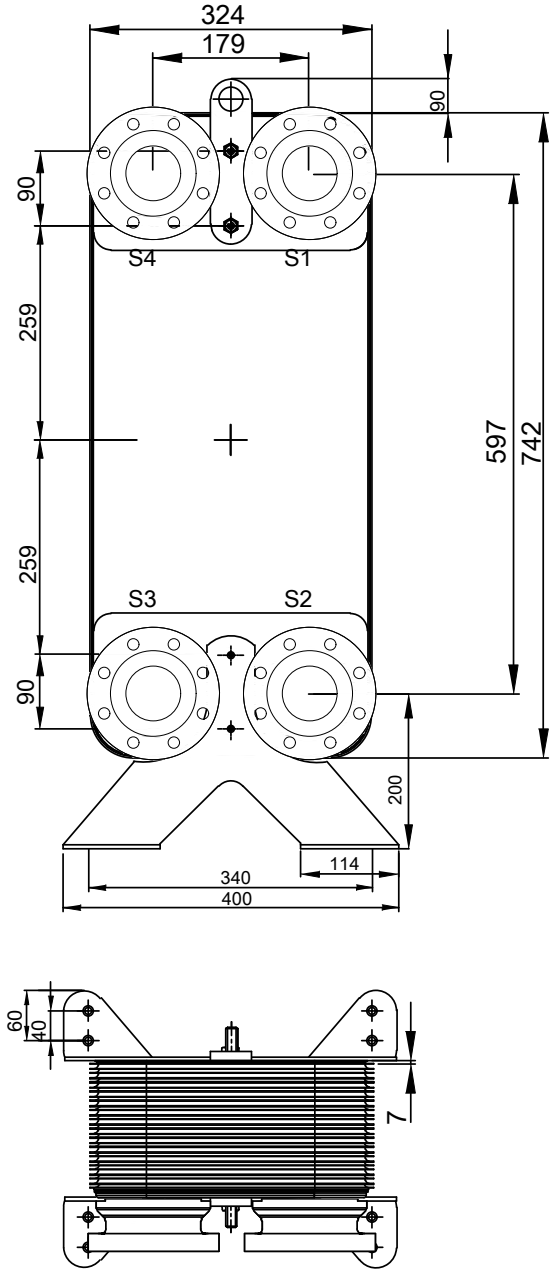
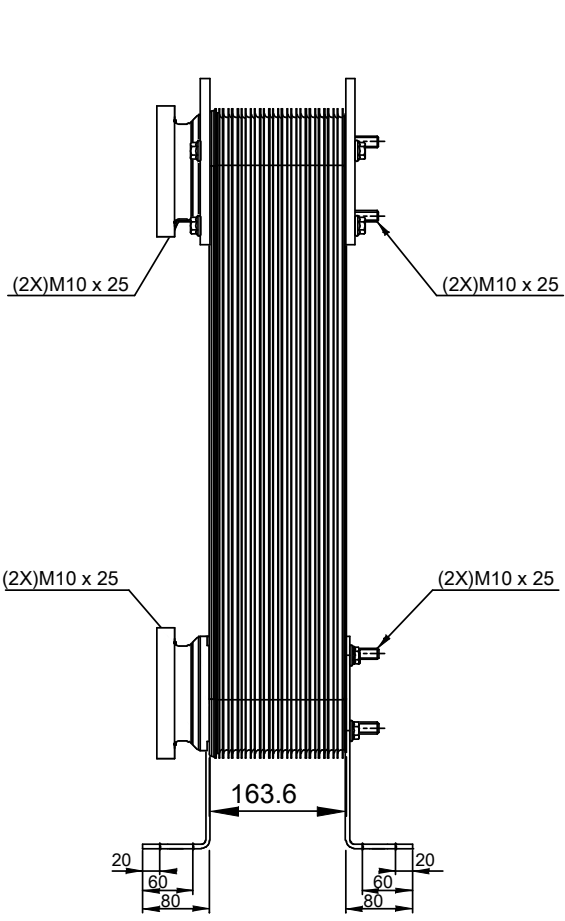


HEATING INSULATION INCLUDED

Thickness: 45 mm



HEATING SURFACE
 NETWEIGHT 66.5 kg
 OPERATING WEIGHT kg
 PLATE MATERIAL ALLOY 316
 PLATE GROUPING 1*34H/1*35H

ALL DIMENSIONS IN MILLIMETERS

SIDE	MEDIA	INLET	TEMP.	OUTLET	TEMP.	FLOW RATE	PRESSURE DROP	LIQUID VOL.
1		S1		S2				17.6 dm ³
2		S3		S4				17.1 dm ³

Note that all unique customer requirements (i.e tolerance) need to be verified thru Alfa Laval.

PRESSURE VESSEL APPROVAL PED/UK



CB210-70H-F (3075033699)

www.alfalaval.com

CUSTOMER NAME / REF. NO.	TOTAL LENGTH	323.6 mm
	TOTAL WIDTH	324.0 mm
COMPANY / REF.	TOTAL HEIGHT	959.0 mm



4/16/2024
REV 0