

Alfa Laval tank covers circular

Tank covers

Content

- Circular cover Type HLSD-2
- Circular cover Type LKDC
- Circular cover Type LKDC - LPB and LP
- Circular cover Type C, CG and CG-LP
- Circular cover Type LKDS

Circular cover Type HLSD-2

Introduction

The Alfa Laval Access Tank Cover – Circular Cover Type HLSD-2 is an outward-opening manway cover that provides a secure fit for openings on top of pressurized tanks and containers. It is approved for use on pressure vessels according to PED 2014/68/EU.

The HLSD-2 offers a quick, easy and convenient means of entry and egress to tank interiors. It also provides a closable means of access to the interior of the vessel, situated above or below the liquid level.

Application

The Access Tank Cover – Circular Cover Type HLSD-2 is designed for use in hygienic applications across the dairy, food, beverage, biotechnology, pharmaceutical and many other industries.

Benefits

- Versatility to cover all tank needs
- Hygienic design
- Easy to handle

Standard design

The Access Tank Cover – Circular Cover Type HLSD-2 consists of stainless steel lid, frame, hinge, swing bolt and seals. It is designed for installation in pressure vessels according to AD



2000-Merkblätt. The cover is not pressure tested and must be tested as a part of the pressure vessel. The HLSD-2 meets the PED 2014/68/EU, Fluid Group 1 and 2 and hazard category IV.

Working principle

The Alfa Laval Access Tank Cover – Circular Cover Type HLSD-2 lid is secured in the closed position by swing bolts. Together with the seal in the cover, the swing bolts ensure complete tightness. Attached to the frame by a rigid hinge, the cover secures the exact location of the cover in the closed position and is designed to stop the cover at an angle of 68-86° beyond the vertical position when opening.

Certificates

- 3.1 Certificate (EN10204)
- EC unit verification module G according to PED 2014/68/EU
- FDA declaration §177.2600 for seal material
- ASME BPE Certificate (option)

Technical data

Sizes

7.87 in, 11.81 in, 15.75 in, 17.72 in, 19.68 in and 23.62 in.

Pressure

Max. allowable pressure:	According to selection table
Min. allowable negative pressure:	Full vacuum
Max. test pressure Ptest:	According to selection table

Physical data

Materials

Product wetted steel parts:	1.4404 (AISI 316L)
Other steel parts:	1.4301 (AISI 304)
Seal:	EPDM, FPM, Silicone, FEP covered silicone, FEP covered FPM, PFA covered silicone

Standard surface finish

Semi bright

Outside:	Ra 64 µin
Inside:	Ra 32 µin

Temperature

Temperature range:	14 °F to 482 °F
--------------------	-----------------

Options

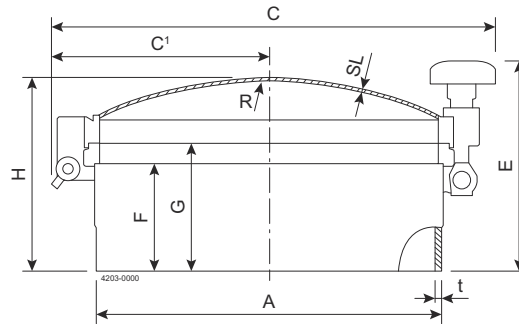
- Spring to assist opening.
- Arrangement for securing cover in open and closed position.
- Bracket for indication unit in size ø12 or ø18. Please specify size at order.
- Handle in stainless steel.
- Guide for cover for vertical installation. Please define positioning of the hinge (right or left hand side).
- Sight glass DIN 28120.
- Sight glass DIN 11851.
- Safety grid.
- Special surface finish.
- Frame height G = 11.82 inch.
- Seal of Q (silicone), FPM, FEP covered silicone, PFA covered silicone, FEP covered FPM.
- Conical frame, different frame thickness and frame height available on request.

Selection table

Size inch	A inch	Num-ber of bolts	Max. allowable pressure PS (bar) at design temperature Td (°C / °F)					Max. test pressure Ptest	Cover thickness (SL)	Cover radius inch
			122 °F	212 °F	302 °F	392 °F	482 °F			
7.87	8.19	4	213.2	188.5	171.1	156.6	145	306.0	0.31	19.68
			110.2	97.2	92.8	88.5	87	195.8	0.2	19.68
11.81	12.13	6	136.3	121.8	108.8	100.1	92.8	195.8	0.24	19.68
			63.8	55.1	53.7	50.8	49.3	146.5	0.16	19.68
		8	95.7	84.1	79.8	76.9	75.4	207.4	0.2	19.68
			126.2	111.7	107.3	103	98.6	207.4	0.24	19.68
15.75	16.06	6	75.4	66.7	63.8	60.9	59.5	174.0	0.16	19.68
			101.5	88.5	85.6	82.7	79.8	181.3	0.2	19.68
17.72	18.03	10	126.2	111.7	103	101.5	98.6	210.3	0.24	19.68
			60.9	53.7	52.2	49.3	47.9	142.1	0.16	19.68
19.68	20.00	8	82.7	72.5	69.6	66.7	65.3	155.2	0.16	19.68
			108.8	100.1	95.7	91.4	89.9	174.0	0.2	19.68

Size inch	A inch	Num-ber of bolts	Max. allowable pressure PS (bar) at design temperature Td (°C / °F)					Max. test pressure Ptest	Cover thickness (SL)	Cover radius
			122 °F	212 °F	302 °F	392 °F	482 °F			
23.62	23.94	6	43.5	37.7	36.3	34.8	33.4	100.1	0.16	19.68
		8	58.0	50.8	47.9	46.4	45	111.7	0.16	19.68
		10	72.5	63.8	60.9	58	56.6	111.7	0.16	19.68
		12	87.0	76.9	72.5	71.1	68.2	127.6	0.2	19.68
		14	101.5	88.5	85.6	82.7	78.3	145.0	0.2	19.68

Dimensions (inch)



Size	7.87	11.81	15.75	17.72	19.68	23.62
A	8.19	12.13	16.06	18.03	20	23.94
C ₁	6.06	8.03	10	10.98	12.17	14.13
C	12.6	16.54	20.47	22.44	24.61	28.54
E	9.33	9.33	9.72	9.72	9.72	9.72
F	4.92	4.92	4.92	4.92	4.92	4.92
G	5.91	5.91	5.91	5.91	5.91	5.91
H	7.28	7.8	8.9	9.45	9.88	11.22
R	19.68	19.68	19.68	19.68	19.68	19.68
Dimension only for guidance, measured before grinding and polishing						
t ¹	0.16	0.16	0.16	0.16	0.16	0.16

¹ Dimension only for guidance, measured before grinding and polishing

O-ring gaskets (HLSD-2)

Silicone

Colour:	transparent
Temperature:	-58 °F to +390 °F FDA / USP Class VI

EPDM

Colour:	black
Temperature:	-58 °F to +302 °F FDA / USP Class VI

Viton (FPM)

Colour:	green
Temperature:	-4 °F to +392 °F FDA

FEP covered Silicone

Colour:	shell: transparent, core: red
Temperature:	-76 °F to +392 °F FDA / USP Class VI

FEP covered Viton (FPM)

Colour:	shell: transparent, core: black
Temperature:	-4 °F to +392 °F FDA / USP Class VI

PFA covered Silicone

Colour:

shell: transparent, core: red

Temperature:

-76 °F to +446 °F FDA / USP Class VI

Circular cover Type LKDC



Introduction

The Alfa Laval Access Tank Cover - Circular Cover Type LKDC is a high-quality opening that provides quick, easy and convenient entry and egress to tank interiors. Available with a variety of surface finishes and seal materials, the Circular Cover Type LKDC securely fit the openings of low- or non-pressurized tanks.

Application

The Access Tank Cover - Circular Cover Type LKDC stainless steel manway cover is used on the top of tanks or containers across the dairy, food, beverage, and biopharm industries, where a hygienic closeable mean of access to the interior of the tank is required.

Benefits

- Covering all tank needs
- Hygienic design
- Available as a 3-A approved version
- Can be supplied with safety grid

Technical data

Working pressure

LKDC-306, 404, 454, 518, 620:	No pressure
LKDC-202:	5.8 PSI

Physical data

Materials

Lid and frame:	1.4301 (304) or 1.4404 (316L)
Plastic parts:	Nylon
Seals:	EPDM or NBR or FPM or Q (silicone)

Finish

Surface finish:	Acid Pickled
Product wetted surfaces:	Ra 32 µin (Excluding welding zone)
Other frame and lid surfaces:	Ra 32 µin (Excluding welding zone)

Standard design

To enable visual inspection and/or physical entry into the tank, the tank cover swings outwards. The LKDC Tank covers needs to be positioned above the liquid level.

The Alfa Laval Access Tank Cover - Circular Cover Type LKDC is available in AISI 304 or AISI 316L stainless steel with EPDM, NBR, FPM or Q (silicone) seal materials. Surface finishes include electropolished, brushed and acid pickled finishes and vary from Ra 0.4 to Ra 0.8 to meet the exceptionally high quality requirements of hygienic processes. In addition, a 3.1 Material Certification in accordance with EN 10204 is supplied. For more information, please refer to documentation and the Tank cover selection guide.

Working principle

The Alfa Laval Access Tank Cover - Circular Cover Type LKDC is supplied with a unique replaceable, self-sealing double lip seal to prevent fluids from spraying out, for instance, during CIP cleaning and similar processes or during travel on mobile tanks.

The seals are produced in compliance with 3-A recommendations. Open the cover by loosening the handle.

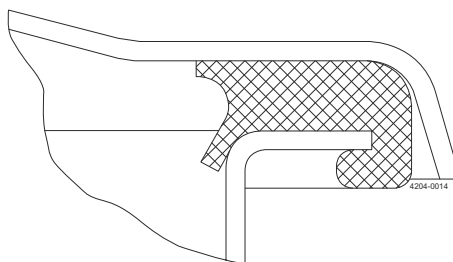


Figure 1. Double lip seal

Certificates

3.1 certificate



Authorized to carry the 3A symbol

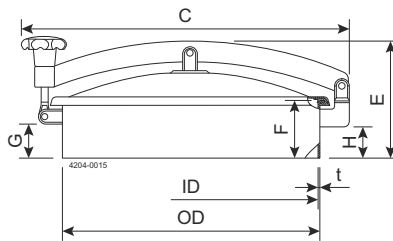
3A finish

3A surface finish:	Acid pickled
Product wetted surfaces:	Ra 16 μin
Other frame and lid surfaces:	Ra 16 μin (Excluding external welding zone)

Temperature

Min. temperature:	- 4 °F
Max. temperature (NBR):	-22 °F / 230 °F
Max. temperature (Q):	-58 °F / 392 °F
Max. temperature (EPDM, not for oil and fat):	-15 °F / 194 °F
Max. temperature (FPM flourinated rubber):	14 °F / 482 °F

Dimensions (inch)

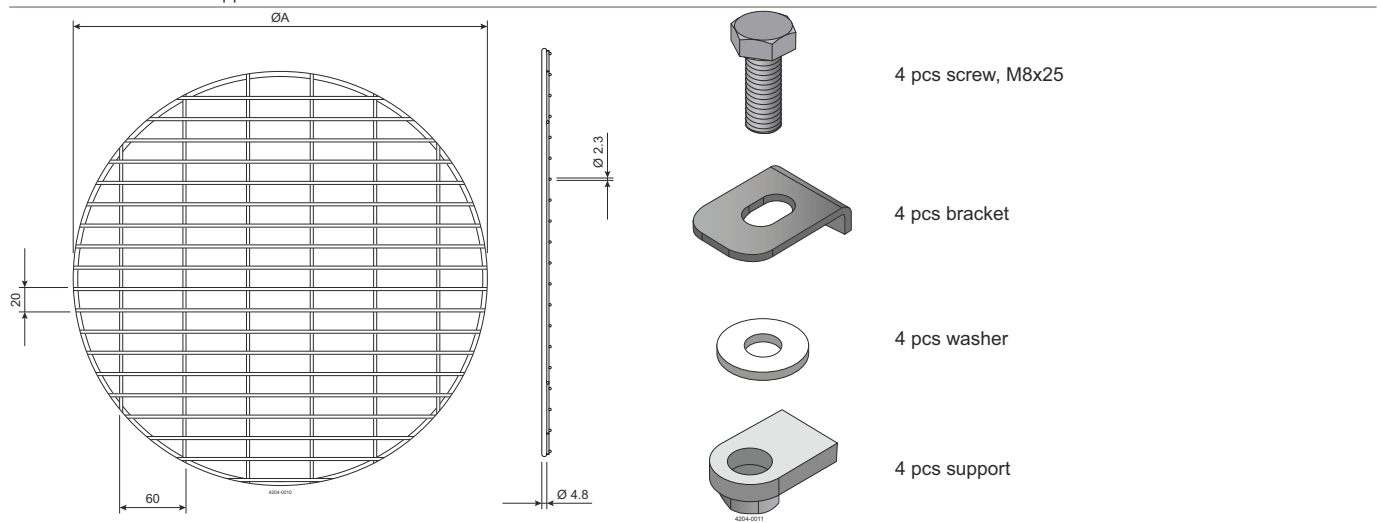


Size/OD	202	306	404	454	454	518	518	620	620
ID	7.80	11.89	15.75	17.64	17.64	20.16	20.16	24.17	24.17
F	3.35	3.94	3.94	3.94	7.87	3.94	7.87	3.94	7.87
t	0.08	0.08	0.08	0.12	0.12	0.12	0.12	0.12	0.12
C	13.94	17.99	21.85	23.98	23.98	26.57	26.57	30.63	30.63
G	1.97	2.52	2.52	2.56	6.50	2.08	6.38	2.44	6.38
H	1.69	2.52	2.32	2.36	6.30	2.28	6.22	2.32	6.26
E	6.14	5.75	7.01	7.91	11.85	7.76	10.12	7.99	11.93
Cover thickness	0.06	0.06	0.08	0.08	0.08	0.12	0.12	0.12	0.12
Weight (lbs)	7.5	13.9	18.3	26.9	34.8	31.7	39.0	41.4	53.6

Options

Wire safety grid.

For installation in non-3A approved LKDC manhole covers.

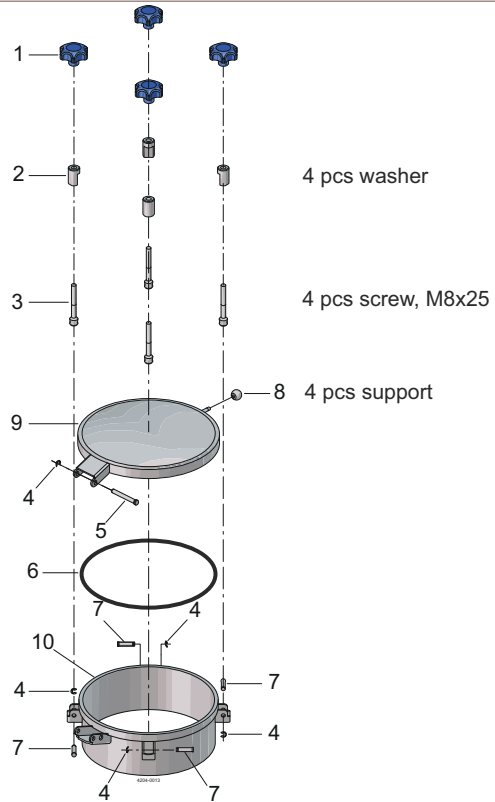
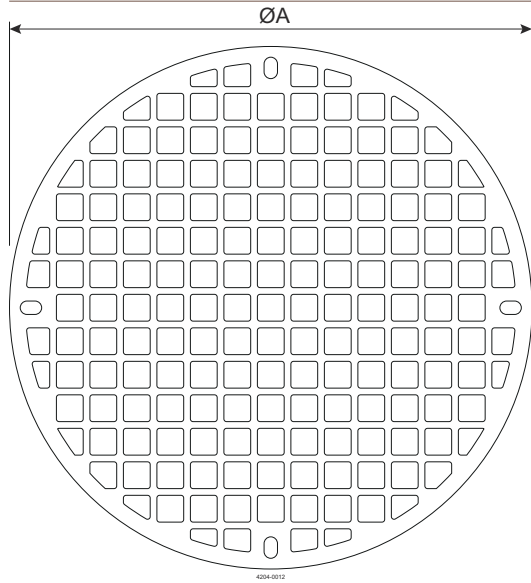


Dimensions:

LKDC	ØA	
	mm	inch
202	190	7.48
306	298	11.73
404	390	15.35
454	445	17.52
518	498	19.61
620	598	23.54

Material: 316L

Laser-cut safety grid. For installation in non-3A approved LKDC manhole covers.



Dimensions:

LKDC	ØA	
	mm	inch
202	190	7.48
306	296	11.65
404	390	14.96
454	436	17.17
518	500	19.68
620	605	23.82

Material: 316L

Circular cover Type LKDC - LPB and LP



Introduction

The Alfa Laval Access Tank Cover - Circular Cover Type LKDC – LPB and LP is a stainless steel manway cover that provides a secure fit for openings on top of tanks or containers that require quick, easy and convenient entry and egress to vessel interiors.

It is engineered to withstand vacuum conditions created during cleaning procedures or during production under low pressure conditions up to 1 bar.

Application

The Access Tank Cover - Circular Cover Type LKDC – LPB and LP are designed to cover openings on top of tanks or

containers in hygienic applications across the dairy, food, beverage, brewery, wine, juice, personal care, pharmaceutical and many other industries.

Benefits

- Cost efficient solution for low pressure tanks
- Hygienic design
- Safe and easy handling with safety pin and springs on the handles of the LKDC-LP type

Standard design

To enable visual inspection and/or physical entry into the tank, the tank cover swings outwards. Tank covers may be positioned above and below liquid level to meet different application requirements.

The LKDC-LPB consists of AISI 304 or AISI 316L stainless steel lid and frame and EPDM seals and plastic handles.

The LKDC-LP consists of AISI 304 or AISI 316L stainless steel lid and frame and EPDM seals, handles, springs and safety pin for easy and safe handling. Acid-pickled surface finishes meet the high-quality requirements of hygienic processes; product wetted surfaces are $Ra \leq 32 \mu\text{in}$. Other surfaces are $Ra \leq 47 \mu\text{in}$.

Certificates

3.1 (cover and frame are supplied with material certificate 3.1 according to EN10204).

Technical data

Pressure

Working pressure: -14.5 to 14.5 psi



Note! The low pressure cover can stand up to 14.5 psi and is not PED approved.

Temperature

Temperature range: 14 to 302 °F

Physical data

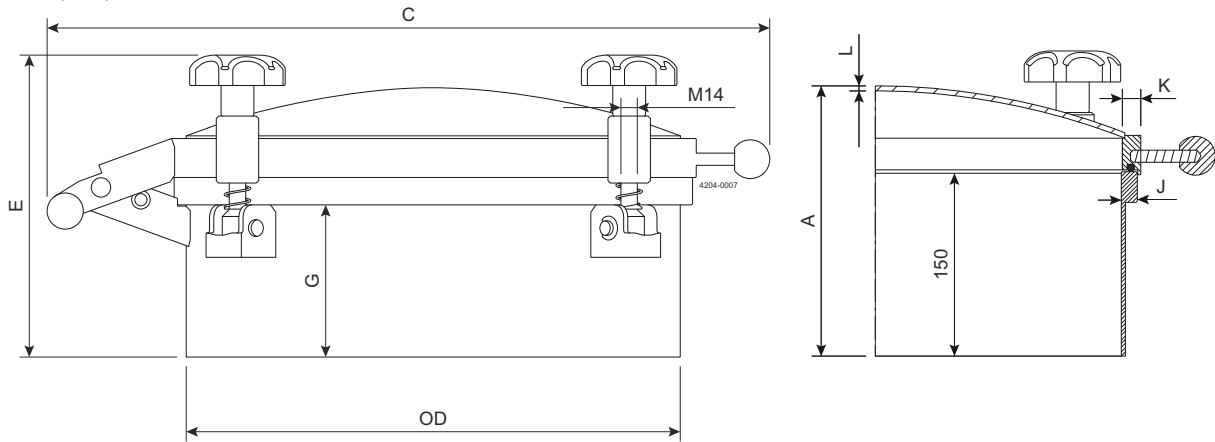
Materials

Lid and frame:	1.4301 (304) or 1.4404 (316L)
Plastic parts:	Nylon Seals
(standard):	EPDM Seals
(optional):	NBR or FPM or Q (silicone)
Surface finish:	Acid Pickled
Product wetted surfaces:	$Ra \leq 31 \mu\text{in}$
Other surfaces:	$Ra \leq 47 \mu\text{in}$

Temperature:

EPDM:	5 °F / 194 °F
NBR:	-22 °F / 230 °F
SILICONE (Q):	-58 °F / 392 °F
FPM:	14 °F / 482 °F

Dimensions (inch)



Size	300	400	450	500	600
OD	12.05	15.98	18.03	19.92	23.94
C	19.02	23.39	26.02	27.6	31.77
A	8.31	8.7	9.09	9.13	9.72
E	9.29	9.29	9.29	9.29	9.29
G	3.23	3.23	2.64	2.64	2.64
K	0.59	0.59	0.71	0.71	0.71
J	0.51	0.51	0.55	0.55	0.55
Frame height	5.91	5.91	5.91	5.91	5.91
Frame thickness H	0.12	0.12	0.16	0.16	0.16
Weight (lb)	34.4	47.0	62.0	72.3	1.72
No. off handles	3	4	4	6	6

Circular cover Type C, CG and CG-LP



Introduction

The Alfa Laval Access Tank Cover - Circular Covers Type C, CG, CG-LP are a range of stainless steel manway cover that provides a secure fit for openings of tanks or containers. It offers a quick, easy and convenient means of entry and egress to tank interiors. It also provides a closeable means of access to the interior of the vessel, situated above or below the liquid level for tank top installation.

Application

The Access Tank Cover - Circular Cover Type C is designed for use on static tanks, process tanks, palletized road tankers and standard road tankers in a wide range of applications across the dairy, food, beverage and many other industries.

The type CG and CG-LP are designed for use on tanks, where a glass lid is used to visual inspection of the tank interior.

Benefits

- Versatility to cover all tank needs
- Swing flexibility due to optional hinge, for opening inwards, outwards or sideways
- Glass lid for non- or low-pressure (1 bar) applications

Standard design

The construction of Alfa Laval Access Tank Cover - Circular Cover Type consists of an AISI 304 or 316L stainless steel frame and cover, plastic or stainless steel handle and seal (EPDM, NBR, FPM, Silicone).

To enable visual inspection and/or physical entry into the tank for stainless steel covers, the tank cover swings inwards, outwards or sideways, depending upon the model. Tank covers can be positioned above and below liquid level to meet different application requirements. The CG type glass lid cover functions as an inspection or access port to the tank through a glass lid. It makes it possible to inspect the interior of the tank or the product without opening the tank, suitable for non-pressure tanks.

The CG-LP type glass lid cover is designed for up to 1 bar pressure and full-vacuum.

Electro-polished and acid pickled surface finishes (<Ra 0.8 μm) on the wetted part meet hygienic process quality requirements. 3.1 Material Certification in accordance with EN 10204 is supplied.

Optional stainless steel handle and relief valve are available for certain models.

Working principle

Open the cover by loosening the handle. This range includes covers with various openings.

Certificates

3.1 (cover and frame are supplied with material certificate 3.1 according to EN10204).

Technical data

Options:

SS handle on request

Relief valve

Physical data

Materials

Steel parts:	1.4301 (304) or 1.4404 (316L)
Plastic parts:	Nylon
Seal:	EPDM, NBR, FPM or silicone
Glass part:	Sodalime tempered glass (max. temperature 248 °F)

Cover finish

Electro polished

Internal: Ra 32 µin

Frame

Acid Pickled

Internal: Ra 32 µin

Temperature

EPDM:	5 °F / 194 °F
NBR:	-22 °F / 230 °F
SILICONE (Q):	-58 °F / 392 °F
FPM:	14 °F / 482 °F

Cover shape	Type	Function	Pressure Range ¹ (PSI)	Relief Valve (option)
Circular	C-202	Static tank	6	x
Circular	C-202A	Static tank	6	
Circular	C-202B	Static tank	6	
Circular	C-306	Static tank	2	x
Circular	C-404	Static tank	0	x
Circular	C-404SB	Static tank	0	x
Circular	C-404ASB	Static tank	0	x
Circular	C-404BSB	Static tank	0	x
Circular	C-404CC	Palletized road tanker	14.5	
Circular	C-404H6	Static tank	17	
Circular	C-404AH4	Static tank	3	x
Circular	C-418	Static tank	9	
Circular	C-454	Static tank and road tanker	0	x
Circular	C-454A	Road tanker	2	x
Circular	C-454SB	Static tank	0	x
Circular	C-518MH	Road tanker	0	x
Circular	C-518SBAR	Static tank	2	x
Circular	C-518 / C-518SB	Static tank	0	x
Circular	C-518A	Road tanker	2	x
Circular	C-620A / C620SB	Static tank	0	x
Circular	CG-404	Static tank with glass opening	0	
Circular	CG-454	Static tank with glass opening	0	
Circular	CG-518	Static tank with glass opening	0	
Circular	CG-LP-300	Static tank with glass opening	1	
Circular	CG-LP-404	Static tank with glass opening	1	
Circular	CG-LP-518	Static tank with glass opening	1	

¹ Calculated max. pressure (psi).

Circular cover Type LKDS



Introduction

The Alfa Laval Access Tank Cover - Circular Cover Type LKDS is a stainless steel manway cover that fits on openings on top of tanks or containers. It offers a quick, easy and convenient means of entry and egress to tank interiors. It provides a cover, situated above the liquid level, but no closable means of access to the interior of the vessel.

Application

The Access Tank Cover - Circular Cover Type LKDS is designed for use in hygienic applications across the dairy, food and

beverage industries. It is especially suitable for dairy balance tanks and Cleaning-in-Place (CIP) holding tanks.

Benefits

- High-quality tank cover
- Hygienic design

Standard design

The Alfa Laval Access Tank Cover - Circular Cover Type LKDS consists of a stainless steel lid and frame, and a splash guard to prevent liquid from spraying out during a cleaning process because the cover is not designed to fit watertight. Onsite assembly is required.

Acid pickled surface finishes ($< Ra\ 0.8\ \mu m$) meet hygienic process quality requirements. 3.1 Material Certification in accordance with EN 10204 is supplied.

Working principle

The LKDS cover is not designed to fit watertight to the tank and therefore it is supplied with a splash guard to prevent liquid spraying out during a cleaning process.

Certificates

3.1 certificate.

Technical data

Pressure

Working pressure: No pressure

Physical data

Materials

Lid and frame: 1.4301 (304) or 1.4404 (316L)

Surface finish

Surface finish	Acid Pickled
Product wetted surfaces:	Ra 32 μm (excluding welding zone)
Other frame and lid surfaces:	Ra 32 μm (excluding welding zone)
Other support and spindle surfaces:	Ra 120 μm (excluding welding zone)

Temperature

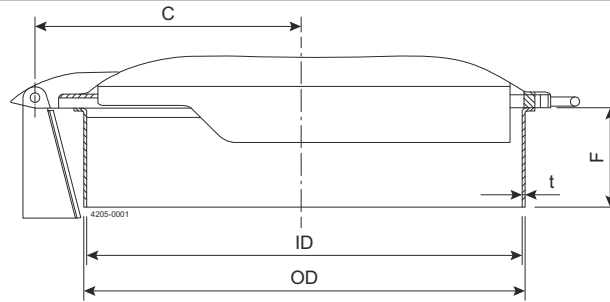
Min. temperature: - 4 °F
Max. temperature: + 194 °F

Weight: 11 / 13.2 lbs

Dimensions (inch)



Note! The LKDS covers are not assembled at delivery.



Size/OD	454	454
ID	17.64	17.64
F	0.94	3.94
t	0.12	0.12
C	10.71	10.71
Cover thickness	0.08	0.08

This document and its contents are subject to copyrights and other intellectual property rights owned by Alfa Laval AB (publ) or any of its affiliates (jointly "Alfa Laval"). No part of this document may be copied, re-produced or transmitted in any form or by any means, or for any purpose, without Alfa Laval's prior express written permission. Information and services provided in this document are made as a benefit and service to the user, and no representations or warranties are made about the accuracy or suitability of this information and these services for any purpose. All rights are reserved.

How to contact Alfa Laval

Up-to-date Alfa Laval contact details for all countries are always available on our website at www.alfalaval.com