



Alfa Laval T8

Gasketed plate heat exchanger for a wide range of applications

Introduction

Alfa Laval Industrial line is a wide product range that is used in virtually all types of industry.

Suitable for a wide range applications, this model is available with a large selection of plate and gasket types.

Applications

- Biotech and Pharmaceutical
- Chemicals
- Energy and Utilities
- Food and Beverages
- HVAC and Refrigeration
- Machinery and Manufacturing
- Marine and Transportation
- Mining, Minerals and Pigments
- Pulp and Paper
- Semiconductor and Electronics
- Steel

Benefits

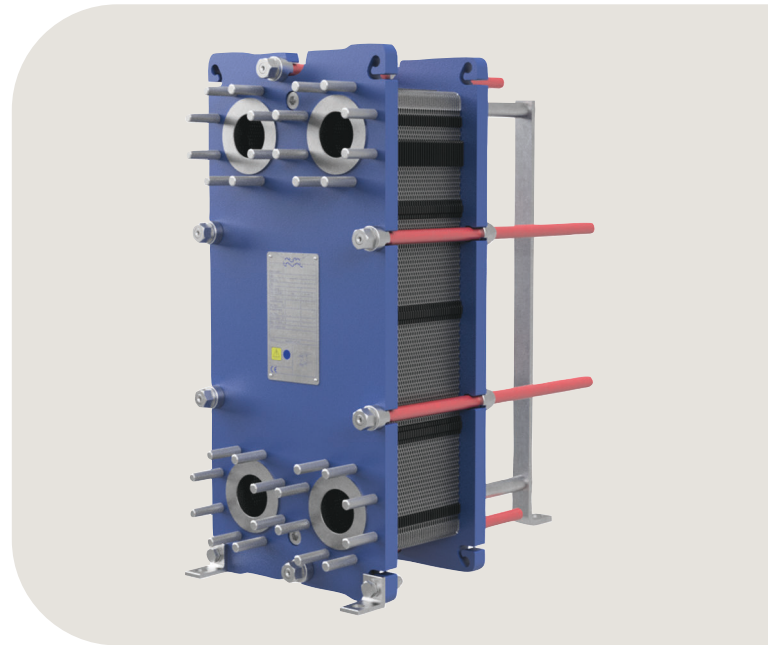
- High energy efficiency – low operating cost
- Flexible configuration – heat transfer area can be modified
- Easy to install – compact design
- High serviceability – easy to open for inspection and cleaning and easy to clean by CIP
- Access to Alfa Laval's global service network

Features

Every detail is carefully designed to ensure optimal performance, maximum uptime and easy maintenance. Selection of available features, depending on configuration some features may not be applicable:



- Corner guided alignment system
- CurveFlow™ distribution area
- ClipGrip™ gasket attachment
- Offset gasket groove
- OmegaPort™ noncircular port holes
- Leak chamber
- Fixed bolt head
- Key hole bolt opening
- Lifting lug
- Lining



- Lock washer
- Tightening bolt cover

Alfa Laval 360° Service Portfolio

Our extensive service offering ensure top performance from your Alfa Laval equipment throughout its life cycle. The Alfa Laval 360 Service Portfolio include installation services, cleaning and repair as well as spare parts, technical documentation and trouble shooting. We also offer replacement, retrofit, monitoring and much more.

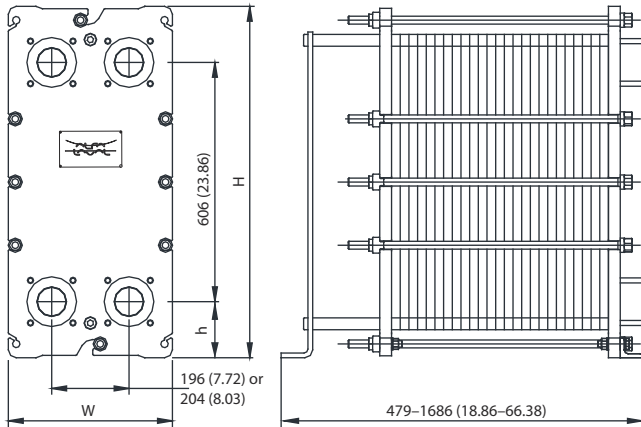
For information about our complete service offering and how to contact us - please visit www.alfalaval.com/service.

General remarks for technical information

- The global offering presented in this leaflet may not be available for all regions
- All combinations may not be configurable

Dimensional drawing

Measurements mm (inches)



| Type | H | W | h |
|-------------|--------------|--------------|-------------|
| T8-FM | 890 (35.04") | 400 (15.78") | 142 (5,59") |
| T8-FG | 890 (35.04") | 400 (15.78") | 142 (5,59") |
| T8-FG, ASME | 890 (35.04") | 416 (16.38") | 142 (5,59") |

The number of tightening bolts may vary depending on pressure rating.

Technical data

| Plates | Type | Free channel, mm (inches) |
|--------|--------------|---------------------------|
| T8-B | Single plate | 2.3 (0.091) |
| T8-M | Single plate | 3.9 (0.15) |

Materials

| | |
|--------------------------|---|
| Heat transfer plates | 304/304L, 316/316L Ti |
| Field gaskets | NBR, EPDM |
| Flange connections | Metal lined: stainless steel, titanium Rubber lined: NBR |
| Frame and pressure plate | Carbon steel, epoxy painted |

Other materials may be available on request

Operational data

| Frame, PV-code | Max. design pressure (barg/psig) | Max. design temperature (°C/°F) |
|----------------|----------------------------------|---------------------------------|
| FM, pvcALS | 13.5/196 | 180/356 |
| FM, PED | 13.0/188 | 180/356 |
| FG, pvcALS | 15.5/225 | 180/356 |
| FG, ASME | 10.3/150 | 250/482 |
| FG, PED | 17.5/253 | 180/356 |

Extended pressure and temperature rating may be available on request.

Flange connections

| Frame model | Connection standard |
|-------------|----------------------------|
| FM, pvcALS | EN 1092-1 DN80 PN10 |
| | ASME B16.5 Class 150 NPS 3 |
| | JIS B2220 10K 80A |
| FM, PED | EN 1092-1 DN80 PN10 |
| | ASME B16.5 Class 150 NPS 3 |
| FG, pvcALS | EN 1092-1 DN80 PN16 |
| | ASME B16.5 Class 150 NPS 3 |
| | JIS B2220 10K 80A |
| | JIS B2220 16K 80A |
| FG, ASME | ASME B16.5 Class150 NPS 3 |
| FG, PED | EN 1092-1 DN80 PN16 |
| | ASME B16.5 Class 150 NPS 3 |

Standard EN1092-1 corresponds to GOST 12815-80 and GB/T 9115.

This document and its contents are subject to copyrights and other intellectual property rights owned by Alfa Laval Corporate AB. No part of this document may be copied, re-produced or transmitted in any form or by any means, or for any purpose, without Alfa Laval Corporate AB's prior express written permission. Information and services provided in this document are made as a benefit and service to the user, and no representations or warranties are made about the accuracy or suitability of this information and these services for any purpose. All rights are reserved.

How to contact Alfa Laval

Up-to-date Alfa Laval contact details for all countries are always available on our website at www.alfalaval.com