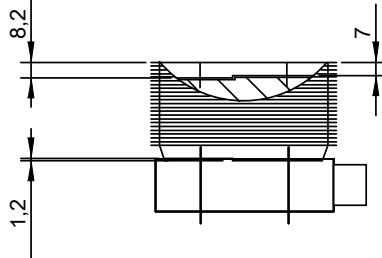
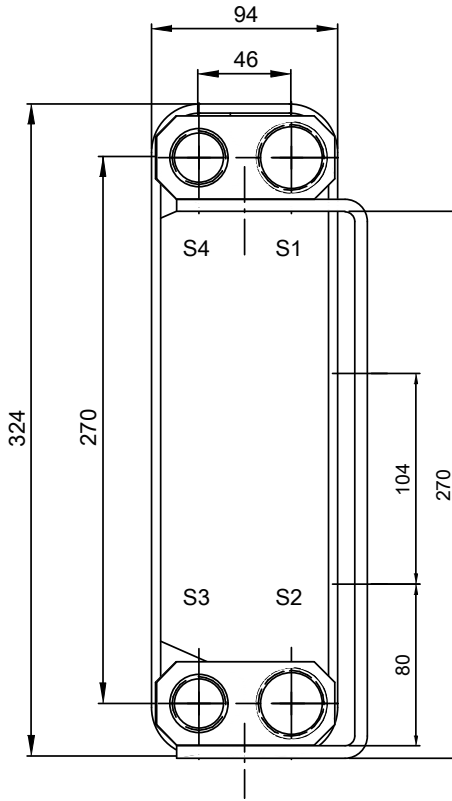
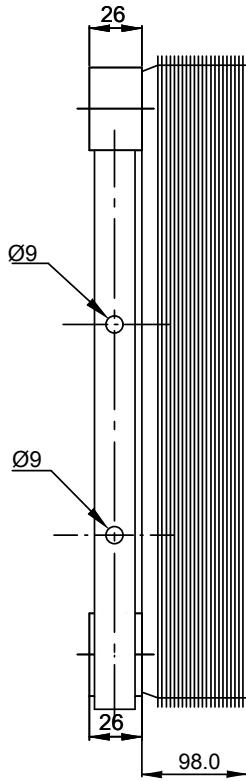
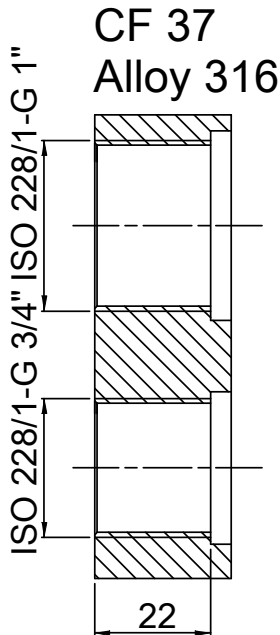


Note that all unique customer requirements (i.e tolerance) need to be verified thru Alfa Laval.



Frameplate is depressed 1.2 mm at connection S3/S4  
 Pressureplate is depressed 1.2 mm / even number of channel  
 plates at connections T3/T4 / uneven number of channel plates at  
 connections T1/T2.

HEATING SURFACE  
 NETWEIGHT 6.3 kg  
 OPERATING WEIGHT kg  
 PLATE MATERIAL ALLOY 316  
 PLATE GROUPING 1\*29H/1\*30H

T1 T2 T3 T4 locations on back side  
 correspond to S1 S2 S3 S4 on front side

ALL DIMENSIONS IN MILLIMETERS

SIDE	MEDIA	INLET	TEMP.	OUTLET	TEMP.	FLOW RATE	PRESSURE DROP	LIQUID VOL.
1		S1		S2				0.84 dm³
2		S3		S4				0.81 dm³

PRESSURE VESSEL APPROVAL

PED/UK

DOC20-60H (3287050748)

www.alfalaval.com

CUSTOMER NAME / REF. NO.

TOTAL LENGTH 124.0 mm  
 TOTAL WIDTH 94.0 mm  
 TOTAL HEIGHT 324.0 mm

COMPANY / REF.

4/16/2024  
 REV 0