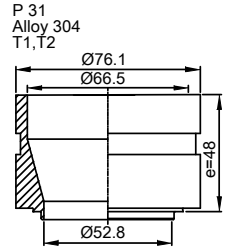
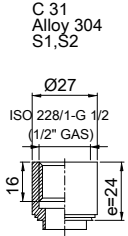
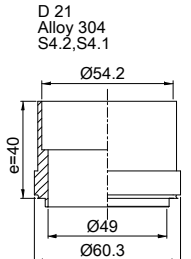
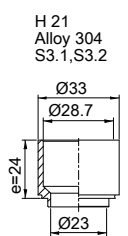
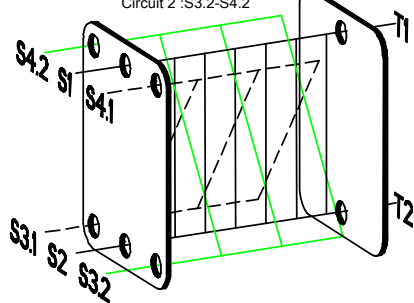


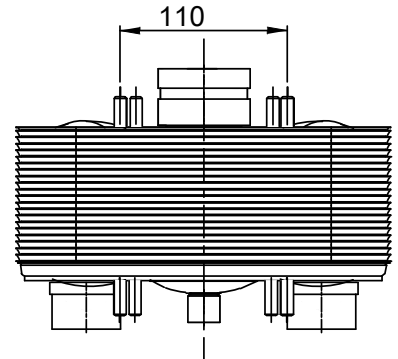
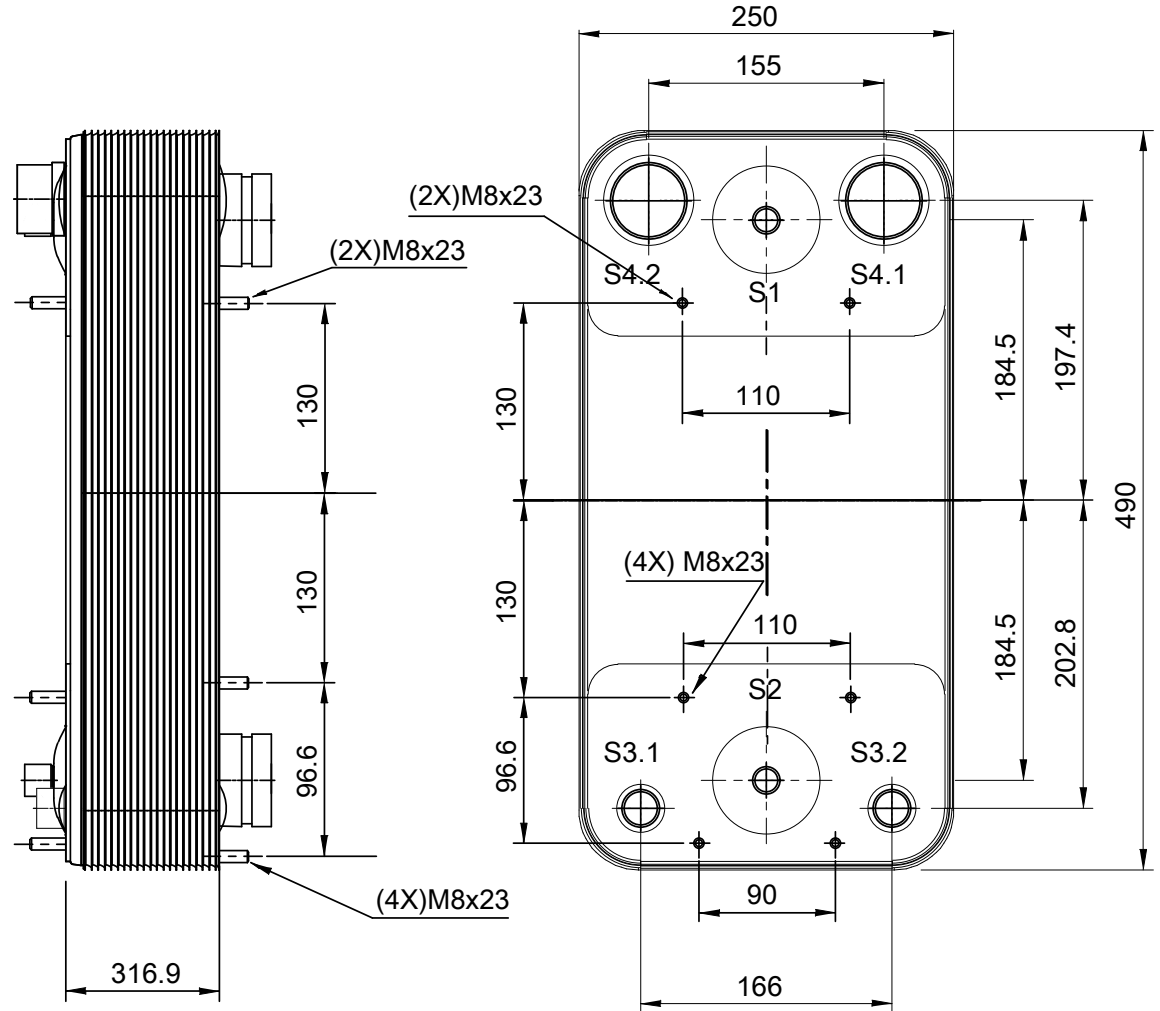
T1 T2 T3.1 T3.2 T4.1 T4.2 locations on back side correspond to S1 S2 S3.1 S3.2 S4.1 S4.2 on front side

Note that all unique customer requirements (i.e tolerance) need to be verified thru Alfa Laval.

Diagonal flow type 6-ports:
 Circuit 1 :S3.1-S4.1
 Circuit 2 :S3.2-S4.2



HEATING SURFACE
 NETWEIGHT 62.4 kg
 OPERATING WEIGHT kg
 PLATE MATERIAL ALLOY 316
 PLATE GROUPING 1*35HR|1*35HR/1*71HR



ALL DIMENSIONS IN MILLIMETERS

SIDE	MEDIA	INLET	TEMP.	OUTLET	TEMP.	FLOW RATE	PRESSURE DROP	LIQUID VOL.
1		S2, S4.2		S1, S3.2				11.1 dm ³
2		S4.1		S3.1				7.00/7.00 dm ³

PRESSURE VESSEL APPROVAL PED

AC-230DQ-142H-F (3287069860)

www.alfalaval.com

CUSTOMER NAME / REF. NO.

COMPANY / REF.

TOTAL LENGTH 400.9 mm
 TOTAL WIDTH 250.0 mm
 TOTAL HEIGHT 490.0 mm



1/15/2024
 REV 0