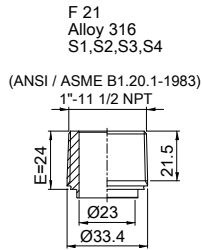
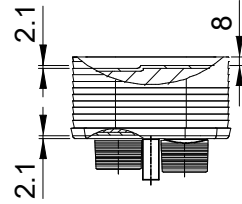
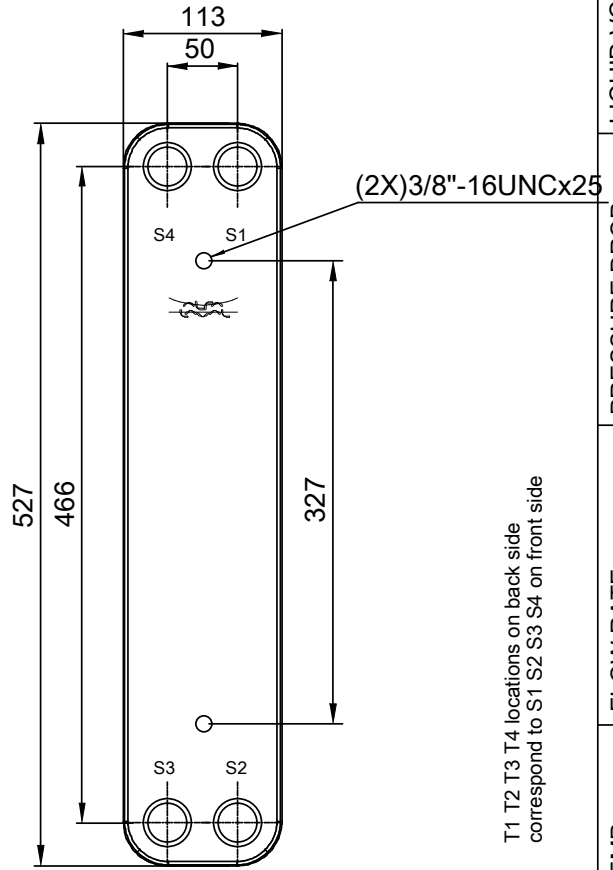
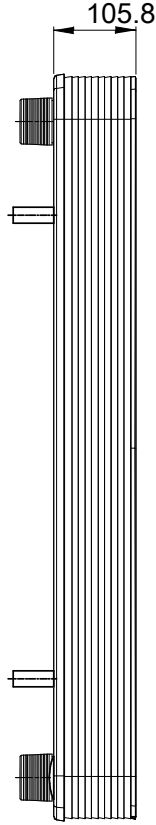


Note that all unique customer requirements (i.e tolerance) need to be verified thru Alfa Laval.



F 21
Alloy 316
S1,S2,S3,S4



Frameplate is depressed 2.1 mm at connections S3 and S4 if holed.
Pressureplate is depressed 2.1 mm at connections T3 and T4 if holed.

T1 T2 T3 T4 locations on back side correspond to S1 S2 S3 S4 on front side

HEATING SURFACE
NETWEIGHT 9.3 kg
OPERATING WEIGHT kg
PLATE MATERIAL ALLOY 316
PLATE GROUPING 1*19H/1*20H

ALL DIMENSIONS IN MILLIMETERS

SIDE	MEDIA	INLET	TEMP.	OUTLET	TEMP.	FLOW RATE	PRESSURE DROP	LIQUID VOL.
1		S1		S2				2.06 dm ³
2		S3		S4				1.96 dm ³

PRESSURE VESSEL APPROVAL

UL/CRN



CB60-40H (3287102157)

www.alfalaval.com

CUSTOMER NAME / REF. NO.

COMPANY / REF.

TOTAL LENGTH 131.8 mm
TOTAL WIDTH 113.0 mm
TOTAL HEIGHT 527.0 mm

4/16/2024
REV 0