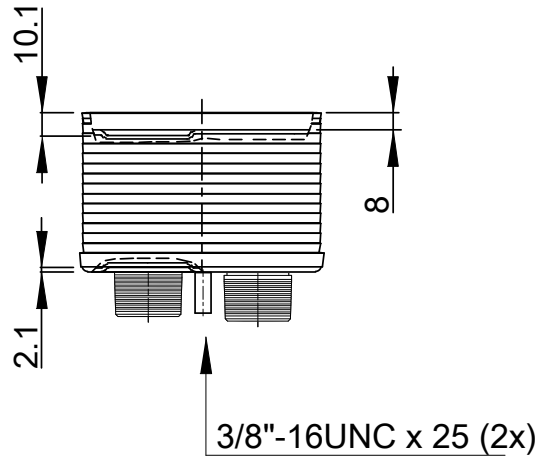
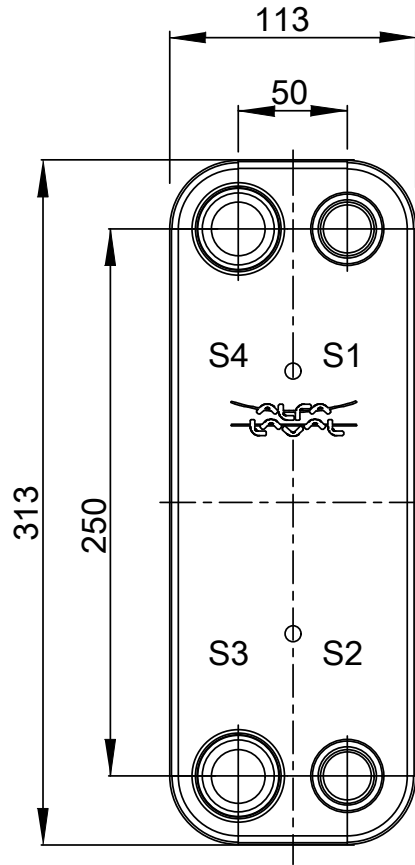
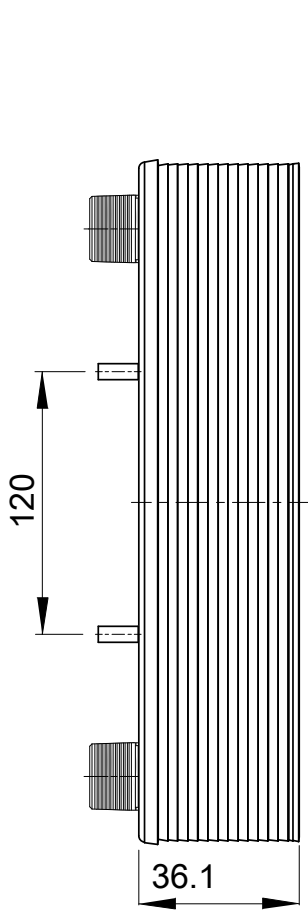
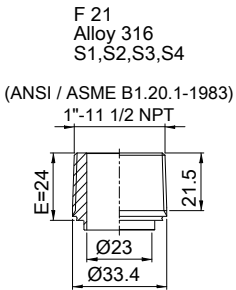


Note that all unique customer requirements (i.e tolerance) need to be verified thru Alfa Laval.



HEATING SURFACE  
 NETWEIGHT 2.6 kg  
 OPERATING WEIGHT kg  
 PLATE MATERIAL ALLOY 316  
 PLATE GROUPING 1\*4L/1\*5L

T1 T2 T3 T4 locations on back side correspond to S1 S2 S3 S4 on front side

ALL DIMENSIONS IN MILLIMETERS

| SIDE | MEDIA | INLET | TEMP. | OUTLET | TEMP. | FLOW RATE | PRESSURE DROP | LIQUID VOL. |
|------|-------|-------|-------|--------|-------|-----------|---------------|-------------|
| 1    |       | S1    |       | S2     |       |           |               | 0.27 dm³    |
| 2    |       | S3    |       | S4     |       |           |               | 0.22 dm³    |

PRESSURE VESSEL APPROVAL

UL/CRN

CB30-10L (3287099365)

www.alfalaval.com

CUSTOMER NAME / REF. NO.

TOTAL LENGTH 62.1 mm  
 TOTAL WIDTH 113.0 mm  
 TOTAL HEIGHT 313.0 mm

COMPANY / REF.

4/16/2024  
 REV 0