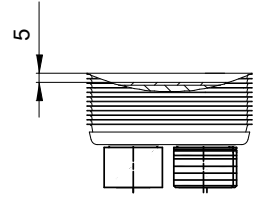
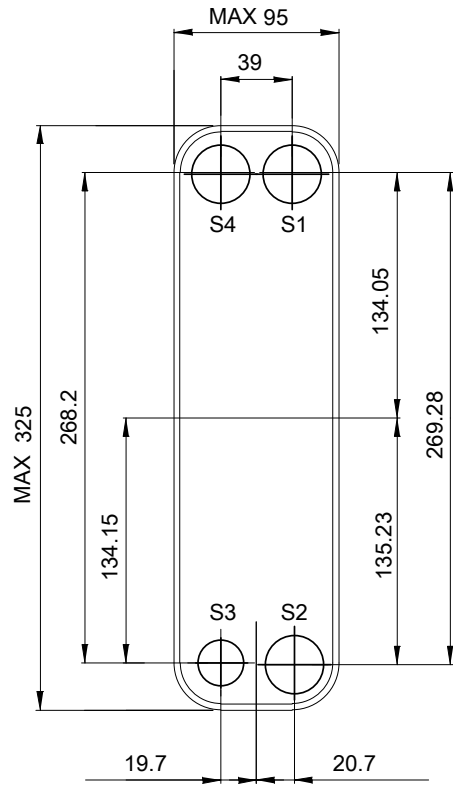
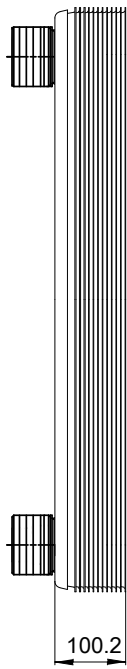
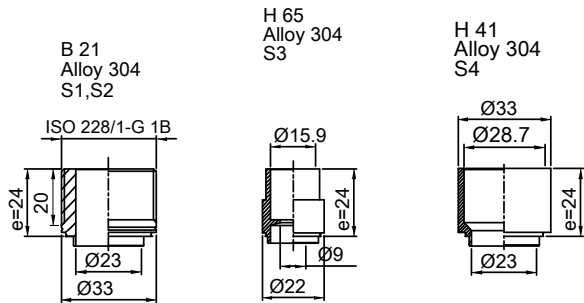


Note that all unique customer requirements (i.e tolerance) need to be verified thru Alfa Laval.



Frameplate is depressed 1.2 mm at connection S4  
 Pressureplate is depressed 1.2 mm / even number of channel  
 plates at connections T4 / uneven number of channel plates at  
 connections T1.  
 T1 T2 T3 T4 locations on back side  
 correspond to S1 S2 S3 S4 on front side

HEATING SURFACE  
 NETWEIGHT 6.3 kg  
 OPERATING WEIGHT kg  
 PLATE MATERIAL ALLOY 316  
 PLATE GROUPING 1\*29H/1\*30H

ALL DIMENSIONS IN MILLIMETERS

SIDE	MEDIA	INLET	TEMP.	OUTLET	TEMP.	FLOW RATE	PRESSURE DROP	LIQUID VOL.
1		S1		S2				0.84 dm <sup>3</sup>
2		S3		S4				0.81 dm <sup>3</sup>



PRESSURE VESSEL APPROVAL PED/UK  
 AC-30EQ-60H-F (3288101404)

www.alfalaval.com

CUSTOMER NAME / REF. NO.	TOTAL LENGTH	124.2 mm
COMPANY / REF.	TOTAL WIDTH	94.0 mm
	TOTAL HEIGHT	323.0 mm

1/15/2024  
 REV 0