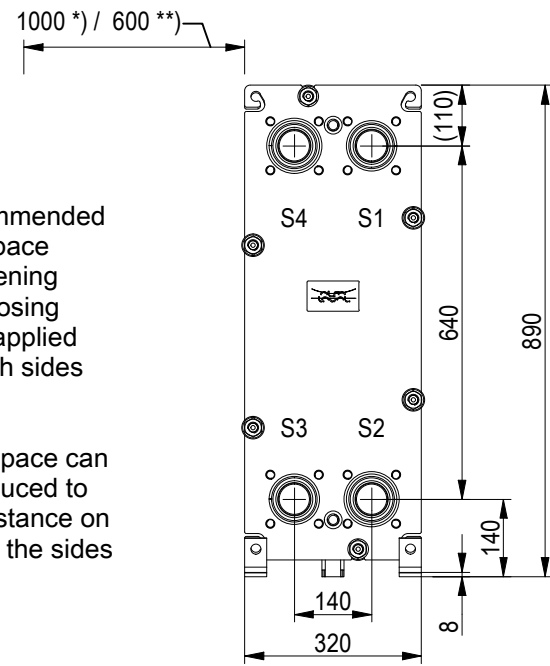


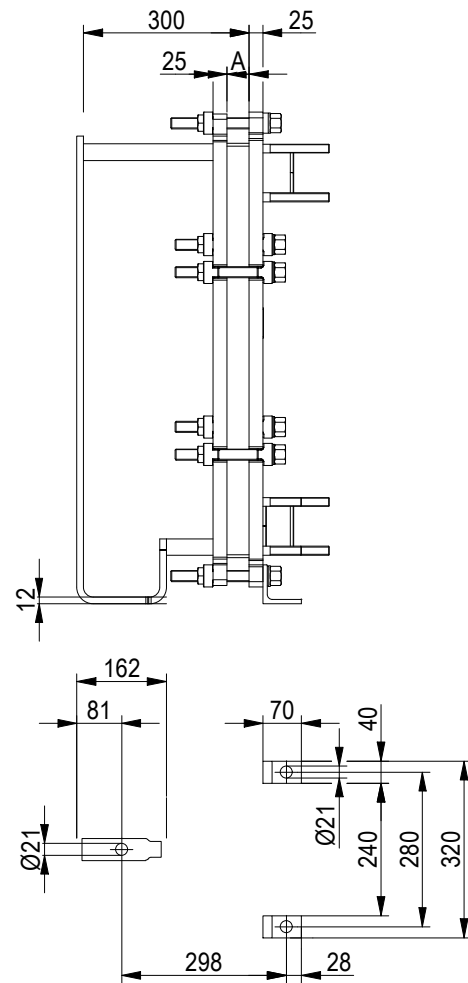
FRAME PLATE



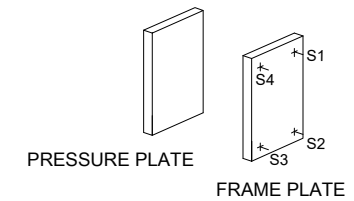
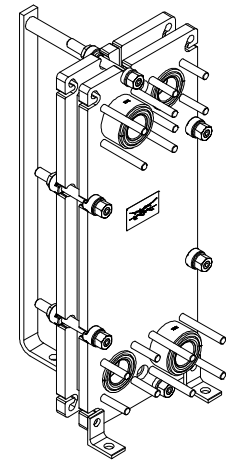
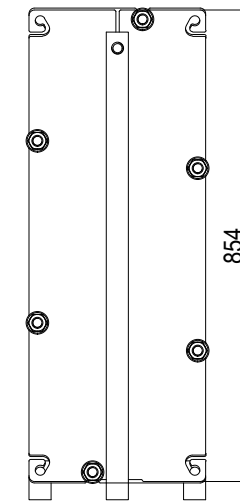
*) Recommended free space for opening and closing to be applied on both sides

**) Free space can be reduced to this distance on one of the sides

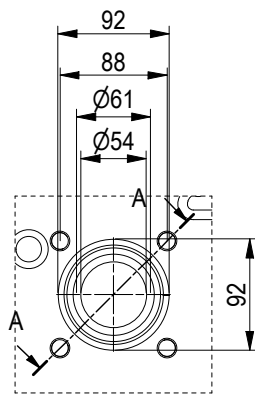
Space between pressure plate and supporting column should be kept free from fixed installations!



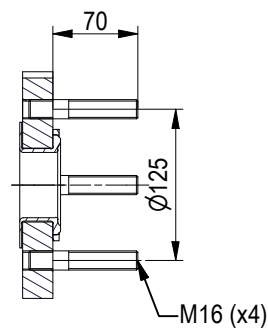
PRESSURE PLATE (MOVABLE)



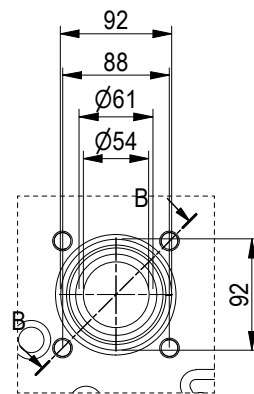
EN 1092-1 DN50 PN10
S1, S3



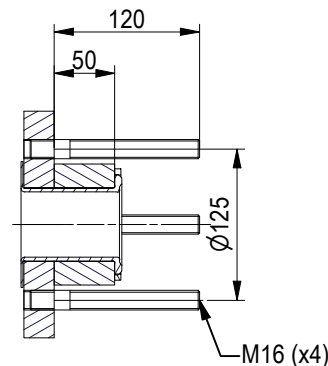
A-A:
NBRP / ALLOY 316



EN 1092-1 DN50 PN10
S2, S4



B-B:
NBRP / ALLOY 316



All dimensions in millimeters (mm)

NO. OF UNITS

1

| | |
|--------------------------|----------------|
| APPROX. OUTER DIMENSIONS | |
| LENGTH | 490 mm |
| WIDTH | 330 mm |
| HEIGHT | 880 mm |
| APPROX. WEIGHTS | |
| NET WEIGHT, EMPTY | 134 kg |
| WEIGHT FULL OF WATER | 144 kg |
| PLATE MATERIAL | ALLOY 316 |
| PLATE THICKNESS | 0.5 mm |
| GASKET | NBRP ClipGrip™ |

CHANNEL ARRANGEMENT 1*12 L / 1*12 L

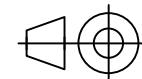


www.alfalaval.com

DRAWING
GASKETED PLATE HEAT EXCHANGER

T6-PFM

PED Article 4.3



8240121000

Do not use this drawing for foundation bolting or piping layout

| | |
|----------|---------|
| DATE | 2/21/22 |
| REVISION | 0 |