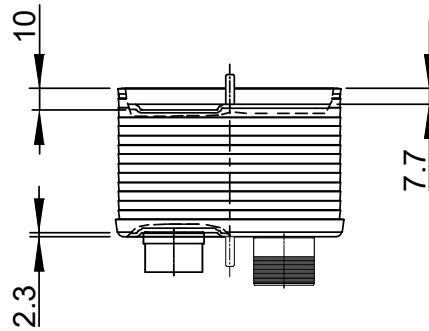
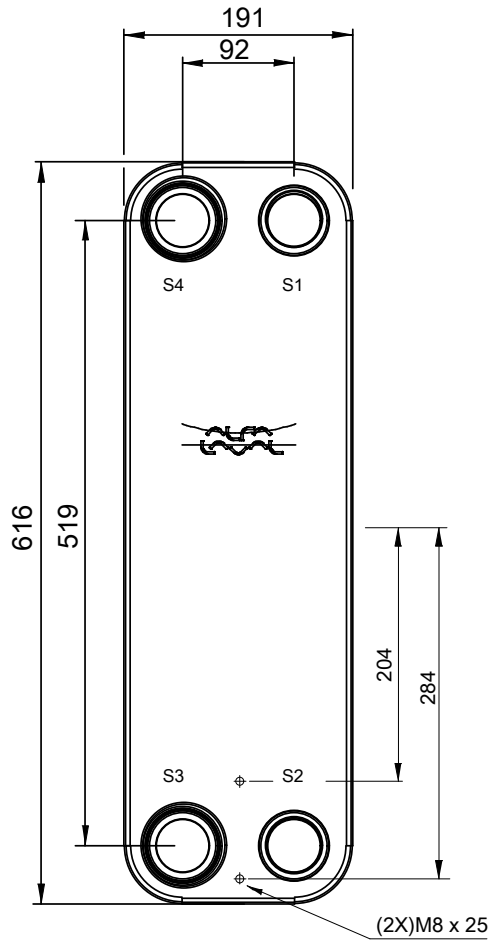
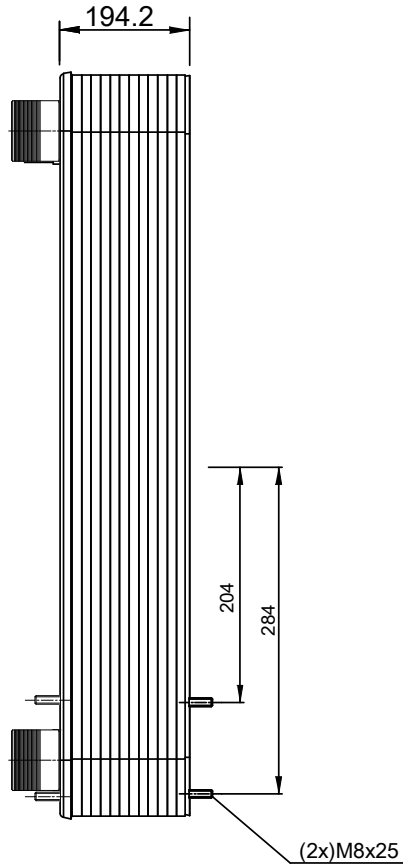
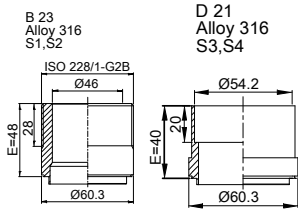


Note that all unique customer requirements (i.e tolerance) need to be verified thru Alfa Laval.



HEATING SURFACE  
NETWEIGHT 33.0 kg  
OPERATING WEIGHT kg  
PLATE MATERIAL ALLOY 316  
PLATE GROUPING 1\*34ML/1\*35MH

ALL DIMENSIONS IN MILLIMETERS

SIDE	MEDIA	INLET	TEMP.	OUTLET	TEMP.	FLOW RATE	PRESSURE DROP	LIQUID VOL.
1		S1		S2				7.35 dm <sup>3</sup>
2		S3		S4				7.14 dm <sup>3</sup>

PRESSURE VESSEL APPROVAL

PED

CB110-70M (3287118760)

www.alfalaval.com

CUSTOMER NAME / REF. NO.

TOTAL LENGTH 257.2 mm  
TOTAL WIDTH 191.0 mm  
TOTAL HEIGHT 616.0 mm

COMPANY / REF.



4/16/2024  
REV 0