

# Alfa Laval AQ20

## Gasketed plate heat exchanger for HVAC applications

### Introduction

Alfa Laval AlfaQ™ is AHRI Certified® through the Liquid to Liquid Heat Exchangers (LLHE) Certification Program which ensures thermal performance in accordance with the product specifications.

Designed for high throughput, this model delivers excellent thermal performance. A large selection of plate and gasket types is available.

### Applications

- HVAC

### Benefits

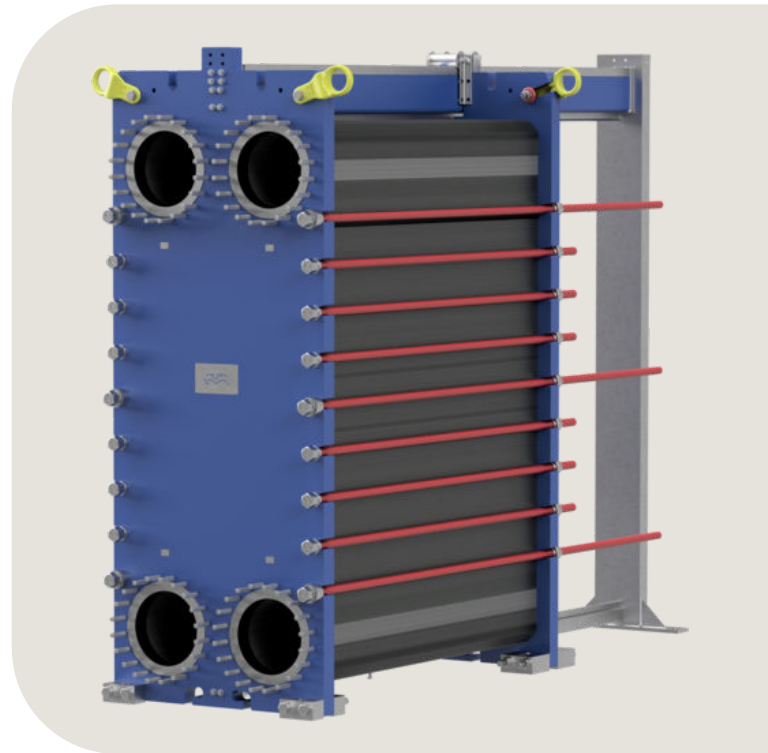
- High energy efficiency – low operating cost
- Flexible configuration – heat transfer area can be modified
- Easy to install – compact design
- High serviceability – easy to open for inspection and cleaning and easy to clean by CIP
- Access to Alfa Laval's global service network

### Features

Every detail is carefully designed to ensure optimal performance, maximum uptime and easy maintenance. Selection of available features, depending on configuration some features may not be applicable:



- Five-point alignment
- Reinforced hanger
- Chocolate pattern distribution area
- Glued gasket
- Base-ad gasket
- Leak chamber
- Bearing boxes
- Fixed bolt head
- Key hole bolt opening
- Lifting lug
- Lining
- Lock washer
- Pressure plate roller
- Tightening bolt cover



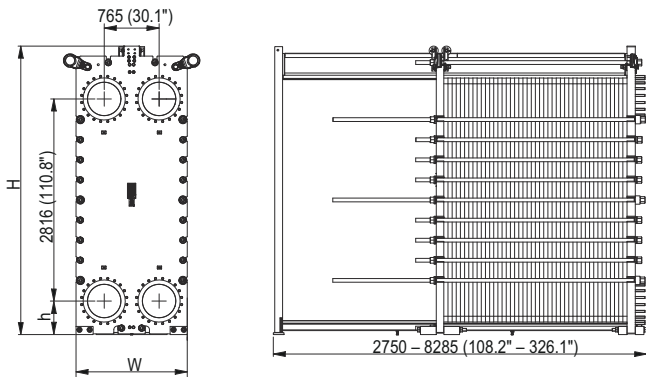
### Alfa Laval 360° Service Portfolio

Our extensive service offering ensure top performance from your Alfa Laval equipment throughout its life cycle. The Alfa Laval 360 Service Portfolio include installation services, cleaning and repair as well as spare parts, technical documentation and trouble shooting. We also offer replacement, retrofit, integrity testing, monitoring and much more.

For information about our complete service offering and how to contact us - please visit [www.alfalaval.com/service](http://www.alfalaval.com/service).

## Dimensional drawing

Measurements mm (inches)



Frame type	H	W	h
FM	4010 (157.8")	1550 (61.0")	467 (18.4")
FG	4010 (157.8")	1550 (61.0")	467 (18.4")
FD	4010 (157.8")	1550 (61.0")	467 (18.4")

The number of tightening bolts may vary depending on pressure rating.

## Technical data

Plates	Type	Free channel, mm (inches)
M	Single plate	3.9 (0.15)

## Materials

Heat transfer plates	316/316L Ti
Field gaskets	NBR, EPDM, HNBR
Flange connections	Carbon steel Metal lined: stainless steel, titanium
Frame and pressure plate	Carbon steel, epoxy painted

Other materials may be available on request.

## Operational data

Frame type	Max. design pressure barg (psig)	Max. design temperature °C (°F)
FM, pvcALS	11.0 (159)	200 (392)
FG, ASME	10.3 (150)	250 (482)
FG, PED	20.0 (290)	200 (392)
FD, ASME	20.7 (300)	250 (482)
FD, PED	31.3 (453.9)	200 (392)

Extended pressure and temperature rating may be available on request.

## General remarks for technical information

- The global offering presented in this leaflet may not be available for all regions
- All combinations may not be configurable

## Flange connections

Frame type	Connection standard
FM, pvcALS	EN 1092-1 DN500 PN10
	ASME B16.5 Class 150 NPS 20
	HG/T 20615 Class 150
FG, ASME	ASME B16.5 Class 150 NPS 20
	ASME B16.5 Class 300 NPS 20
FG, PED	EN 1092-1 DN500 PN10
	EN 1092-1 DN500 PN16
	ASME B16.5 Class 300 NPS 20
FD, ASME	ASME B16.5 Class 150 NPS 20
	ASME B16.5 Class 300 NPS 20
FD, PED	EN 1092-1 DN500 PN25
	ASME B16.5 Class 300 NPS 20

Standard EN1092-1 corresponds to GOST 12815-80 and GB/T9124.1.

## Certificates



This document and its contents are subject to copyrights and other intellectual property rights owned by Alfa Laval AB (publ) or any of its affiliates (jointly "Alfa Laval"). No part of this document may be copied, re-produced or transmitted in any form or by any means, or for any purpose, without Alfa Laval's prior express written permission. Information and services provided in this document are made as a benefit and service to the user, and no representations or warranties are made about the accuracy or suitability of this information and these services for any purpose. All rights are reserved.

## How to contact Alfa Laval

Up-to-date Alfa Laval contact details for all countries are always available on our website at [www.alfalaval.com](http://www.alfalaval.com)