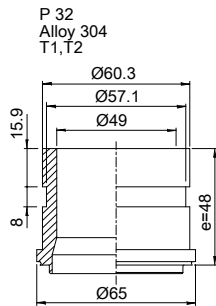
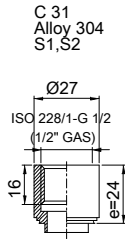
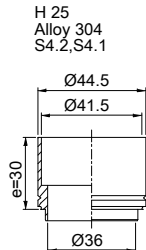
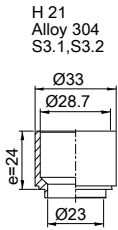
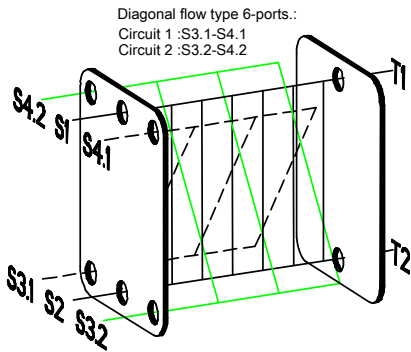
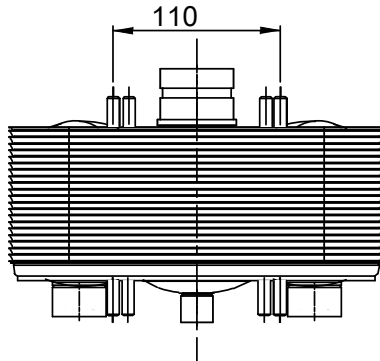
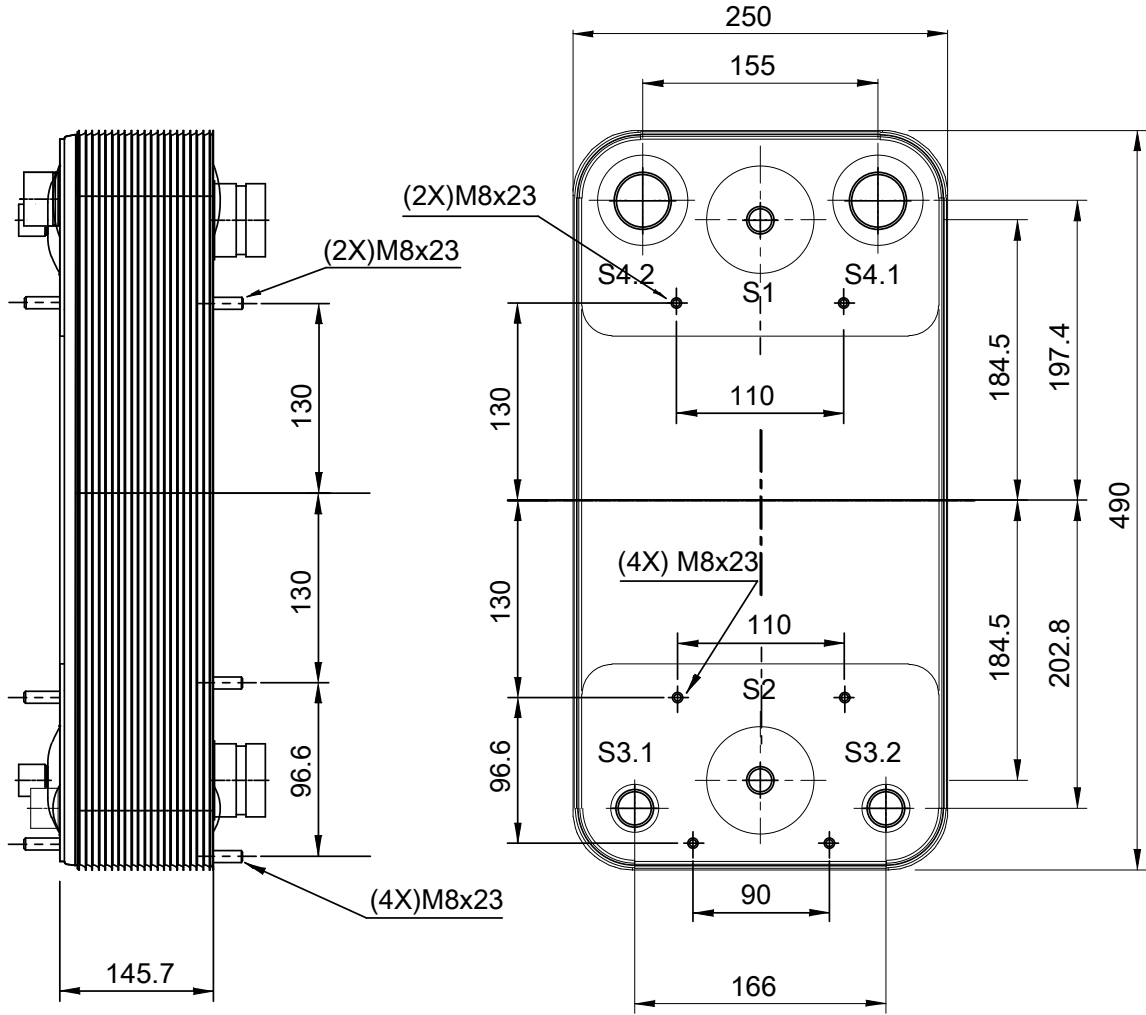


T1 T2 T3.1 T3.2 T4.1 T4.2 locations on back side correspond to S1 S2 S3.1 S3.2 S4.1 S4.2 on front side

Note that all unique customer requirements (i.e tolerance) need to be verified thru Alfa Laval.



HEATING SURFACE  
 NETWEIGHT 30.0 kg  
 OPERATING WEIGHT kg  
 PLATE MATERIAL ALLOY 316  
 PLATE GROUPING 1\*15HR|1\*15HR/1\*31HR



ALL DIMENSIONS IN MILLIMETERS

SIDE	MEDIA	INLET	TEMP.	OUTLET	TEMP.	FLOW RATE	PRESSURE DROP	LIQUID VOL.
1		S2,S4.2		S1,S3.2				4.84 dm <sup>3</sup>
2		S4.1		S3.1				3.00/3.00 dm <sup>3</sup>

PRESSURE VESSEL APPROVAL

PED

AC-230DQ-62H-F (3287071617)

www.alfalaval.com

CUSTOMER NAME / REF. NO.

COMPANY / REF.

TOTAL LENGTH  
 TOTAL WIDTH  
 TOTAL HEIGHT

221.7 mm  
 250.0 mm  
 490.0 mm



1/15/2024  
 REV 0