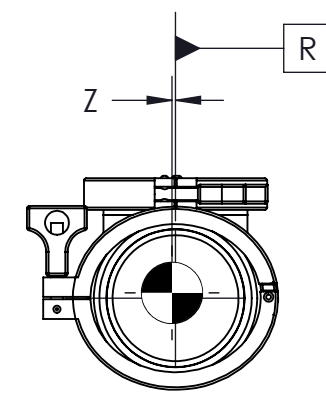
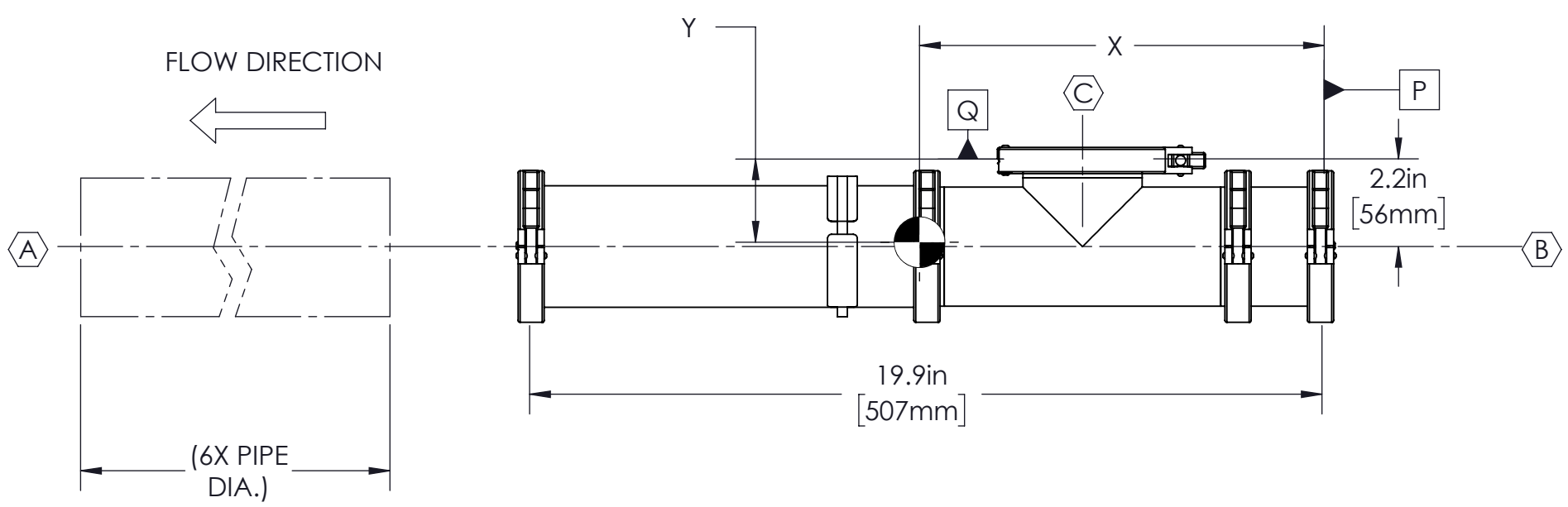
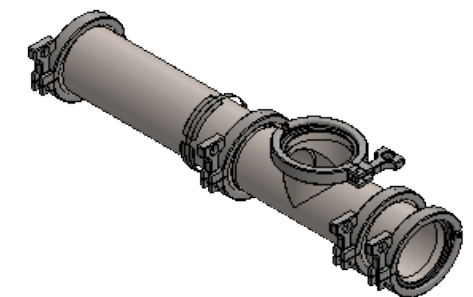


REVISION NOTES			
ECR NUMBER	RELEASE NOTES	DATE	APPROVAL
1146	FLOW DETAIL UPDATE	09/16/2019	KA



- NOTES:**
- MINIMUM STRAIGHT PIPE LENGTH WITHOUT OBSTRUCTION ON DISCHARGE SIDE TO BE 6X PIPE DIAMETER
 - READ PRODUCT MANUALS BEFORE INSTALLATION AND OPERATION
 - PRODUCT DETAILS
 - SINGLE ADDITIVE SUCTION PORT
 - 1" [25.4mm] LOBESTAR MIXING NOZZLE® ORIFICE
 - 125-150 GPM MOTIVE FLOW RATE 90-150 FT DIFFERENTIAL HEAD (40-65 PSI DIFFERENTIAL PRESSURE WITH WATER)
 - SANITARY TRI-CLAMP INLET AND DISCHARGE CONNECTIONS
 - STAINLESS STEEL SHEAR-MIXER BODY
 - STAINLESS STEEL INSERTS
 - BUNA GASKETS
 - OPERATING TEMPERATURE: -20°F TO +180°F (-29°C TO +82°C)
 - ESTIMATED WEIGHT (DRY): 23.6 lbs [52 kg]

CUSTOMER FIELD CONNECTIONS					
MK. NO.	QUAN	SIZE	RATING	TYPE	SERVICE
A	1	3"	150#	SANITARY	BLENDED DISCHARGE
B	1	3"	150#	SANITARY	FEED INLET
C	1	3"	150#	SANITARY	SUCTION

C.G LOCATION FROM DATUM P,Q,R			
CONDITION	X	Y	Z
DRY	10.10" (256 mm)	2.08" (53 mm)	0.08" (2 mm)
OPERATING	10.19" (259 mm)	2.10" (53 mm)	0.07" (2 mm)

<p>Company Confidential</p> <p>Alfa Laval Inc. 10470 Deer Trail Drive Houston, TX 77038 USA www.alfalaval.com (713) 869-2593</p> <p>This drawing and any information or descriptive material set out on it are the confidential and copyright property of Alfa Laval Inc. © and MUST NOT BE DISCLOSED, COPIED, LOANED in whole or part or used for any purpose without the written permission of Alfa Laval, Inc.</p>	Tolerances: Unless Otherwise Stated: Linear Tol.: .X - = +/- .250 (6.35 mm) .XX - = +/- .188 (4.77 mm) .XXX - = +/- .125 (3.18 mm) Angular Tol.: +/- 1° All Dimensions: in		Workflow: Design Released to Production			
	Finish: N/A		Drawing Scale: 1:8		Description: SHEAR-MIXER,SM3001_SGA	
	Approx Weight: 23.57 Lbs.		Drawing Produced In Accordance With: ASME Y14.5M-2009		Old Reference Number: 9984000951	
	Projection Method: THIRD ANGLE		Sheet Size: B		Part Number: 9984000951	
		Material: 316 SS		Revision: B		