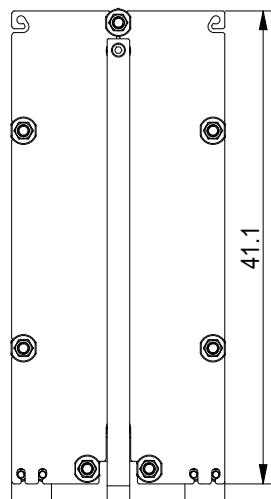
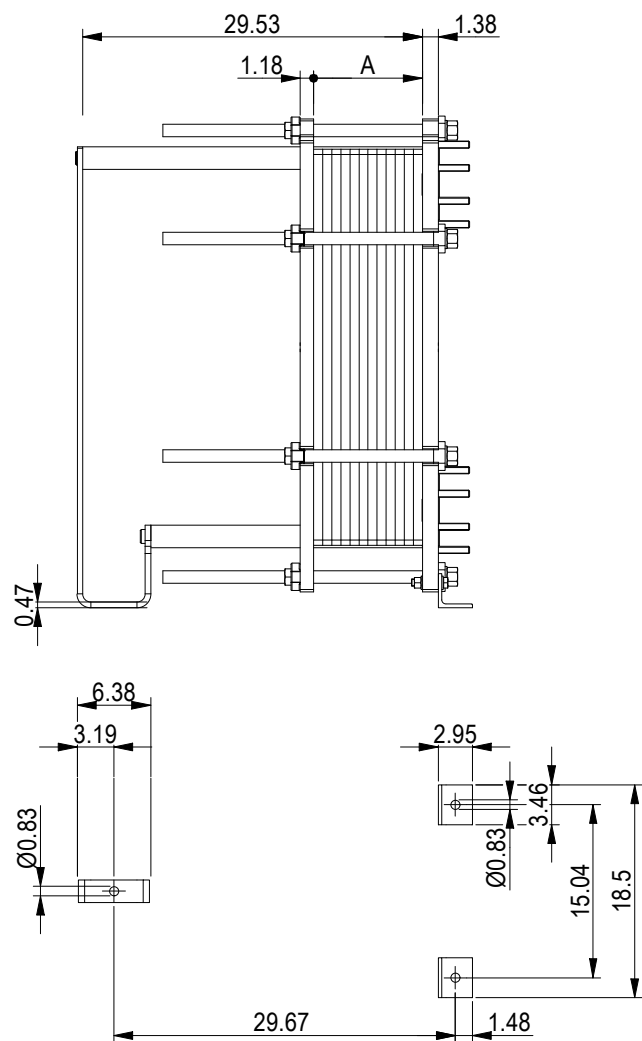


This document and its contents are subject to copyrights and other intellectual property rights owned by Alfa Laval (pub) or any of its affiliates (Alfa Laval). No part of this document may be copied, reproduced or transmitted in any form or by any means, or for any purpose, without Alfa Laval's prior express written permission. Information and services provided in this document are made as a benefit and service to the user, and no representations or warranties are made about the accuracy or suitability of this information and these services for any purpose. All rights are reserved.

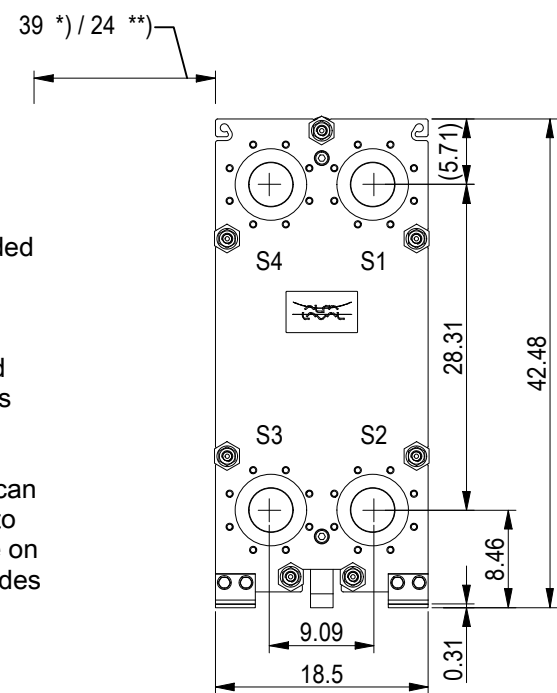
PRESSURE PLATE
(MOVABLE)



Space between pressure plate and supporting column should be kept free from fixed installations!



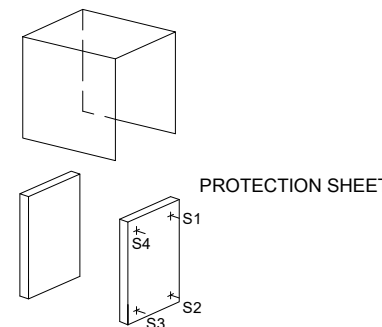
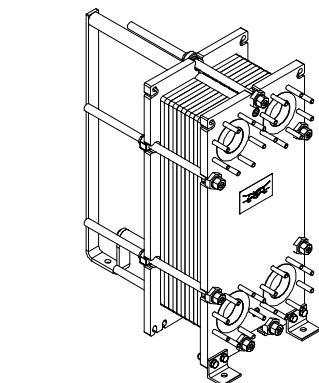
FRAME PLATE



*) Recommended free space for opening and closing to be applied on both sides

**) Free space can be reduced to this distance on one of the sides

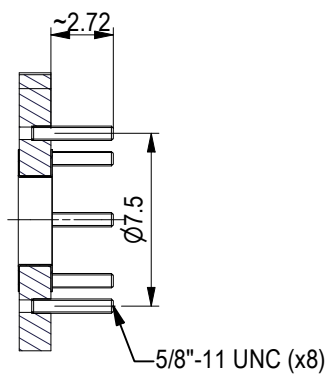
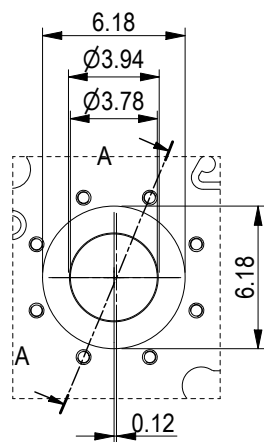
All dimensions in inches



PRESSURE PLATE
FRAME PLATE

ASME B16.5 Class 150 NPS 4
S1, S2, S3, S4

A-A:
ALLOY 316



TIGHTENING BOLTS 4 x M24, L = 30.6 in
3 x M24, L = 24.7 in

APPROX. OUTER DIMENSIONS
 LENGTH 37.0 in
 WIDTH 18.9 in
 HEIGHT 41.3 in
 APPROX. WEIGHTS
 NET WEIGHT, EMPTY 981 lb
 WEIGHT FULL OF WATER 1125 lb
 PLATE MATERIAL ALLOY 316
 PLATE THICKNESS 0.5 mm
 GASKET NBRP ClipGrip™
 AREA OF HEAT SURFACE 274.3 ft²

NO. OF UNITS	1
CHANNEL	
MH	10.0 GPM
ML	9.9 GPM

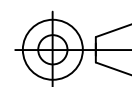


www.alfalaval.com

DRAWING
GASKETED PLATE HEAT EXCHANGER
T10-BFG

ASME
Code Section VIII Div.1

MAWP 150 psi at 266.0 °F
 MDMT -18.0 °F at 150 psi
 Designed, constructed and stamped in accordance with 2021 ASME.



8240153019
T10-BFG, 100 plates

Do not use this drawing for foundation bolting or piping layout
or planning of lifting and handling of the equipment.

DATE 6/13/23
REVISION 0