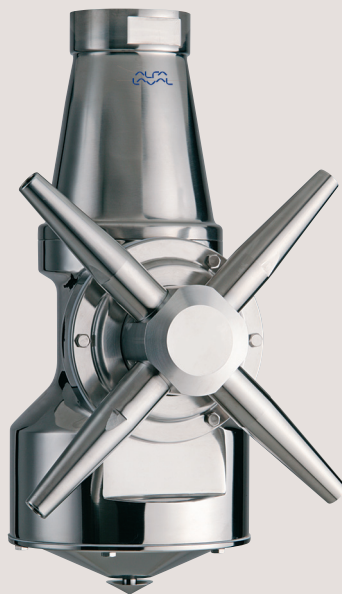




Spare Parts

Alfa Laval IM 20 Rotary Jet Mixer



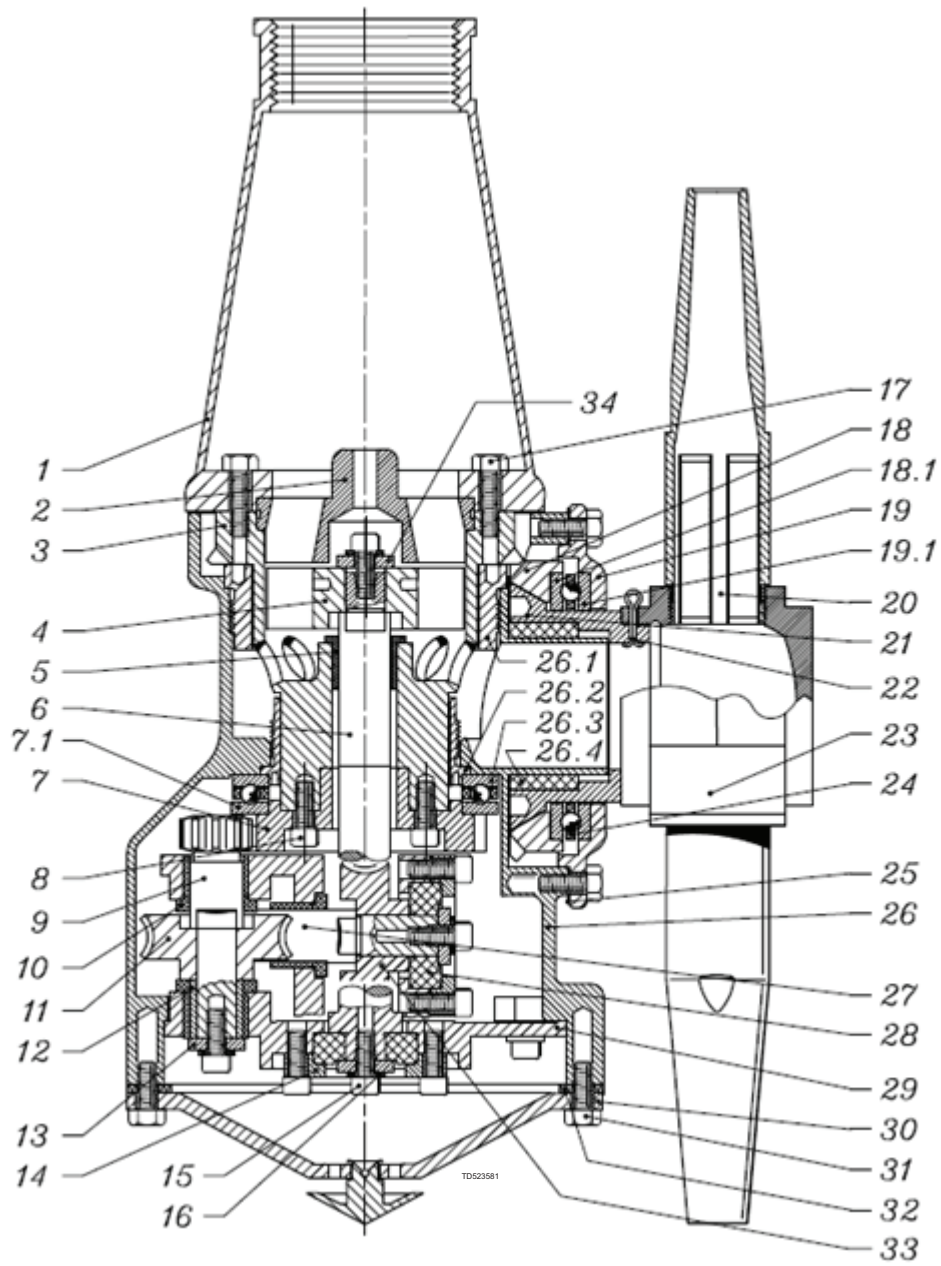
EPS00178-EN8 2018-05

Original manual

Table of contents

The information herein is correct at the time of issue but may be subject to change without prior notice

| | |
|--|----|
| 1. Alfa Laval IM 20 | 4 |
| 2. Alfa Laval IM 20 previous version Machine design obsolete December 29, 2010. Below serial # 1012-002 | 8 |
| 3. Service intervals and tools | 10 |



| Pos | Qty | Denomination | Item no. | Material | Remark |
|---|--------------------------|--------------------------------------|----------|-----------------|------------|
| Part List - Alfa Laval Rotary Jet Mixer IM 20 with 2 nozzles | | | | | |
| 1 | <input type="checkbox"/> | 1 Top cone, 2" BSP | TE22D500 | Stainless steel | Spare part |
| | <input type="checkbox"/> | 1 Top cone, 2" NPT | TE22D501 | Stainless steel | Spare part |
| 2 | | 1 Guide ring, 0% | TE1030 | Stainless steel | Spare part |
| 3 | | 1 Stem | TE32B526 | Stainless steel | Spare part |
| 4 | | 1 Impeller, 100% | TE32B508 | Stainless steel | Spare part |
| 5 | ◆ | 1 Main bush | TE32B576 | Polymer | Wear part |
| 6 | ◆ | 1 Turbine shaft | TE32B511 | Stainless steel | Wear part |
| 7 | | 1 Gear wheel w. ball race | TE32B303 | Stainless steel | Spare part |
| 7.1 | ◆ | 1 Ball race | TE32B510 | Stainless steel | Wear part |
| 8 | | 6 Screw | TE120 | Stainless steel | Spare part |
| 9 | | 1 Pinion | TE114 | Stainless steel | Spare part |
| 10 | ◆ | 3 Collar bush | TE22A586 | Polymer | Wear part |
| 11 | <input type="checkbox"/> | 1 Worm wheel | TE22A365 | Polymer | Wear part |
| | <input type="checkbox"/> | 1 Worm wheel, E-gear | TE22A364 | Polymer | Wear part |
| 12 | | 1 Journal | TE117 | Stainless steel | Spare part |
| 13 | | 9 Spring washer | TE156 | Stainless steel | Spare part |
| 14 | | 2 Bearing cover | TE531 | Stainless steel | Spare part |
| 15 | | 17 Screw | TE118 | Stainless steel | Spare part |
| 16 | | 3 Washer | TE619A | Stainless steel | Spare part |
| 17 | | 8 Screw | TE902H | Stainless steel | Spare part |
| 18 | | 1 Bevel gear with ball race | TE32B307 | Stainless steel | Spare part |
| 18.1 | ◆ | 1 Ball race | TE32B510 | Stainless steel | Wear part |
| 19 | | 1 Hub cover with ball race | TE32B306 | Stainless steel | Spare part |
| 19.1 | ◆ | 1 Ball race | TE32B510 | Stainless steel | Wear part |
| 20 | <input type="checkbox"/> | 2 Nozzle, ø12 | TE50C012 | Stainless steel | Spare part |
| | <input type="checkbox"/> | 2 Nozzle, ø13 | TE50C013 | Stainless steel | Spare part |
| | <input type="checkbox"/> | 2 Nozzle, ø14 | TE50C014 | Stainless steel | Spare part |
| | <input type="checkbox"/> | 2 Nozzle, ø15 | TE50C015 | Stainless steel | Spare part |
| 21 | | 1 Hub conical part | TE32B534 | Stainless steel | Spare part |
| 22 | | 1 Cotter pin | TE448 | Stainless steel | Wear part |
| 23 | | 1 Hub nozzle part for 2 nozzle | TE624215 | Stainless steel | Wear part |
| 24 | ◆ | 2 Ball retainer with balls | TE32B302 | Polymer/ceram- | Wear part |
| | | | | ics | |
| 25 | | 1 Hub gasket | TE22D553 | Polymer/Elas- | Spare part |
| | | | | tomor | |
| 26 | | 1 Body ¹⁾ | | Stainless steel | N/A |
| 26.1 | | 1 Main collar upper | TE32B577 | Polymer | Wear part |
| 26.2 | | 1 Main collar lower | TE32B578 | Polymer | Wear part |
| 26.3 | ◆ | 1 Ball race | TE32B510 | Stainless steel | Wear part |
| 26.4 | | 1 Hub collar | TE32B575 | Polymer | Wear part |
| 27 | <input type="checkbox"/> | 1 Horizontal shaft | TE128Z | Stainless steel | Wear part |
| | <input type="checkbox"/> | 1 Horizontal shaft, E-gear | TE128E | Stainless steel | Wear part |
| 28 | ◆ | 2 Slide bearing | TE22A571 | Polymer | Wear part |
| 29 | | 1 Gear frame | TE630 | Stainless steel | Spare part |
| 30 | | 1 Bottom cover, compl. | TE32B350 | Stainless steel | Spare part |
| 31 | | 12 Screw | TE421H | Stainless steel | Spare part |
| 32 | | 1 Bottom gasket | TE22D554 | Polymer/Elas- | Spare part |
| | | | | tomor | |
| 33 | ◆ | 1 Worm wheel | TE22A365 | Polymer | Wear part |
| 34 | | 1 Washer | TE32B515 | Stainless steel | Spare part |

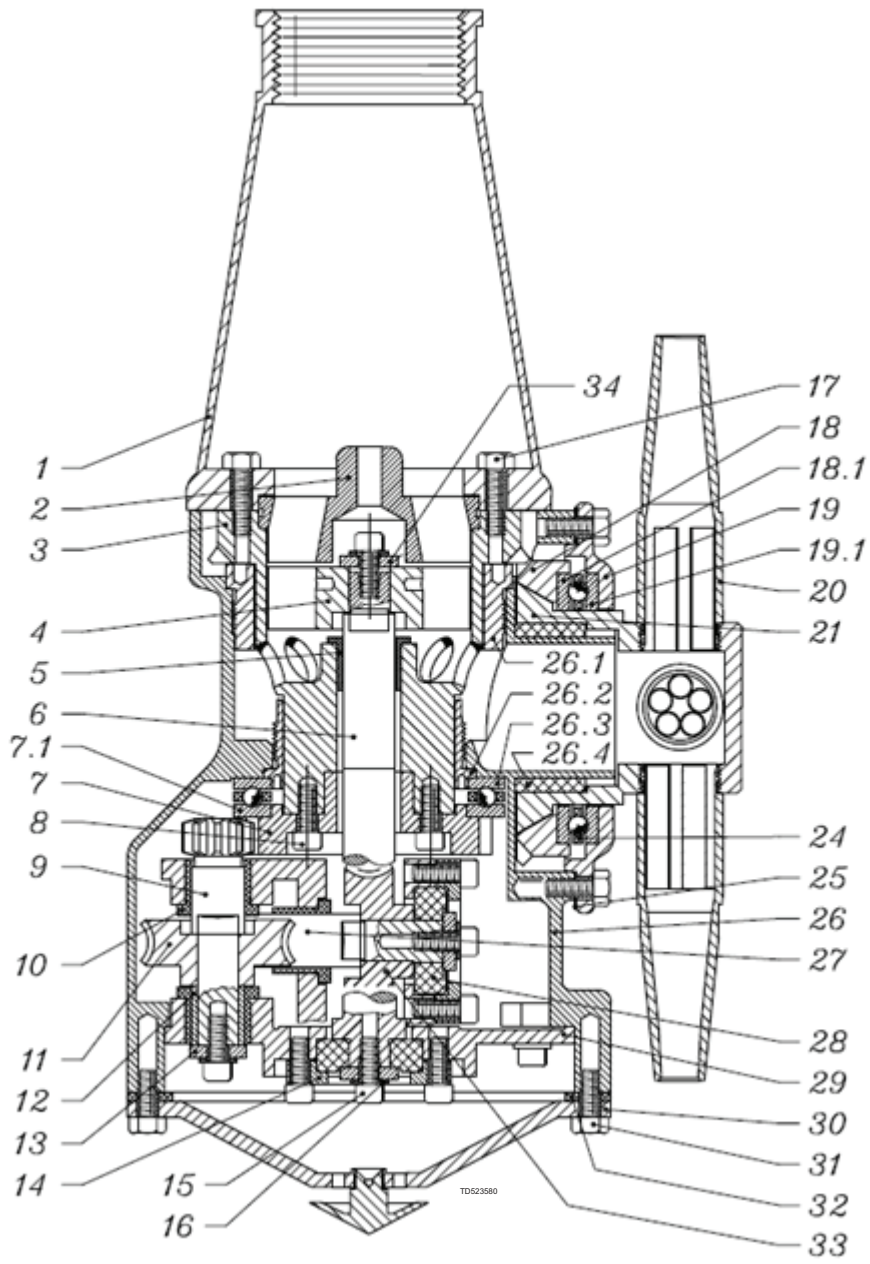
Service kits

- ◆ **Service Kit - machines delivered after December 27, 2010.**
From serial no. 1012-002 **TE32B299**

Parts marked with ◆ are included in the Service Kit TE32B299

¹⁾ Pos. 26 is not sold as single spare part component. Only sold as part of a machine maintenance/repair order. For further information please contact Alfa Laval Customer Support.

Configuration according to delivery note/order.



| Pos | Qty | Denomination | Item no. | Material | Remark |
|---|--------------------------|--------------------------------------|----------|--------------------------|------------|
| Part List - Alfa Laval Rotary Jet Mixer IM 20 with 4 nozzles | | | | | |
| 1 | <input type="checkbox"/> | 1 Top cone, 2" BSP | TE22D500 | Stainless steel | Spare part |
| | <input type="checkbox"/> | 1 Top cone, 2" NPT | TE22D501 | Stainless steel | Spare part |
| 2 | <input type="checkbox"/> | 1 Guide, 100% | TE603 | Stainless steel | Spare part |
| | <input type="checkbox"/> | 1 Guide ring, 0% | TE1030 | Stainless steel | Spare part |
| 3 | | 1 Stem | TE32B526 | Stainless steel | Spare part |
| 4 | | 1 Impeller, 100% | TE32B508 | Stainless steel | Spare part |
| 5 | ♦ | 1 Main bush | TE32B576 | Polymer | Wear part |
| 6 | ♦ | 1 Turbine shaft | TE32B511 | Stainless steel | Wear part |
| 7 | | 1 Gear wheel w. ball race | TE32B303 | Stainless steel | Spare part |
| 7.1 | ♦ | 1 Ball race | TE32B510 | Stainless steel | Wear part |
| 8 | | 6 Screw | TE120 | Stainless steel | Spare part |
| 9 | | 1 Pinion | TE114 | Stainless steel | Spare part |
| 10 | ♦ | 3 Collar bush | TE22A586 | Polymer | Wear part |
| 11 | <input type="checkbox"/> | 1 Worm wheel, w. reinforcement | TE22A365 | Polymer | Wear part |
| | <input type="checkbox"/> | 1 Worm wheel, E-gear | TE22A364 | Polymer | Wear part |
| 12 | | 1 Journal | TE117 | Stainless steel | Spare part |
| 13 | | 3 Washer | TE619A | Stainless steel | Spare part |
| 14 | | 2 Bearing cover | TE531 | Stainless steel | Spare part |
| 15 | | 17 Screw | TE118 | Stainless steel | Spare part |
| 16 | | 9 Spring washer | TE156 | Stainless steel | Spare part |
| 17 | | 8 Screw | TE902H | Stainless steel | Spare part |
| 18 | | 1 Bevel gear with ball race | TE32B307 | Stainless steel | Spare part |
| 18.1 | ♦ | 1 Ball race | TE32B510 | Stainless steel | Wear part |
| 19 | | 1 Hub cover with ball race | TE32B306 | Stainless steel | Spare part |
| 19.1 | ♦ | 1 Ball race | TE32B510 | Stainless steel | Wear part |
| 20 | <input type="checkbox"/> | 4 Nozzle, ø8 | TE50B008 | Stainless steel | Spare part |
| | <input type="checkbox"/> | 4 Nozzle, ø9 | TE50B009 | Stainless steel | Spare part |
| | <input type="checkbox"/> | 4 Nozzle, ø10 | TE50B010 | Stainless steel | Spare part |
| | <input type="checkbox"/> | 4 Nozzle, ø11 | TE50B011 | Stainless steel | Spare part |
| 21 | | 1 Hub for 4 nozzle | TE32B536 | Stainless steel | Spare part |
| 24 | ♦ | 2 Ball retainer with balls | TE32B302 | Polymer/ceram-ics | Wear part |
| 25 | | 1 Hub gasket | TE22D553 | Polymer/Elas-tomer | Spare part |
| 26 | | 1 Body ¹⁾ | | Stainless steel | N/A |
| 26.1 | | 1 Main collar upper | TE32B577 | Polymer | Wear part |
| 26.2 | | 1 Main collar lower | TE32B578 | Polymer | Wear part |
| 26.3 | ♦ | 1 Ball race | TE32B510 | Stainless steel | Wear part |
| 26.4 | | 1 Hub collar | TE32B575 | Polymer | Wear part |
| 27 | <input type="checkbox"/> | 1 Horizontal shaft | TE128Z | Stainless steel | Wear part |
| | <input type="checkbox"/> | 1 Horizontal shaft, E-gear | TE128E | Stainless steel | Wear part |
| 28 | ♦ | 2 Slide bearing | TE22A571 | Polymer | Wear part |
| 29 | | 1 Gear frame | TE630 | Stainless steel | Spare part |
| 30 | | 1 Bottom cover, compl. | TE32B350 | Stainless steel | Spare part |
| 31 | | 12 Screw | TE421H | Stainless steel | Spare part |
| 32 | | 1 Bottom gasket | TE22D554 | Polymer/Elas-tomer | Spare part |
| 33 | ♦ | 1 Worm wheel, w. reinforcement | TE22A365 | Polymer/Stain-less steel | Wear part |
| 34 | | 1 Washer | TE32B515 | Stainless steel | Spare part |

Service kits

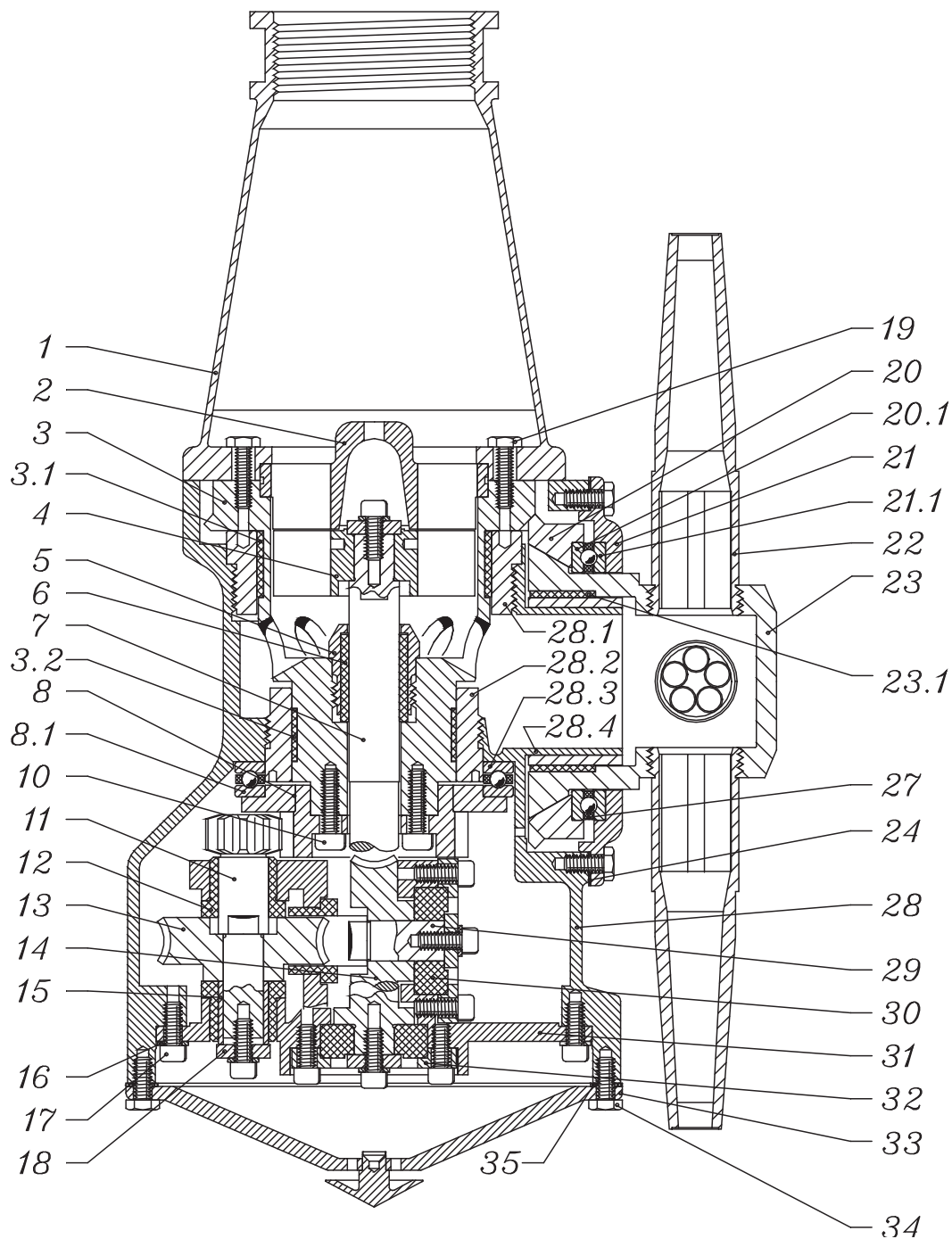
- ♦ **Service Kit - machines delivered after December 27, 2010.**
From serial no. 1012-002 TE32B299

Parts marked with ♦ are included in the Service Kit TE32B299

¹⁾ Pos. 26 is not sold as single spare part component. Only sold as part of a machine maintenance/repair order. For further information please contact Alfa Laval Customer Support.

Configuration according to delivery note/order.

Not manufactured anymore



| Pos | Qty | Denomination | Item no. | Material | Remark |
|---|--------------------------|---|-----------------------|------------------------------|------------|
| Rotary Jet Mixer IM 20 with 4 nozzles | | | | | |
| Machine design obsolete December 29, 2010 - serial numbers below 1012-002 | | | | | |
| 1 | <input type="checkbox"/> | 1 Top cone, 2" BSP | TE22D500 | Stainless steel | Spare part |
| | <input type="checkbox"/> | 1 Top cone, 2" NPT | TE22D501 | Stainless steel | Spare part |
| 2 | <input type="checkbox"/> | 1 Guide, 100% | TE603 | Stainless steel | Spare part |
| | <input type="checkbox"/> | 1 Guide ring, 0% | TE1030 | Stainless steel | Spare part |
| 3 | | 1 Stem w. liners | TE604Z | Stainless steel | Spare part |
| | | | | /Polymer | |
| 3.1 | | 1 Top liner | TE9041 ²⁾ | Polymer | Spare part |
| 3.2 | | 1 Bottom liner | TEB6042 ²⁾ | Polymer | Spare part |
| 4 | | 1 Impeller, 100% | TE32B508 | Stainless steel | Spare part |
| 5 | | 1 Gland | TE608Z | Stainless steel | Spare part |
| 6 | ☉ | 1 Main bush | TE22B576 | Polymer | Wear part |
| 7 | ☉ | 1 Turbine shaft | TE32B511 | Stainless steel | Wear part |
| 8 | | 1 Gear wheel w. ball race | TE32B303 | Stainless steel | Spare part |
| 8.1 | ☉ | 1 Ball race | TE32B510 | Stainless steel | Wear part |
| 10 | | 6 Screw | TE120 | Stainless steel | Spare part |
| 11 | | 1 Pinion | TE114 | Stainless steel | Spare part |
| 12 | ☉ | 3 Collar bush | TE22A586 | Polymer | Wear part |
| 13 | ☉ | 1 Worm wheel w. reinforcement | TE22A365 | Polymer/Stain- less steel | Wear part |
| 14 | ☉ | 1 Worm wheel w. reinforcement | TE22A365 | Polymer/Stain- less steel | Wear part |
| 15 | | 1 Journal | TE117 | Stainless steel | Spare part |
| 16 | | 9 Spring washer | TE156 | Stainless steel | Spare part |
| 17 | | 17 Screw | TE118 | Stainless steel | Spare part |
| 18 | | 4 Washer | TE619A | Stainless steel | Spare part |
| 19 | | 8 Screw | TE902H | Stainless steel | Spare part |
| 20 | | 1 Bevel gear with ball race | TE32B307 | Stainless steel | Spare part |
| 20.1 | ☉ | 1 Ball race | TE32B510 | Stainless steel | Wear part |
| 21 | | 1 Hub cover with ball race | TE32B306 | Stainless steel | Spare part |
| 21.1 | ☉ | 1 Ball race | TE32B510 | Stainless steel | Wear part |
| 22 | <input type="checkbox"/> | 4 Nozzle, ø8 | TE50B008 | Stainless steel | Spare part |
| | <input type="checkbox"/> | 4 Nozzle, ø9 | TE50B009 | Stainless steel | Spare part |
| | <input type="checkbox"/> | 4 Nozzle, ø10 | TE50B010 | Stainless steel | Spare part |
| 23 | | 1 Hub w. liner | TE6244KZ | Stainless steel | Spare part |
| 23.1 | | 1 Hub liner | TE62411 ²⁾ | Polymer | Wear part |
| 24 | | 1 Hub gasket | TE22D553 | Polymer/Elas- tomer | Spare part |
| 27 | ☉ | 2 Ball retainer with balls | TE32B302 | Polymer/ceram- ics | Wear part |
| 28 | | 1 Body with bearings ¹ | | Stainless steel | N/A |
| 28.1 | | 1 Main collar upper | TE127Z1 | Stainless steel | Wear part |
| 28.2 | | 1 Main collar lower | TE127Z2 | Stainless steel | Wear part |
| 28.3 | ☉ | 1 Ball race | TE32B510 | Stainless steel | Wear part |
| 28.4 | | 1 Hub collar | TE1273 | Stainless steel | Wear part |
| 29 | ☉ | 1 Horizontal shaft | TE128Z | Stainless steel | Wear part |
| 30 | ☉ | 2 Slide bearing | TE22A571 | Polymer | Wear part |
| 31 | | 1 Gear frame | TE630 | Stainless steel | Spare part |
| 32 | | 2 Bearing cover | TE531 | Stainless steel | Spare part |
| 33 | | 1 Bottom cover, compl. | TE22D350 | Stainless steel | Spare part |
| 34 | | 12 Screw | TE421H | Stainless steel | Spare part |
| 35 | | 1 Bottom gasket | TE22D554 | Polymer/Elas- tomer | Spare part |

Service kits

☉ **Service Kit - machines delivered before December 29, 2010 9614462201**

Parts marked with ☉ are included in the Service Kit 9614462201

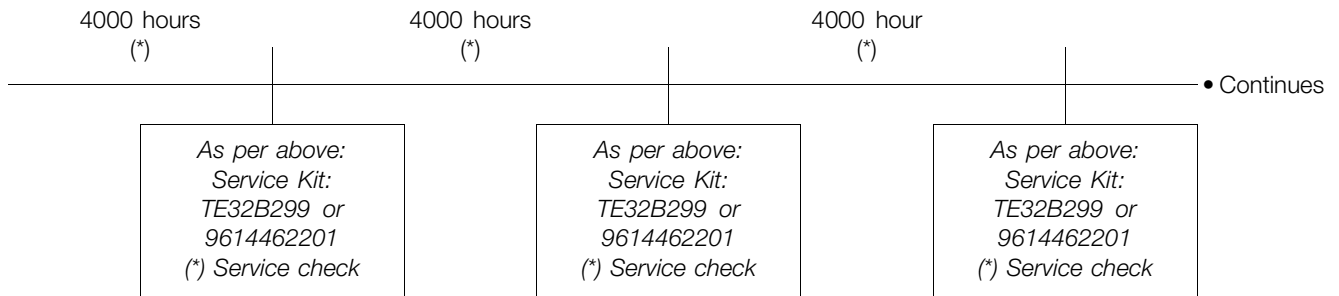
¹⁾ Pos. 28 is not sold as single spare part component. Only sold as part of a machine maintenance/repair order. For further information please contact Alfa Laval Customer Support.

²⁾ If blue liners on Stem or blue liner on Hub are extremely worn, they can be replaced. This part requires that a precise procedure is followed to accomplish installation. It is highly recommended that an Authorized Alfa Laval Service Partner perform the replacement when necessary. Alternatively, it is possible to buy both Stem with liner and Hub with liner mounted.

Configuration according to delivery note/order.

3 Service intervals and tools

Service intervals



***Note:** The service intervals are recommended on the basis of pure liquids. When liquids contain particles and other kind of abrasives, we recommend shorter service intervals depending on the actual running conditions.

Tool kit

Standard Tool kit for IM 20 Rotary Jet Mixer, article no. TE81B075

| Tool No. | Description | No. |
|----------|-----------------------|--------|
| TE134 | Unbraco key for screw | 1 pcs. |
| TE134A | Unbraco Screwdriver | 1 pcs. |
| TE135 | Unbraco key for screw | 1 pcs. |
| TE135A | Unbraco screw driver | 1 pcs. |
| TE462 | Open-end spanner | 1 pcs. |

Available on request:

| Tool No. | Description |
|----------|---------------------------|
| TE81B031 | Pusher for Gear frame |
| TE81B032 | Fixture set f. Gear frame |

How to contact Alfa Laval

Contact details for all countries are continually updated on our website.

Please visit www.alfalaval.com to access the information directly.

© Alfa Laval Corporate AB

This document and its contents is owned by Alfa Laval Corporate AB and protected by laws governing intellectual property and thereto related rights. It is the responsibility of the user of this document to comply with all applicable intellectual property laws. Without limiting any rights related to this document, no part of this document may be copied, reproduced or transmitted in any form or by any means (electronic, mechanical, photocopying, recording, or otherwise), or for any purpose, without the expressed permission of Alfa Laval Corporate AB. Alfa Laval Corporate AB will enforce its rights related to this document to the fullest extent of the law, including the seeking of criminal prosecution.